

## STANDARD P

from typical technical solutions album of Technosonus and NIISF  
version TS/01.2020/RD/S/R4 type S-4.1

### components:

ThermoZvukolzol sound insulation mat  
PPN 27/28 AcousticGyps reinforced profile  
PP 60/27 AcousticGyps reinforced profile  
Sonokrep vibrohanger  
One-level connector (crab) for PP 60/27 AcousticGyps  
AcousticGyps extender for PP 60/27  
V-100 vibrodamping tape  
Sealing tape  
Sonoplat tape  
AcousticGyps GKLZ 12.5 mm  
Sonoplat panels 12 mm  
StopZvuk BP/Eco sound-absorbing board  
TS-DG 6/60 Dowel pin · Vibrowasher  
TS-XTN 3.9x25, TS-XTN 3.9x38, TS-MM 4.2-13 self-tapping screws  
Sonetik vibroacoustic sealant · Bautger glue



SYSTEM  
THICKNESS

**68,5 mm**



AIRBORNE NOISE  
REDUCTION

**Rw = 62-65 dB**

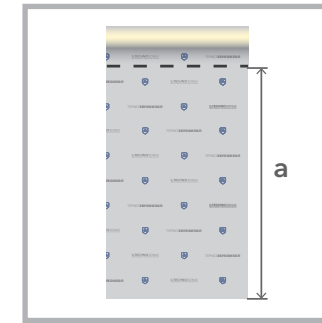
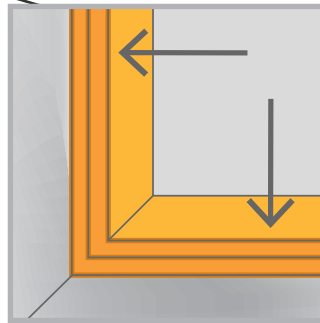
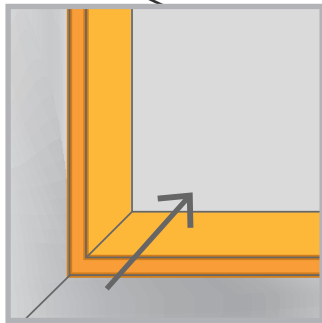
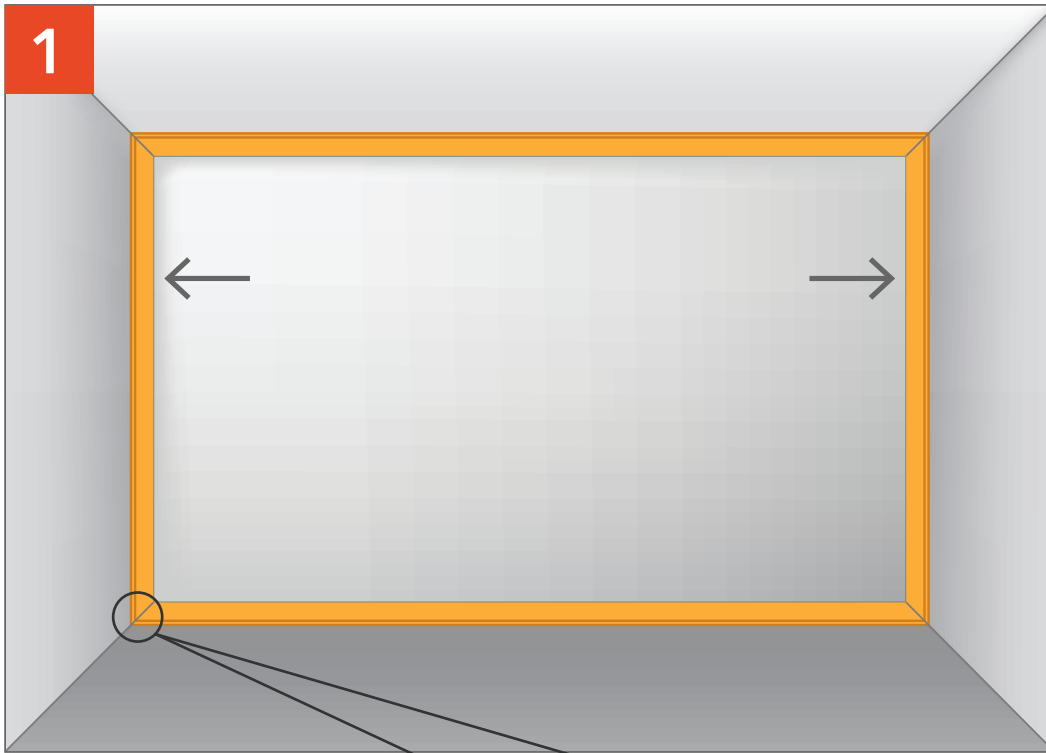


SOUND INSULATION  
ADDITION

**▲ Rw = 17-15 dB**

*Second level sound insulation system. For use in multi-apartment residential buildings of higher comfort level, hotels, hospitals, sanatoriums, etc.*



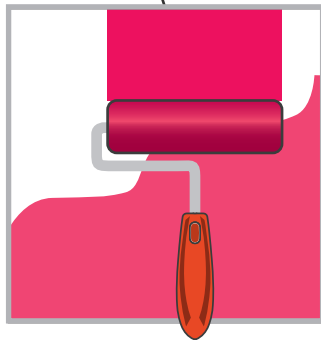
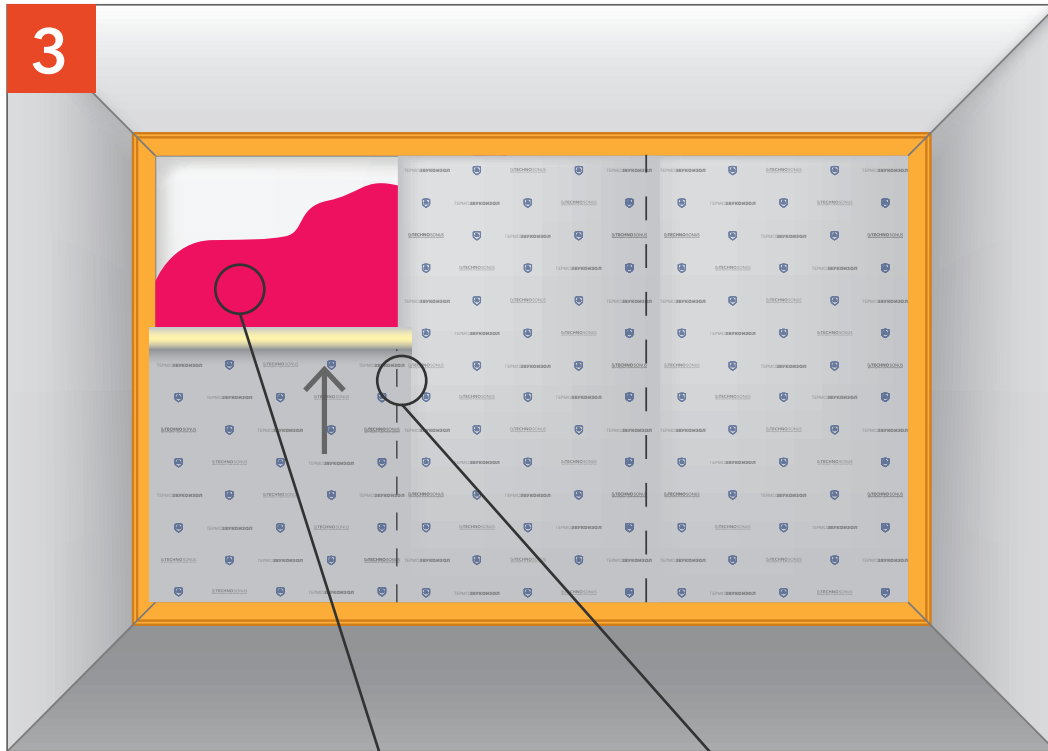


Glue perimeter of the wall with StopZvuk V100 tape using Sonetik sealant or Bautger glue.

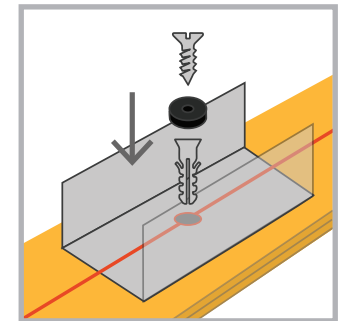
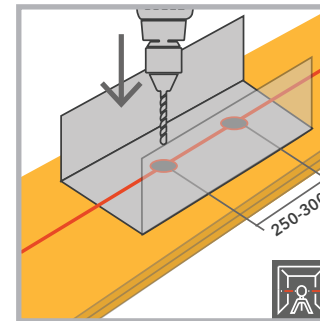
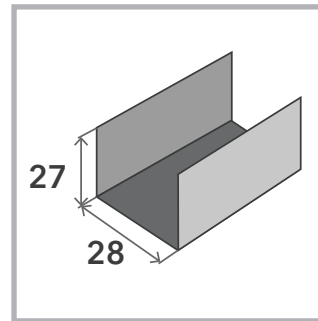
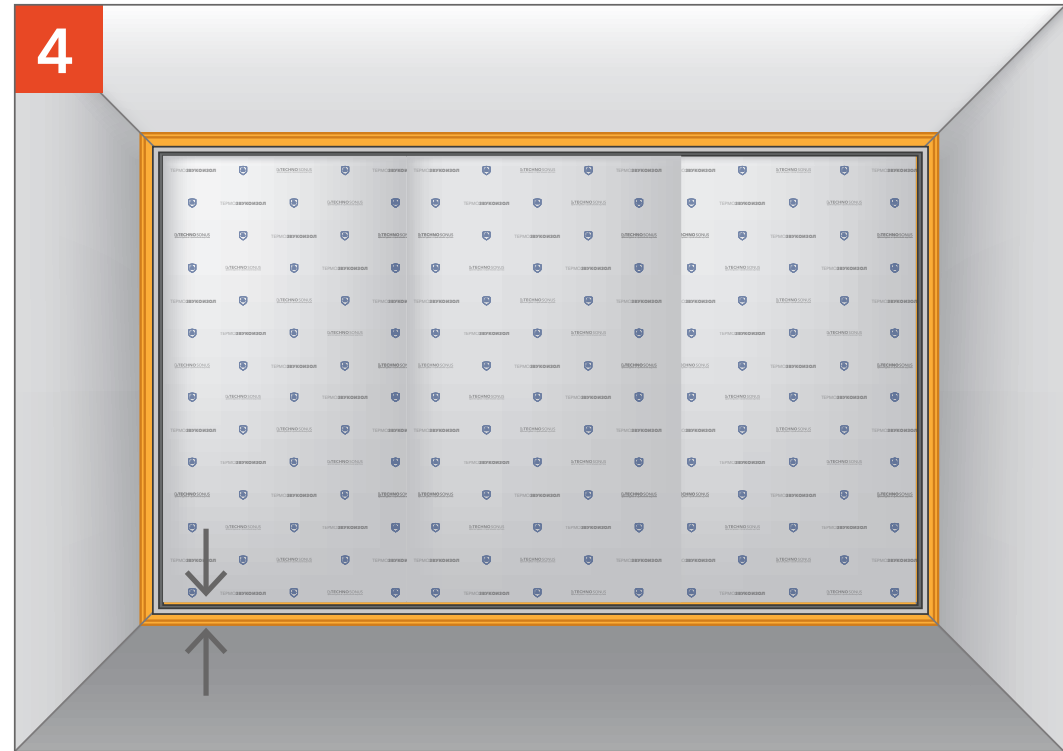
Measure out ThermoZvukolzol.

## STANDARD P WALL SOUND INSULATION

# STANDARD P WALL SOUND INSULATION

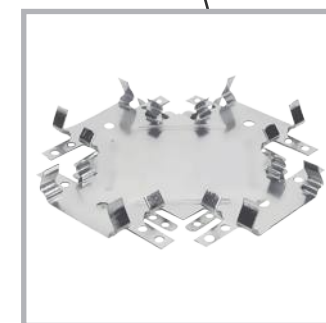
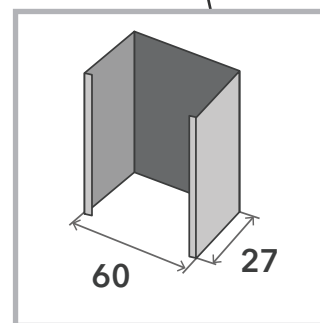
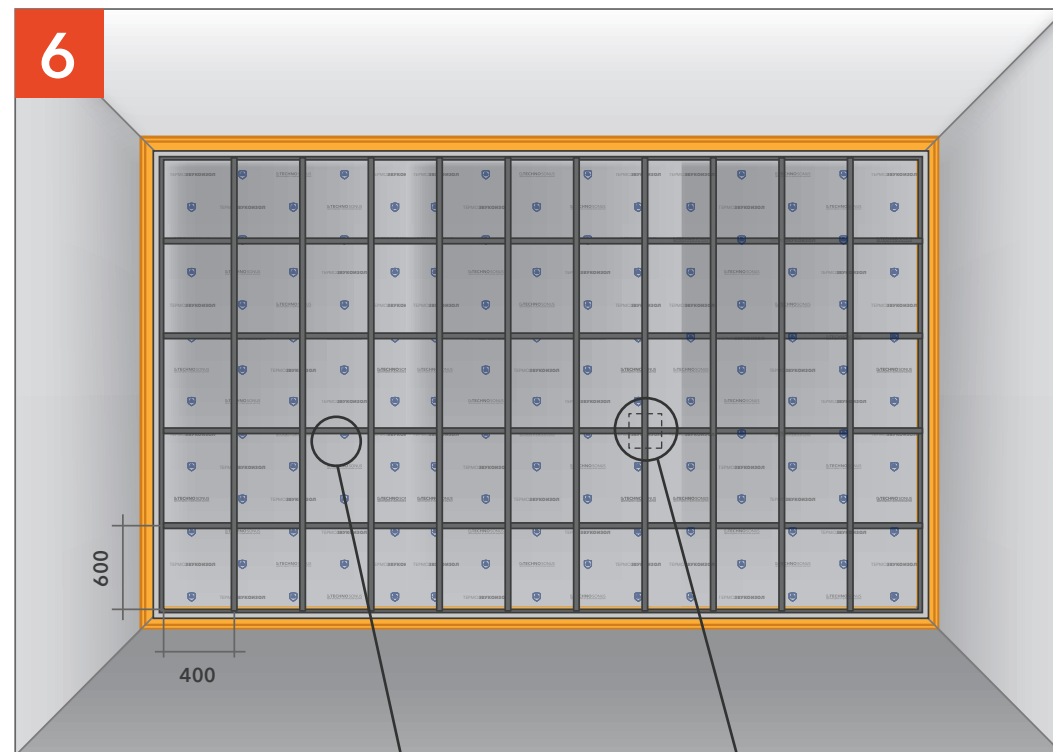
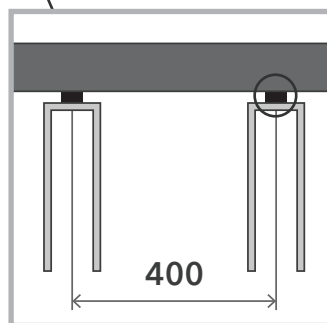
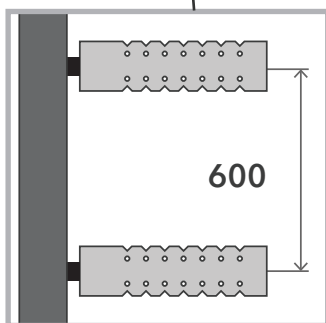
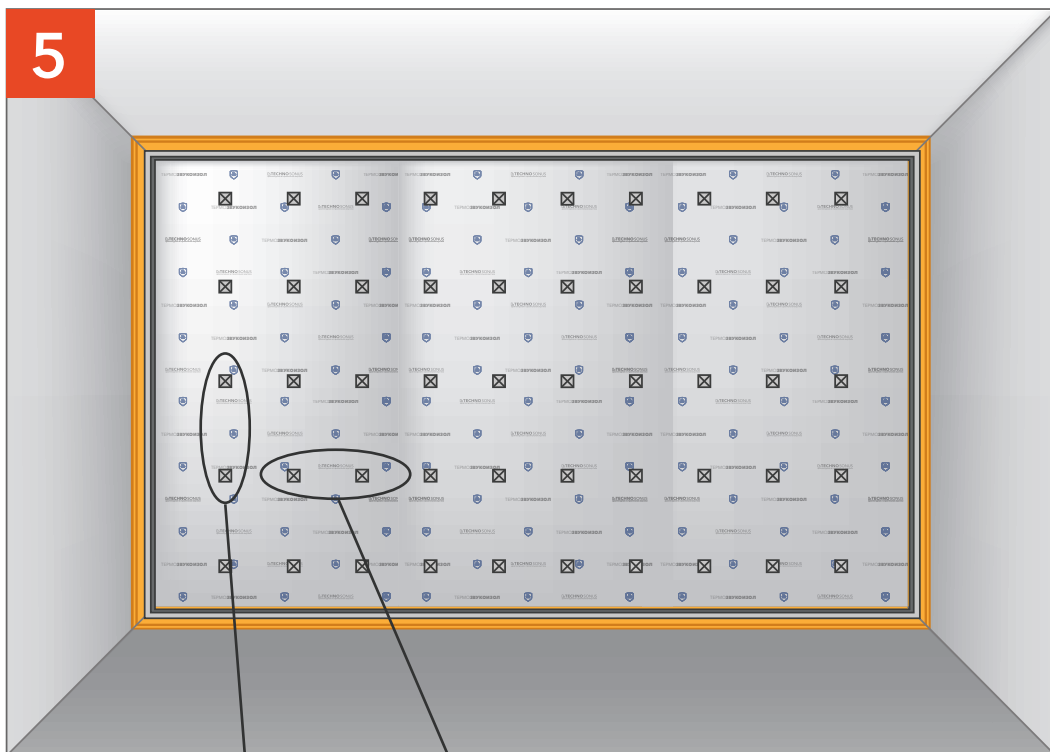


5-10 cm



Glue ThermoZvukolzol using Bautger glue.

Fix PN guide profile through StopZvuk V100 tape with 250-300 mm pitch.

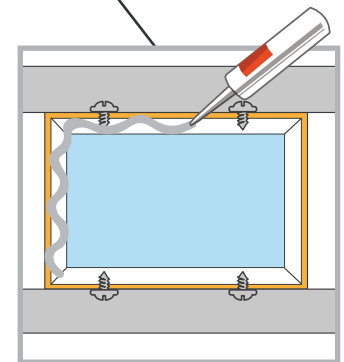
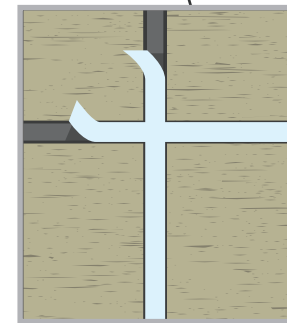
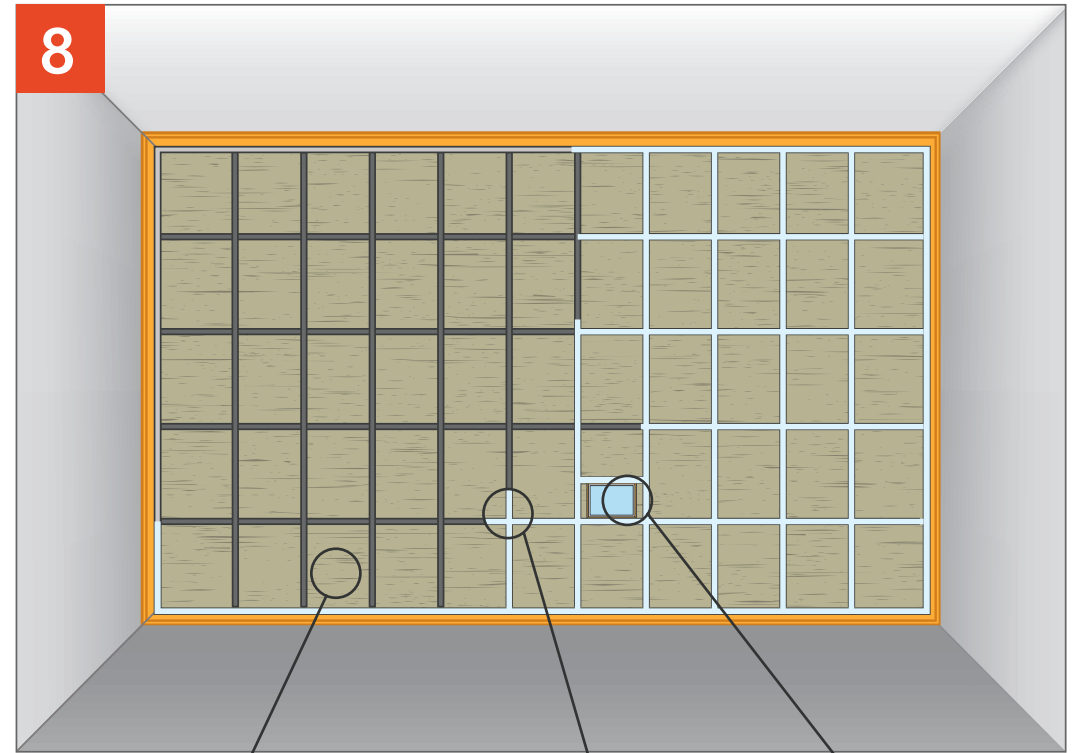
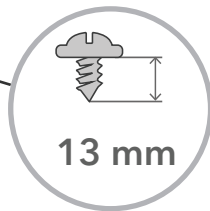
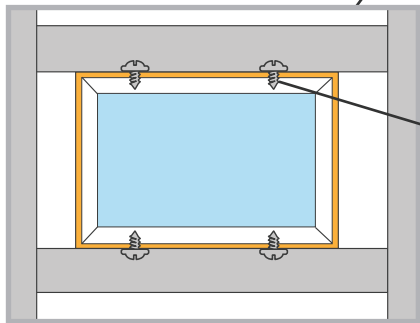
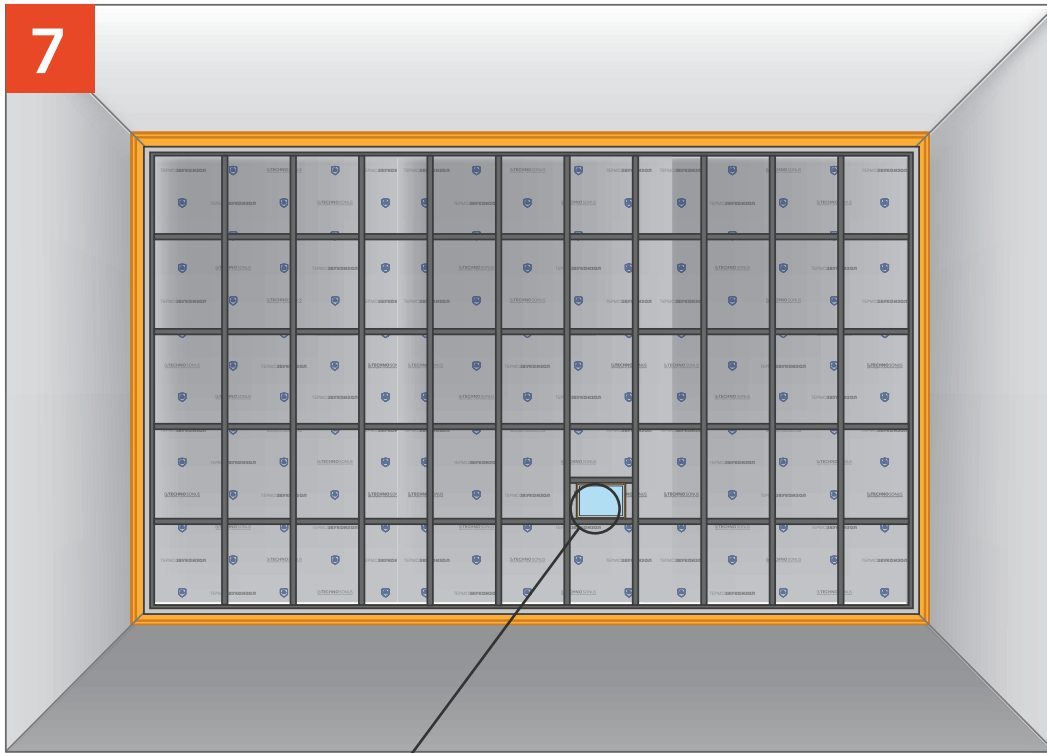


Fix Sonokrep vibrohangars with step 400 horizontally and 600 vertically.

Fasten PP profile to vibrohangars and connect them together using a single-level connector (crab).

## STANDARD P WALL SOUND INSULATION

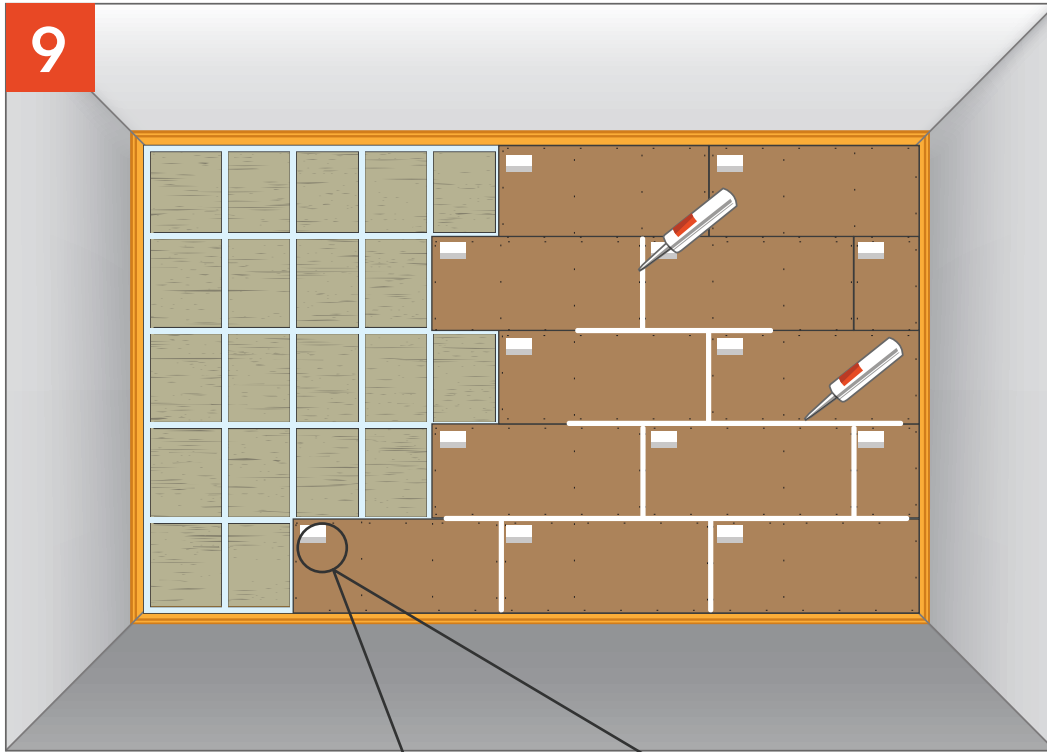
# STANDARD P WALL SOUND INSULATION



Mount AcousticGypsum Outlet Box in a prepared profile frame.

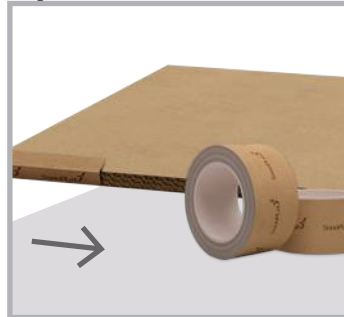
Glue damper tape on the surface of the profile, fill the space with StopZvuk BP boards.

9

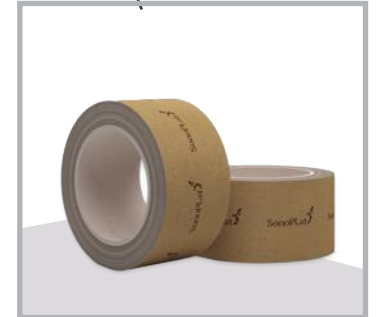
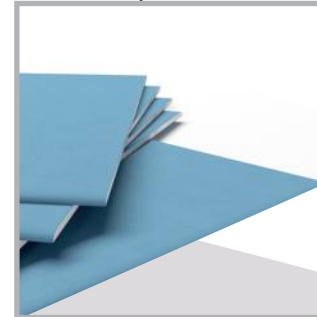
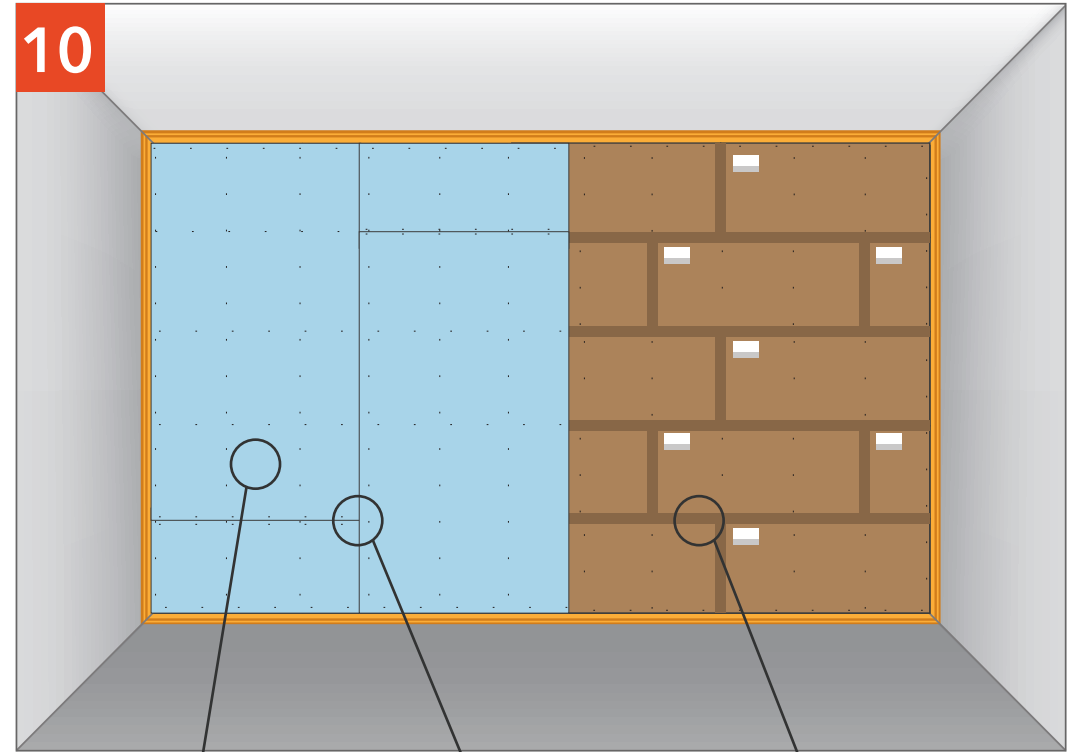


**Sonoplat Standard**  
mount horizontally.

**Sonoplat Standard+**  
mount vertically.



10



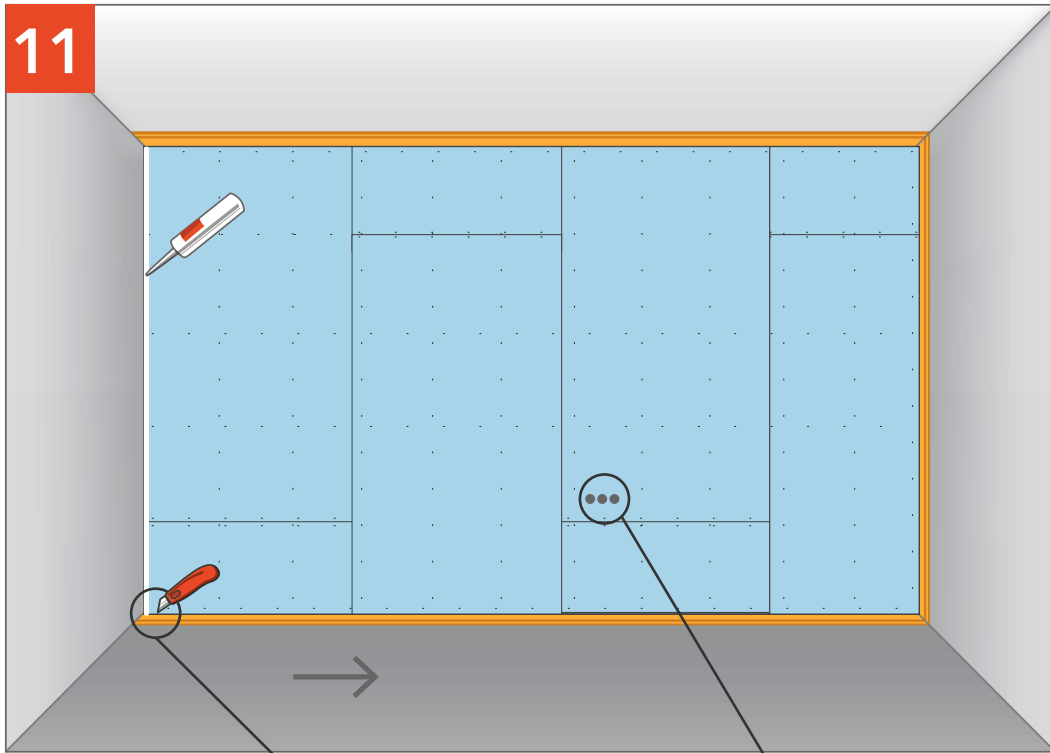
Mount Sonoplat panels with filling the joints with Sonetik vibroacoustic sealant.

Cover seams between Sonoplat panels with Sonoplat adhesive tape, mount a layer of AcousticGyps GKLZ.

# STANDARD P WALL SOUND INSULATION

# STANDARD P WALL SOUND INSULATION

11



---

---

---

---

---

---

---

---

---

---

---

---

---

---

---

---

---

---

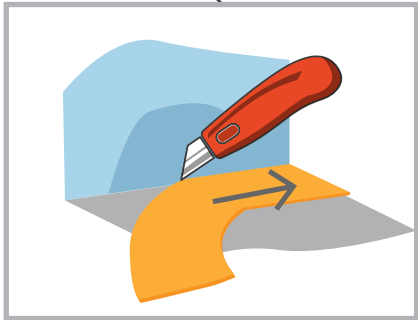
---

---

---

---

---



Remove excess of StopZvuk V100 tape and seal the perimeter with Sonetik sealant.