

# PARTITION SOUND INSULATION

## STANDARD P

ON SINGLE FRAME

from typical technical solutions album of Technosonus and NIISF  
version TS/01.2020/RD/S/R4 type S-4.1

### комплектующие:

- PN 50/40 AcousticGyps reinforced profile
- PS 50/50 AcousticGyps reinforced profile
- V-100 vibrodamping tape
- DB sealing tape
- Sonoplat tape · Sonoplat panels
- AcousticGyps GKLZ 12.5 mm
- StopZvuk BP/Eco sound-absorbing board
- TS-DG 6/60 Dowel pin · Vibrowasher
- 3.9x23, 3.9x38, TS-MM 4.2-13 self-tapping screws
- Sonetik vibroacoustic sealant
- Bautger glue



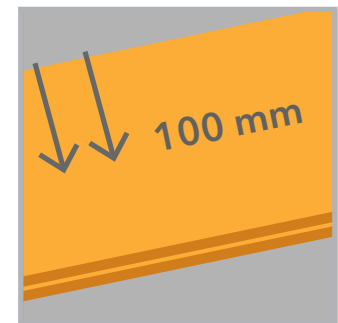
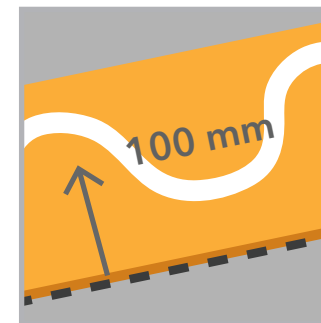
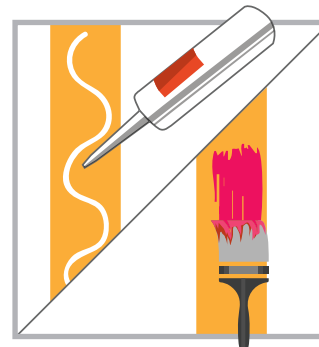
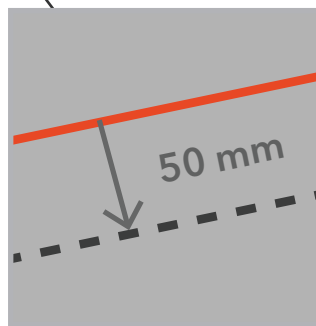
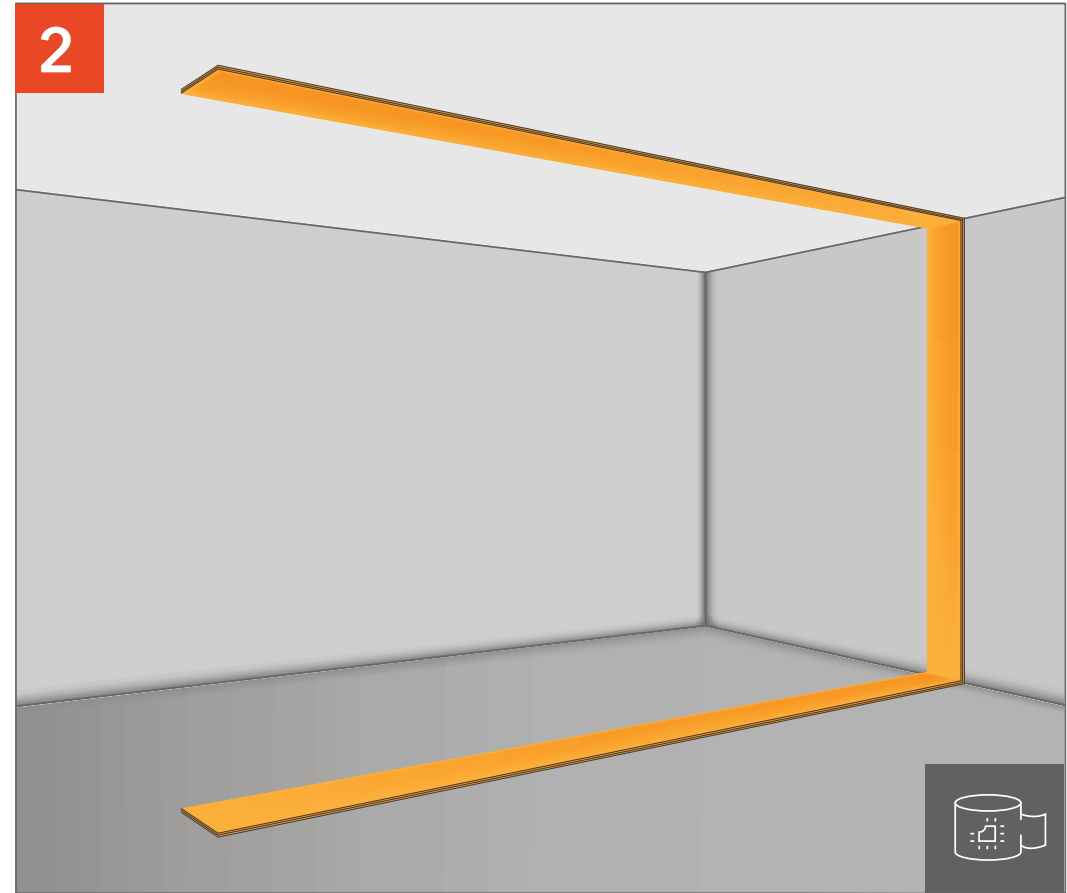
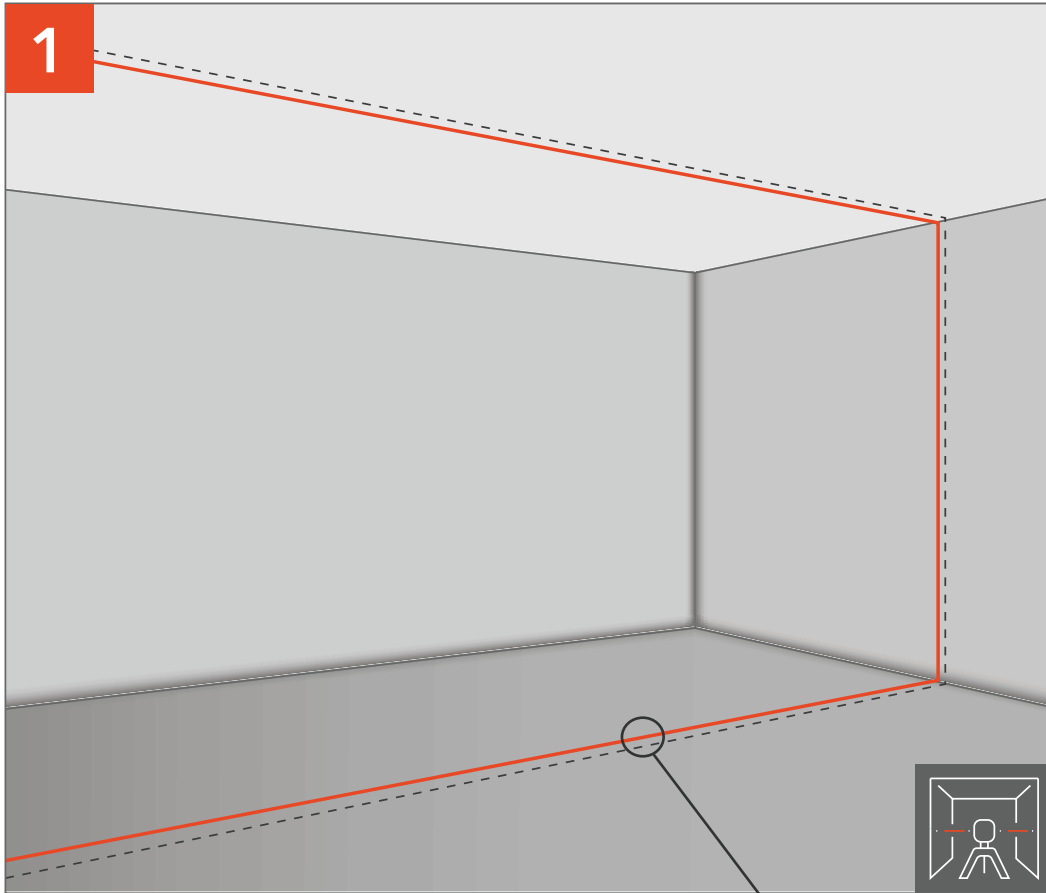
SYSTEM  
THICKNESS  
**103 mm**



AIRBORNE NOISE  
REDUCTION  
**Rw = 56 dB**

The most common and popular system for insulating two premises from each other. For use in multi-apartment residential buildings of higher comfort level, hotels, cabinets, meeting rooms, etc. Provides acoustic comfort of the premise by protection from domestic airborne noise.



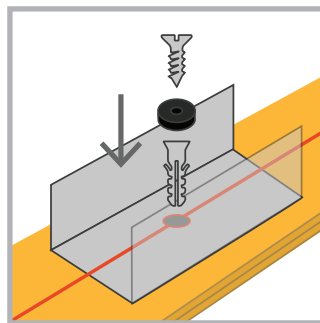
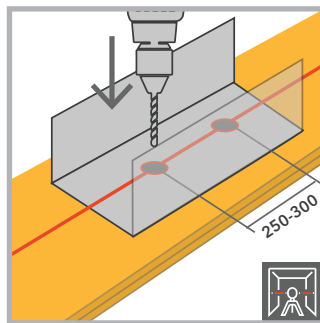
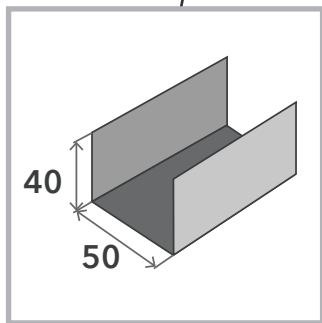
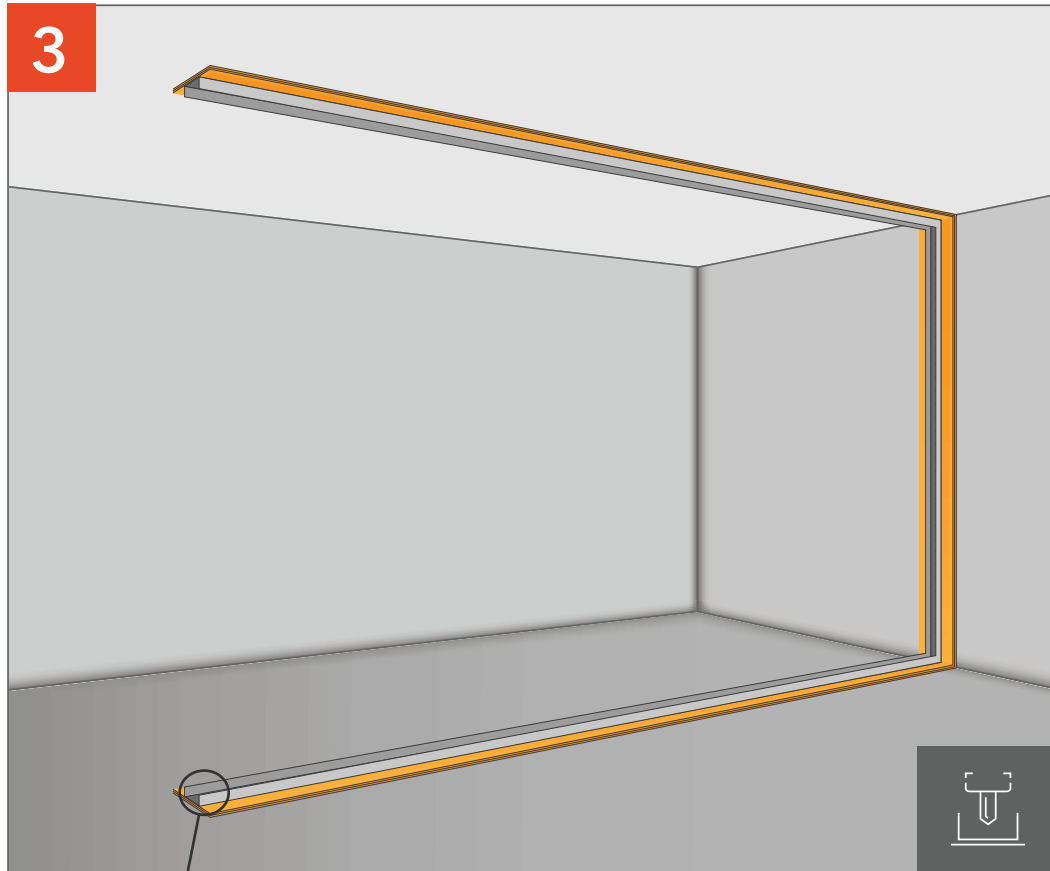


Mark the center line of the partition.

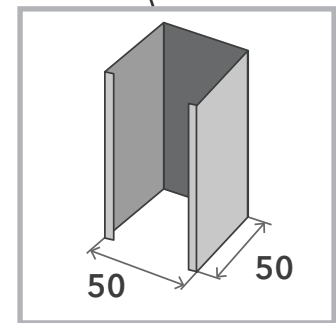
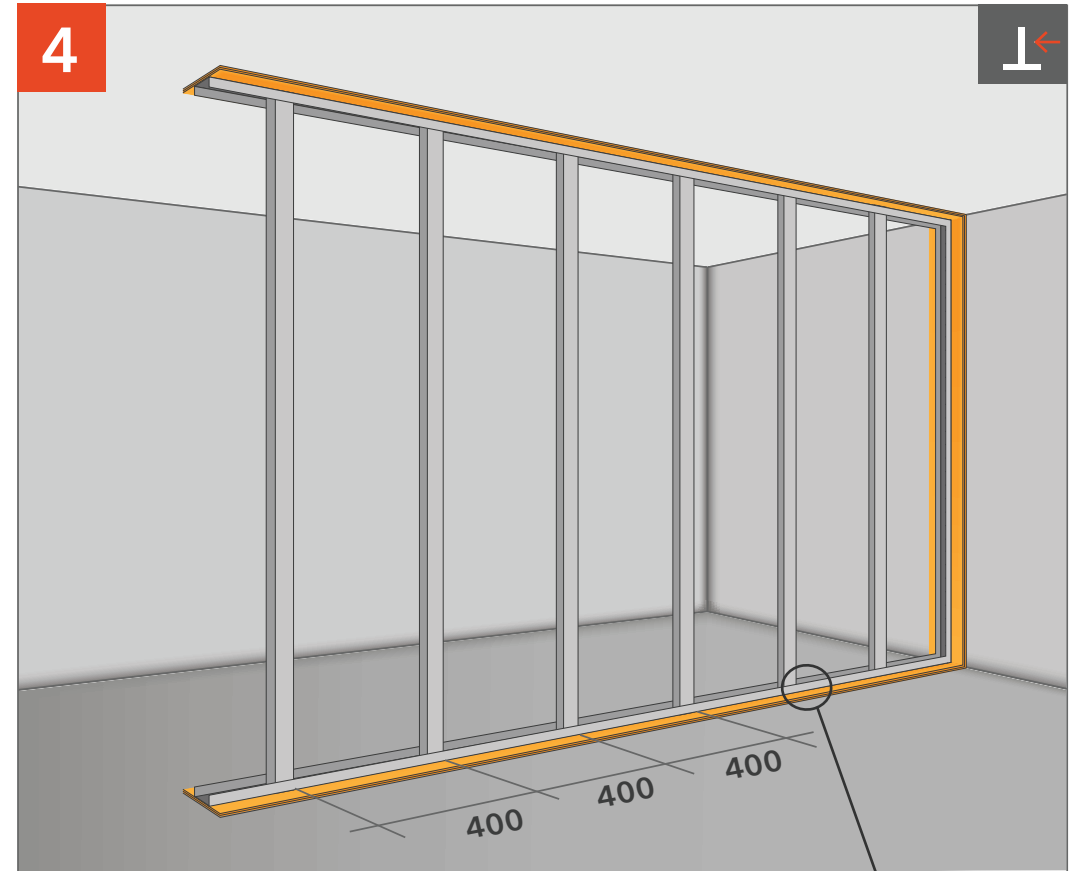
Glue StopZvuk V100 tape using Sonetik vibroacoustic sealant or Bautger glue.

## STANDARD P PARTITION SOUND INSULATION

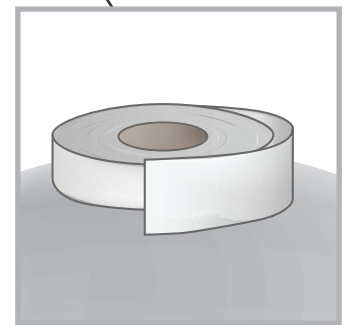
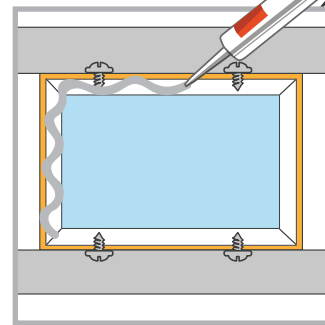
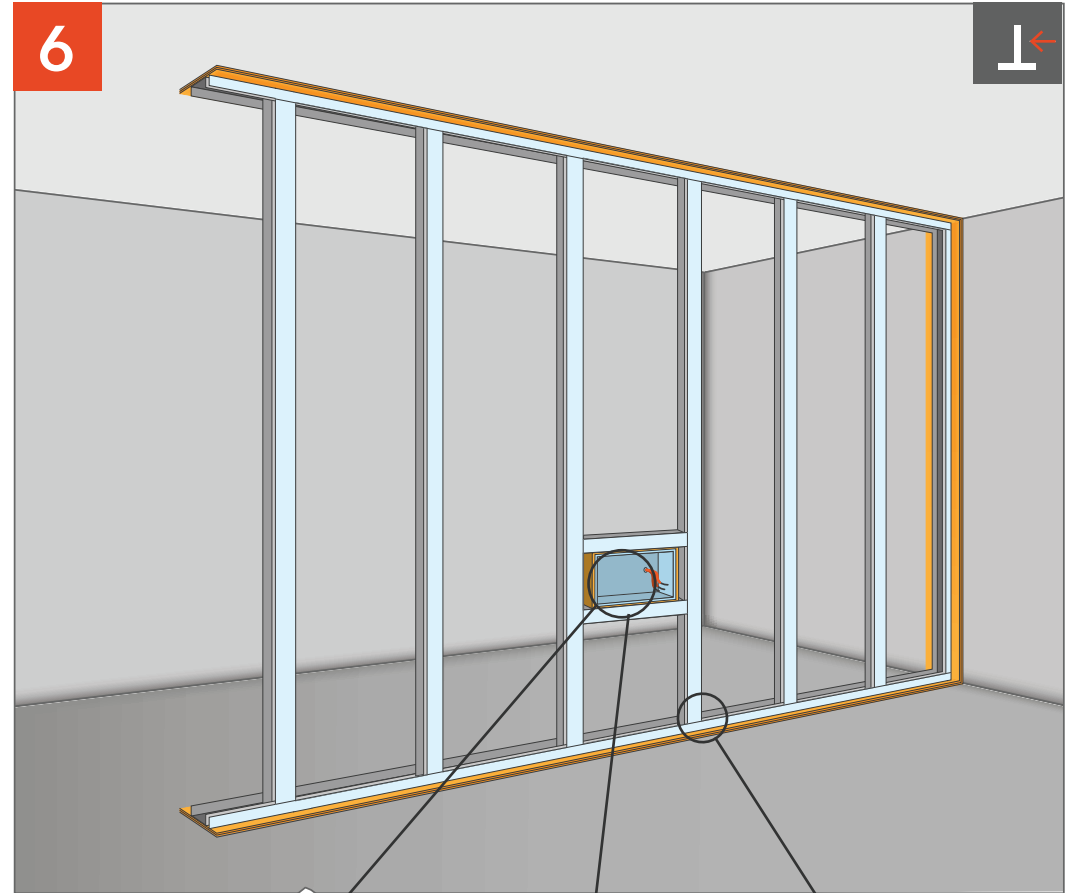
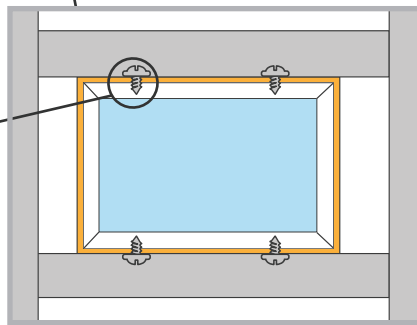
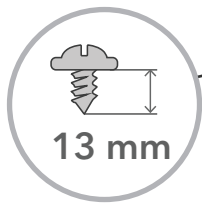
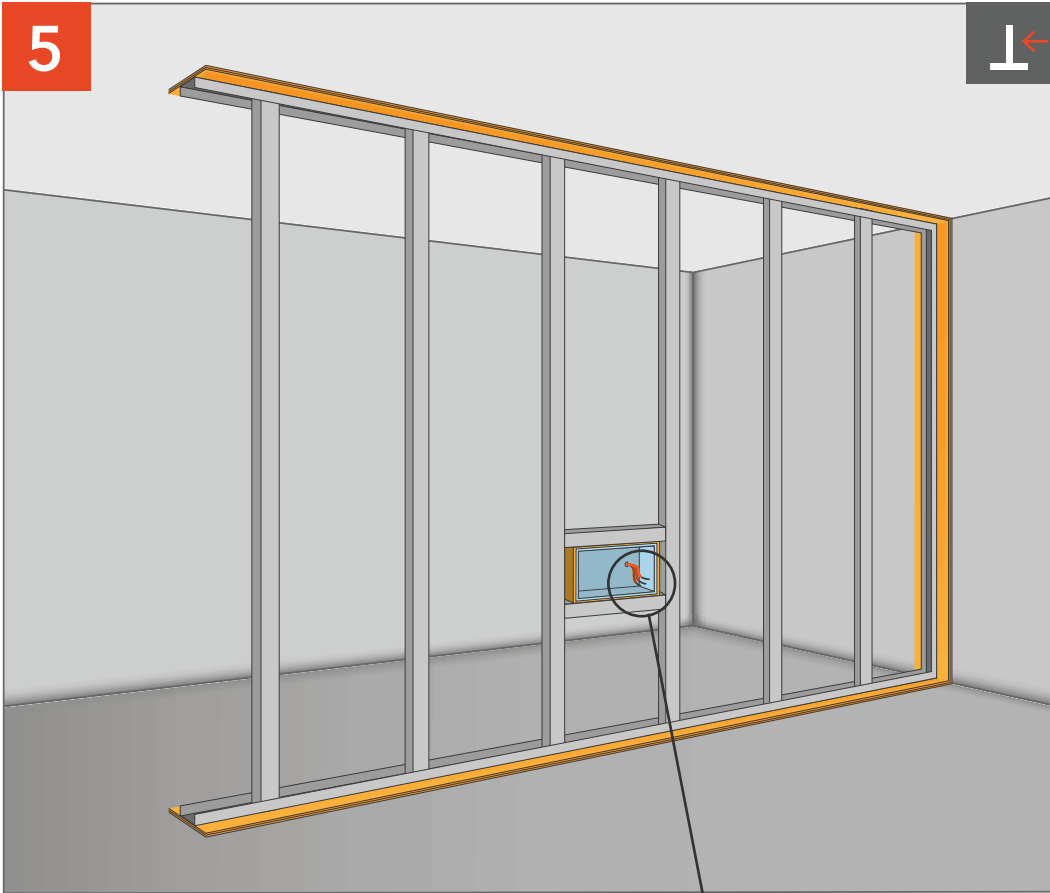
# STANDARD P PARTITION SOUND INSULATION



Fasten PN profile with 250-300 mm pitch between the dowel pins.



Mount PS profile with 400 mm pitch.

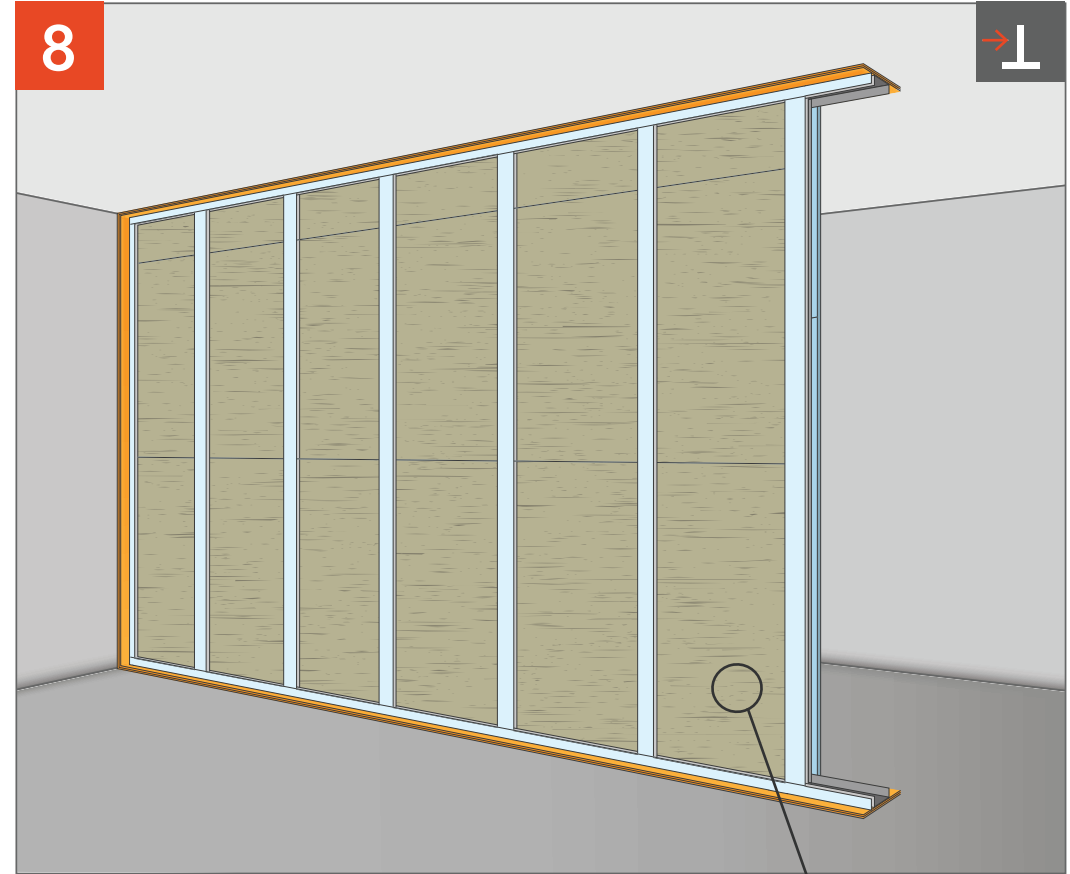
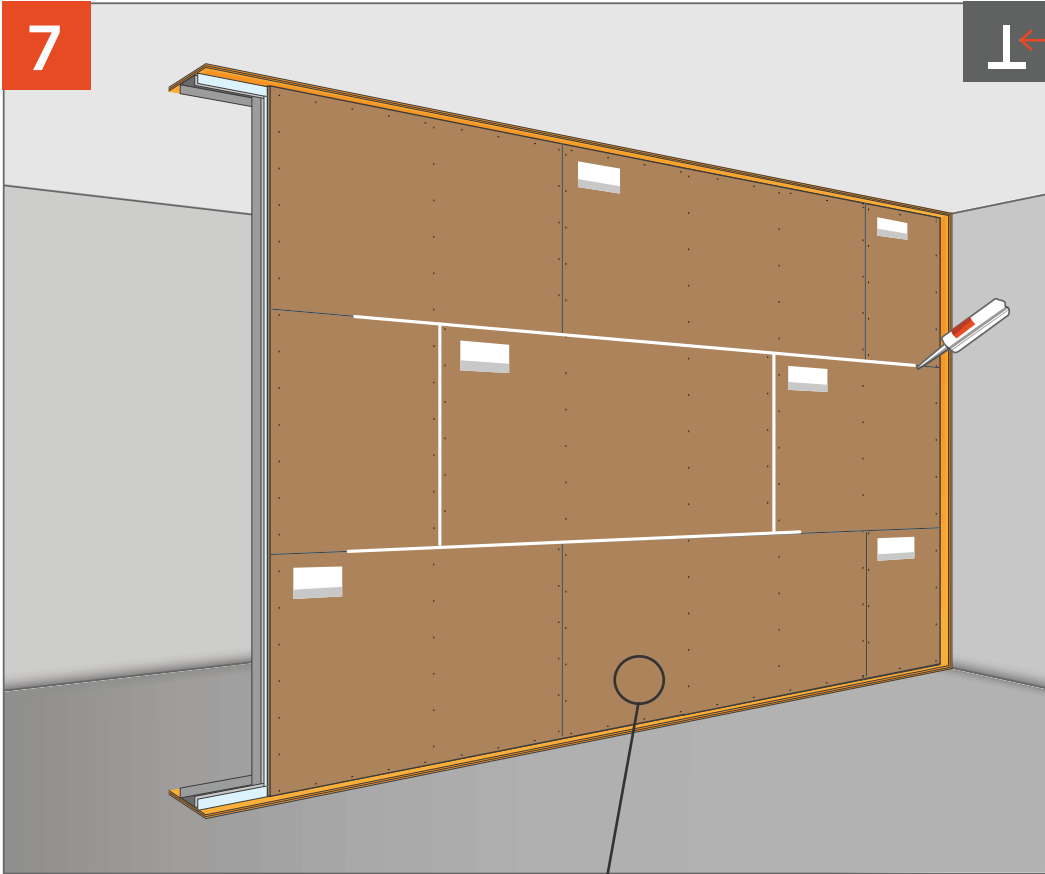


Mount AcousticGypsum Outlet Box in a prepared profile frame.

Glue the frame with damper tape.  
Apply Sonetik vibroacoustic sealant to the surface of the outlet box.

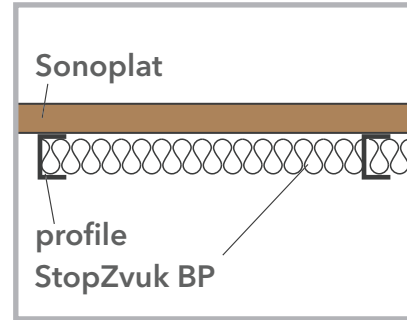
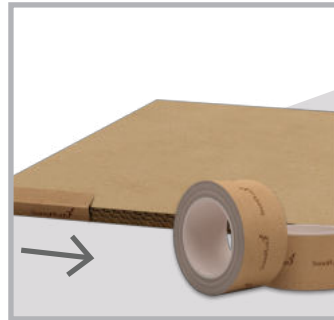
## STANDARD P PARTITION SOUND INSULATION

# STANDARD P PARTITION SOUND INSULATION



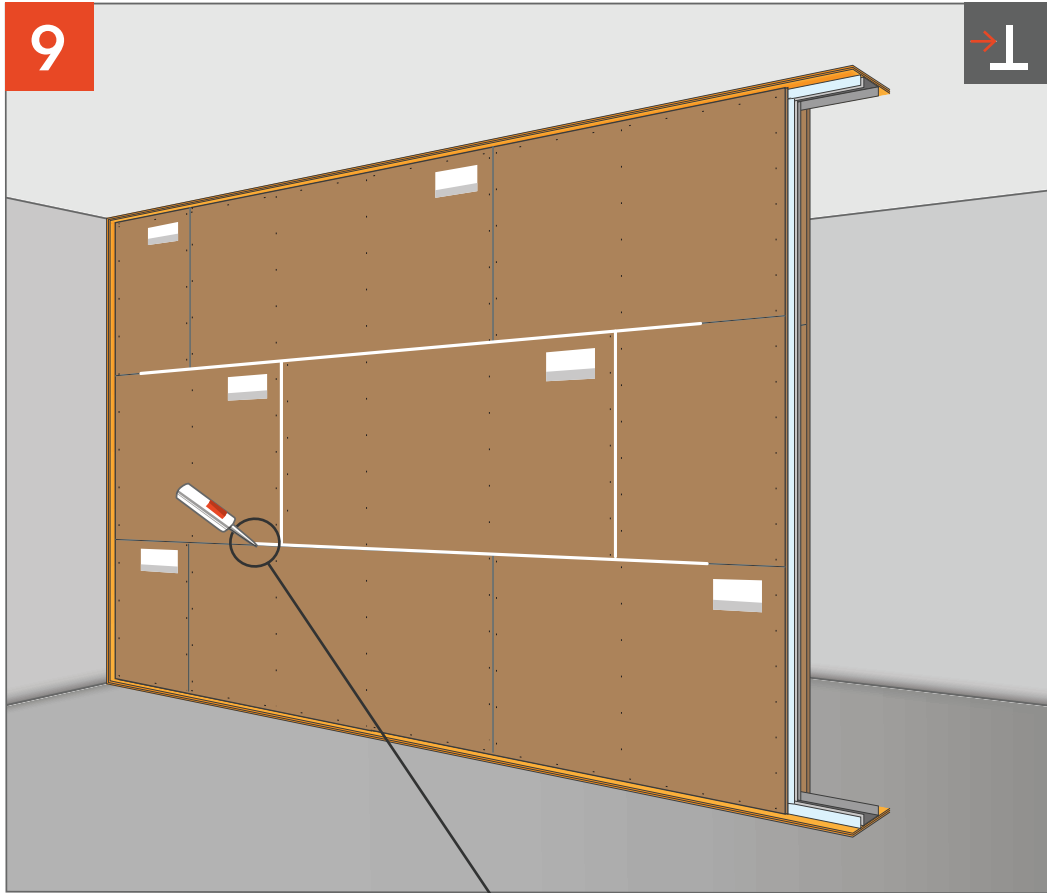
**Sonoplat Standard**  
mount  
horizontally.

**Sonoplat Standard**  
mount  
vertically.

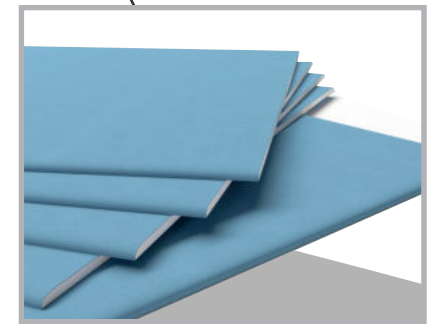
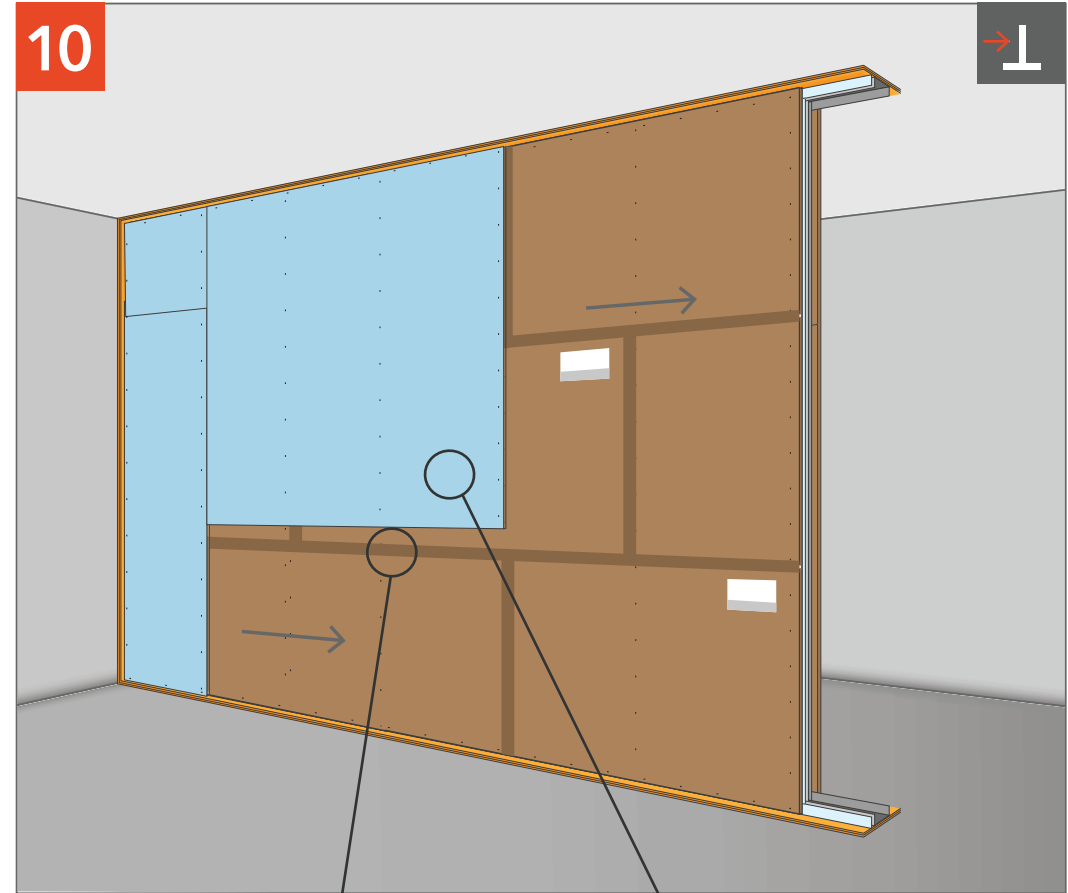


Mount Sonoplat panels with filling the joints with Sonetik vibroacoustic sealant.

Fill the frame with StopZvuk BP boards.



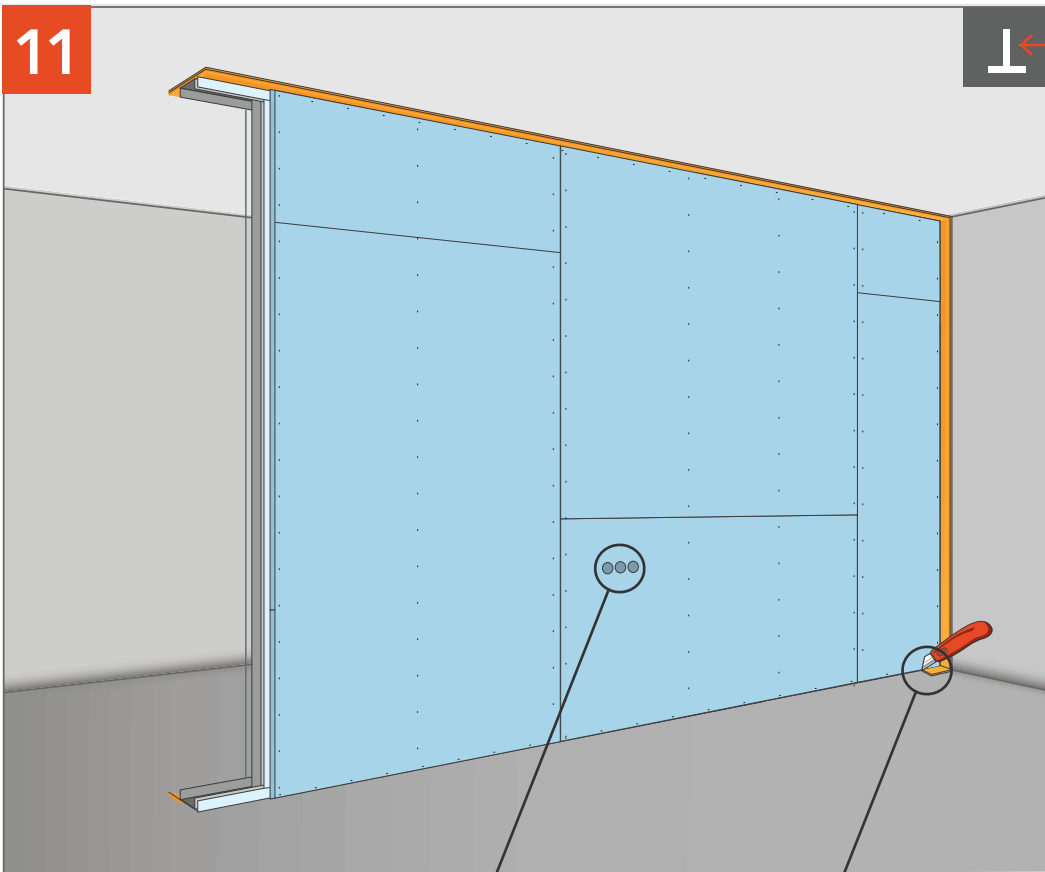
Mount Sonoplat panels with filling the joints with Sonetik vibroacoustic sealant.



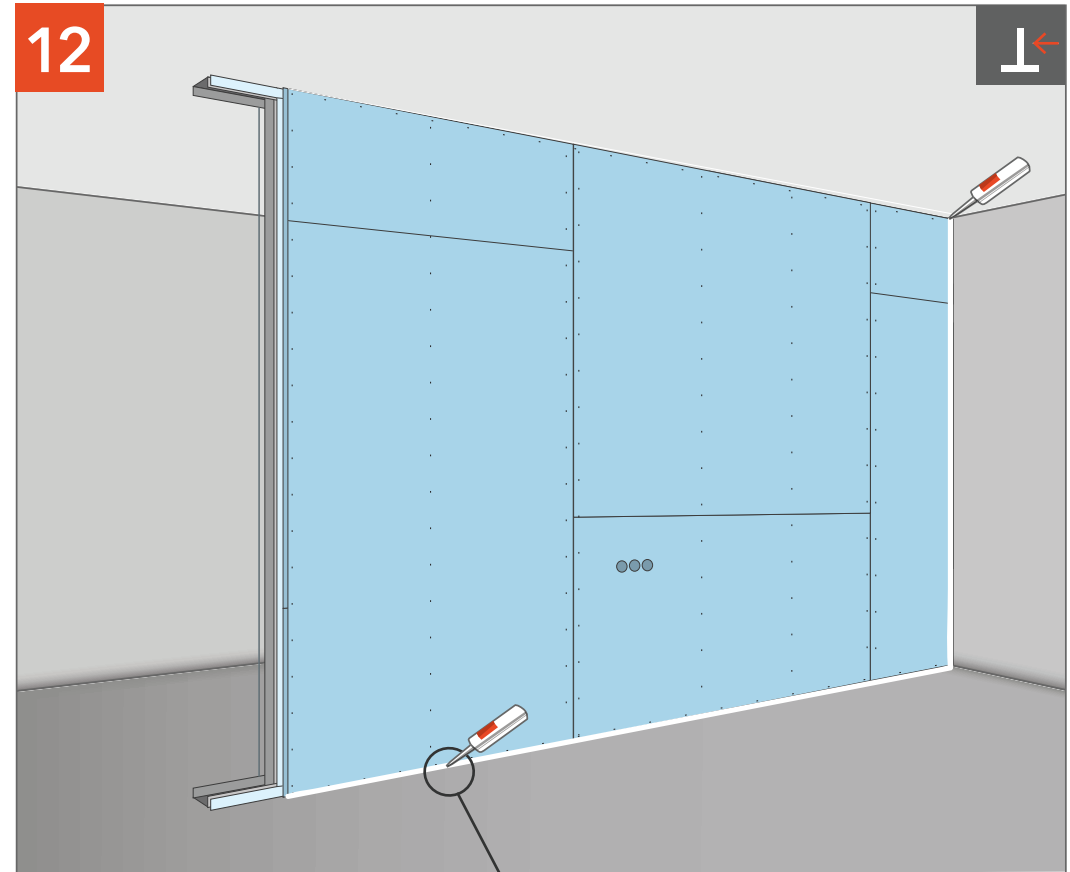
Cover Sonoplat panel joints with adhesive tape. Mount a layer of AcousticGyps GLZ on the structure.

## STANDARD P PARTITION SOUND INSULATION

# STANDARD P PARTITION SOUND INSULATION



Remove excess of StopZvuk V100 tape.



Apply Sonetik sealant around the perimeter.