

# WALL SOUND INSULATION

## STANDARD M

from typical technical solutions album of Technosonus and NIISF  
version TS/01.2020/RD/S/R4 type S-4.1

### components:

ThermoZvukolzol sound insulation mat  
PPN 27/28 AcousticGyps reinforced profile  
PP 60/27 AcousticGyps reinforced profile  
Sonokrep vibrohanger  
One-level connector (crab) for PP 60/27 AcousticGyps  
AcousticGyps extender for PP 60/27  
V-100 vibrodamping tape  
Sealing tape  
AcousticGyps GKLZ 12.5 mm  
Tecsound membrane (Tecsound SY) / Zvukoizol VEM smk  
StopZvuk BP/Eco sound-absorbing board  
TS-DG 6/60 Dowel pin · Vibrowasher  
TS-XTN 3.9x23, TS-XTN 3.9x38, TS-MM 4.2-13 self-tapping screws  
Sonetik vibroacoustic sealant  
Bautger glue



SYSTEM  
THICKNESS

**72,7 mm**



AIRBORNE NOISE  
REDUCTION

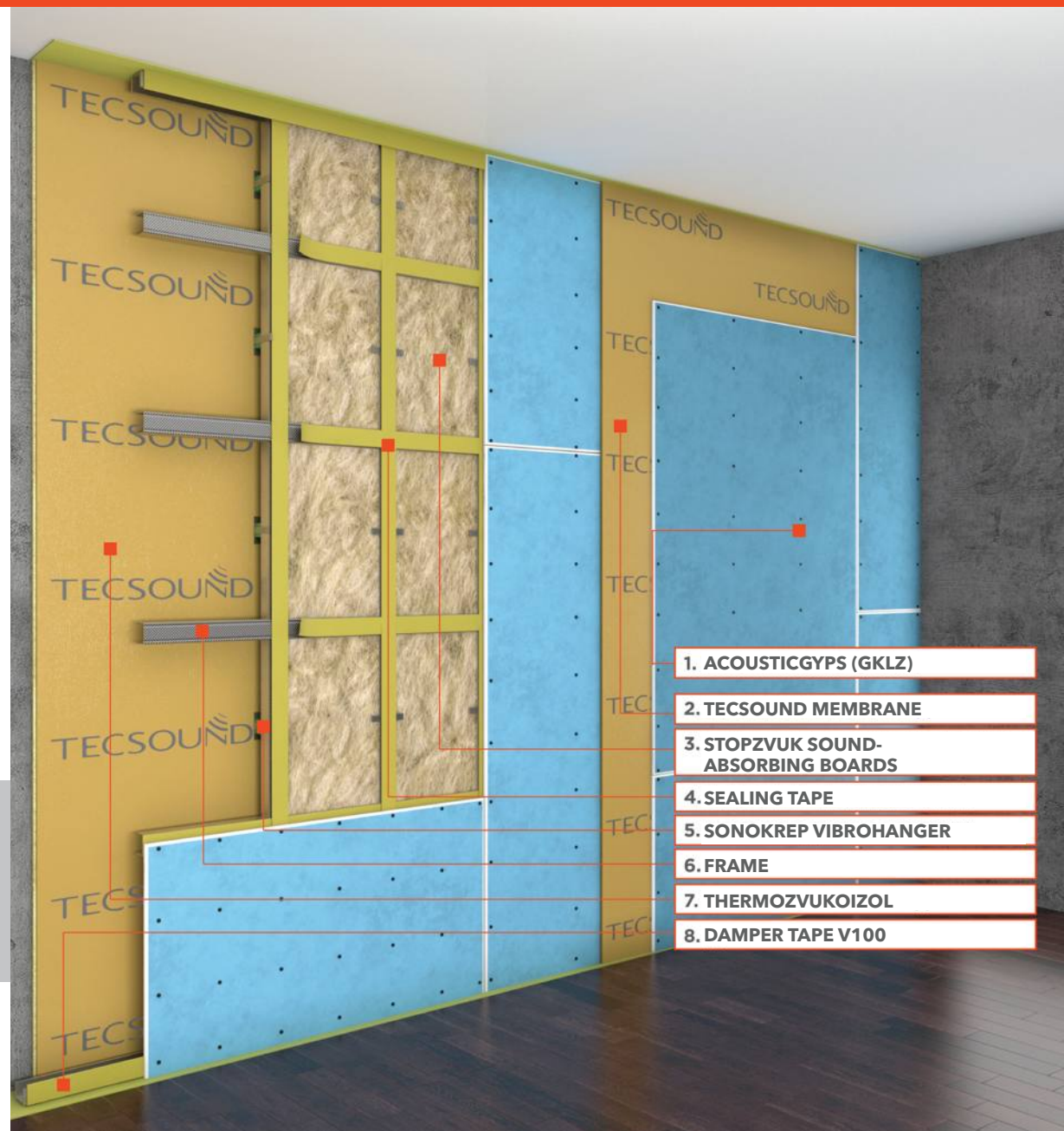
**Rw = 64-67 dB**

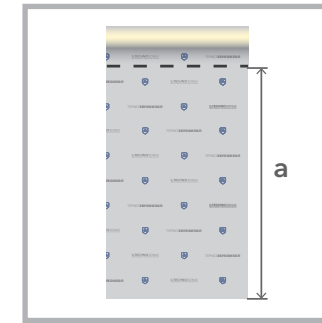
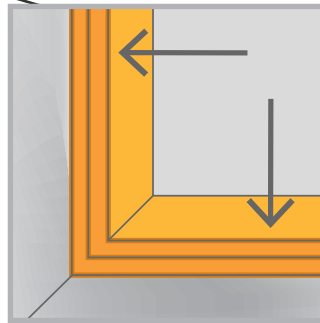
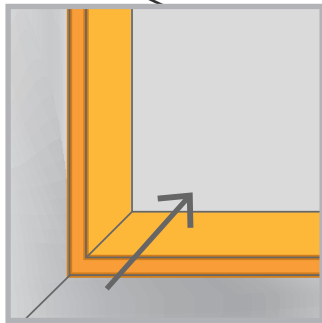
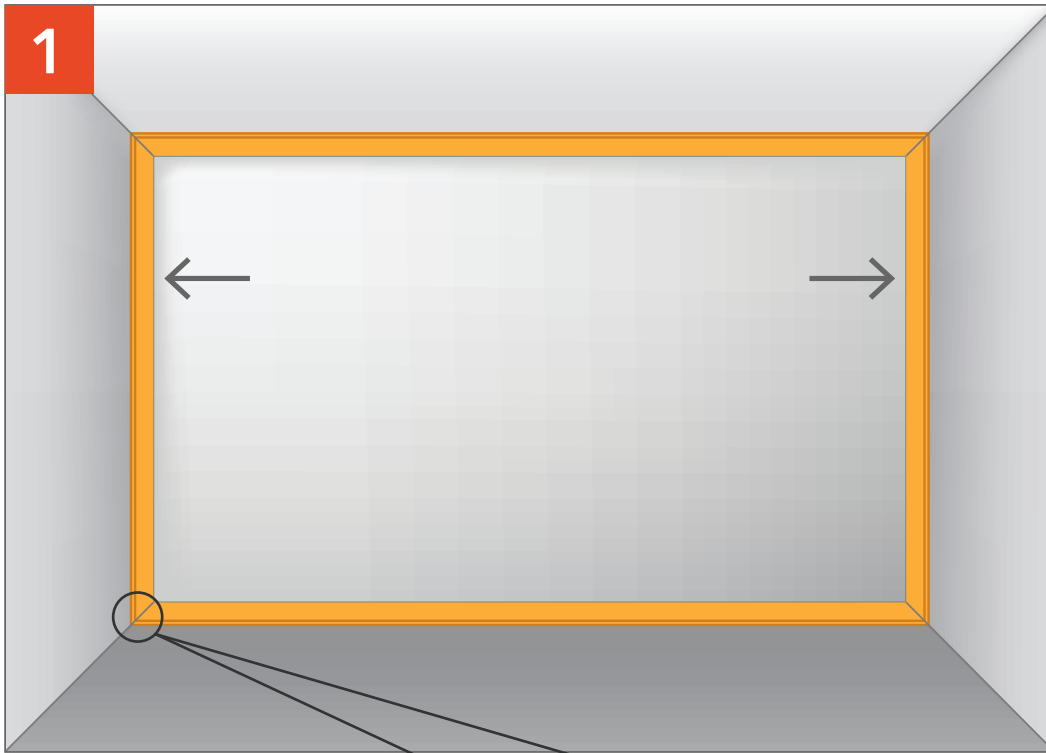


SOUND INSULATION  
ADDITION

**▲ Rw = 19-17 dB**

*Modern efficient sound insulation system. Provides acoustic comfort in a premise by protection from domestic airborne noise and significant structural noise reduction.*



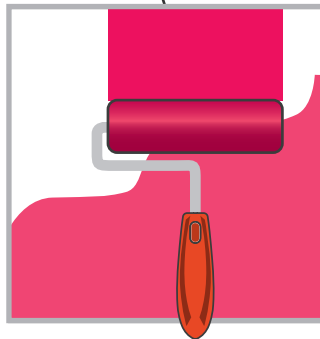
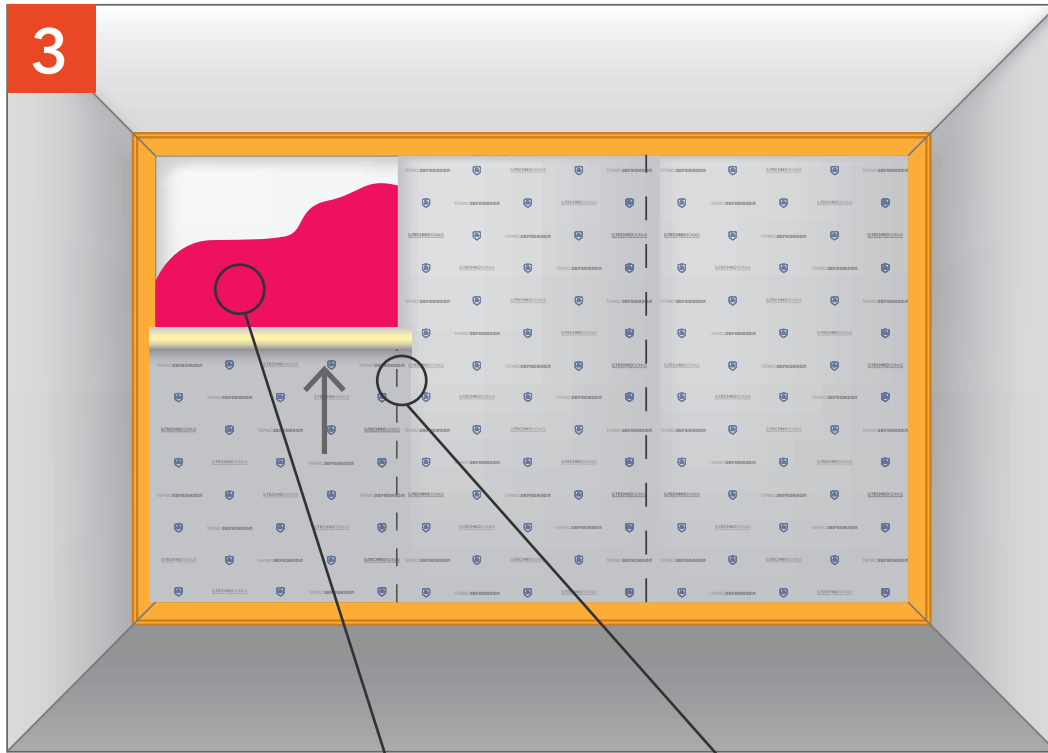


Glue perimeter of the wall with StopZvuk V100 tape using Sonetik sealant or Bautger glue.

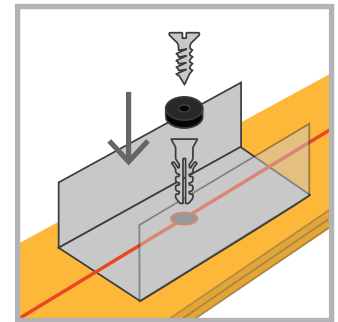
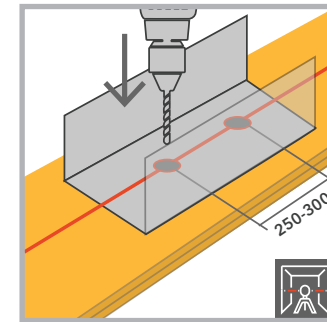
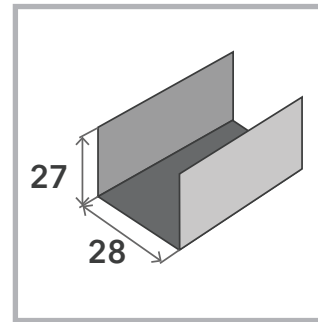
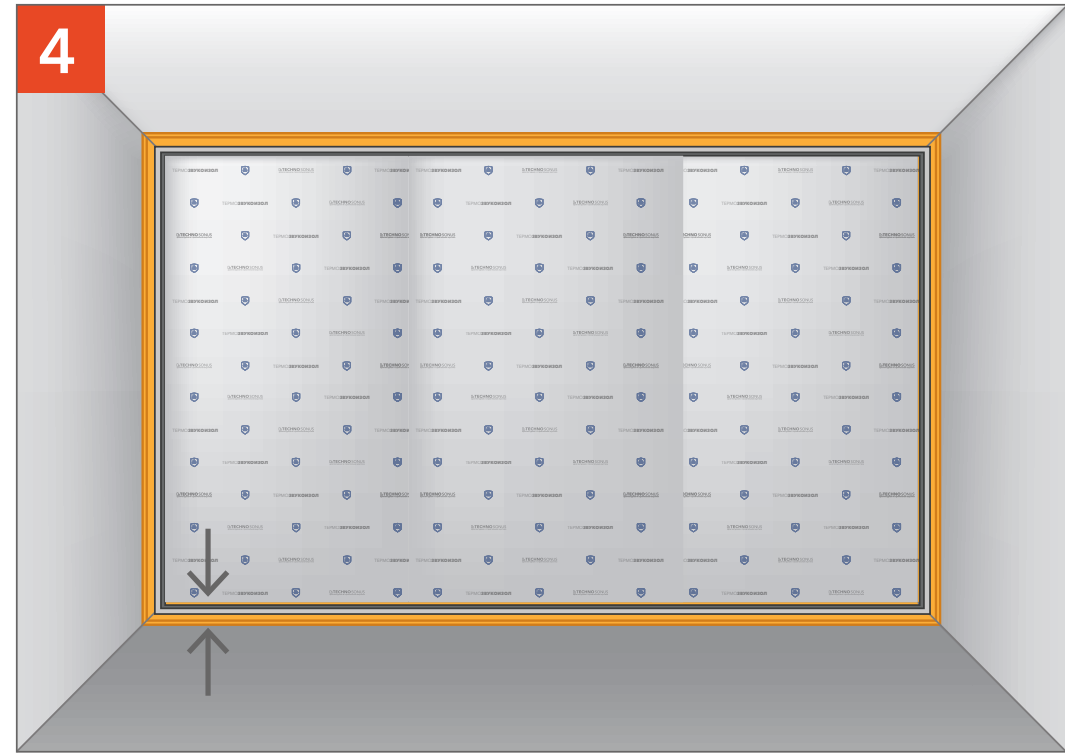
Measure out ThermoZvukolzol.

## STANDARD M WALL SOUND INSULATION

# STANDARD M WALL SOUND INSULATION

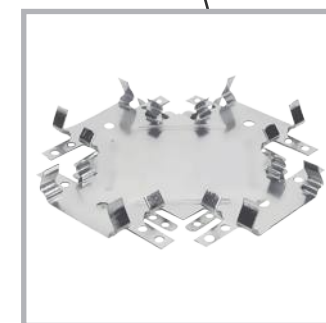
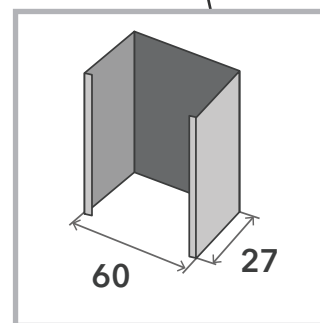
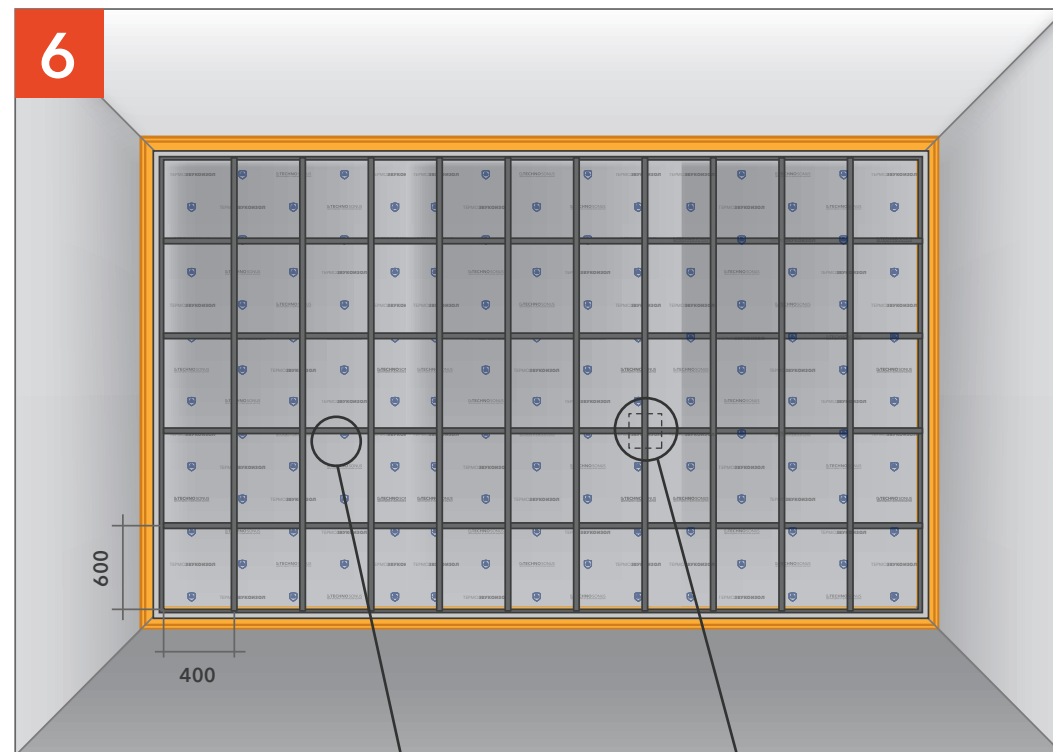
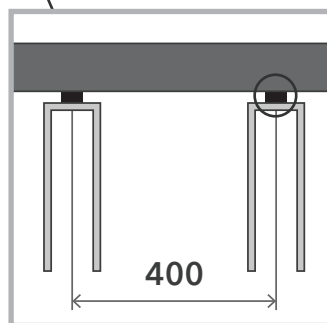
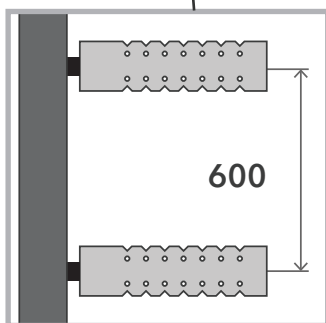
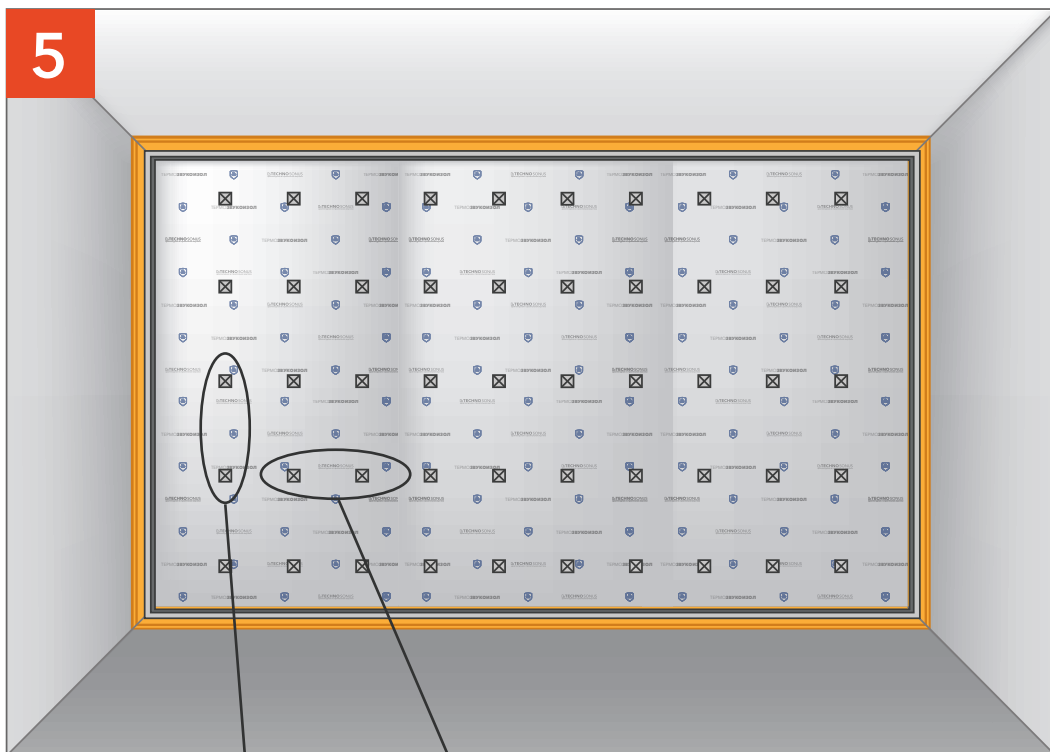


5-10 cm



Glue ThermoZvukolzol using Bautger glue.

Fix PN guide profile through StopZvuk V100 tape with 250-300 mm pitch.

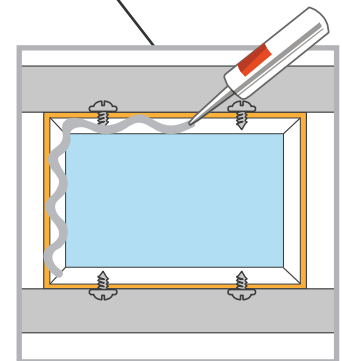
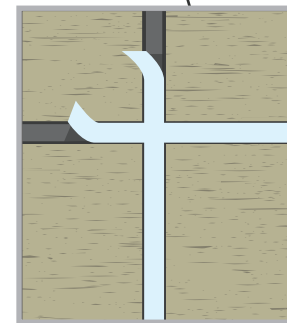
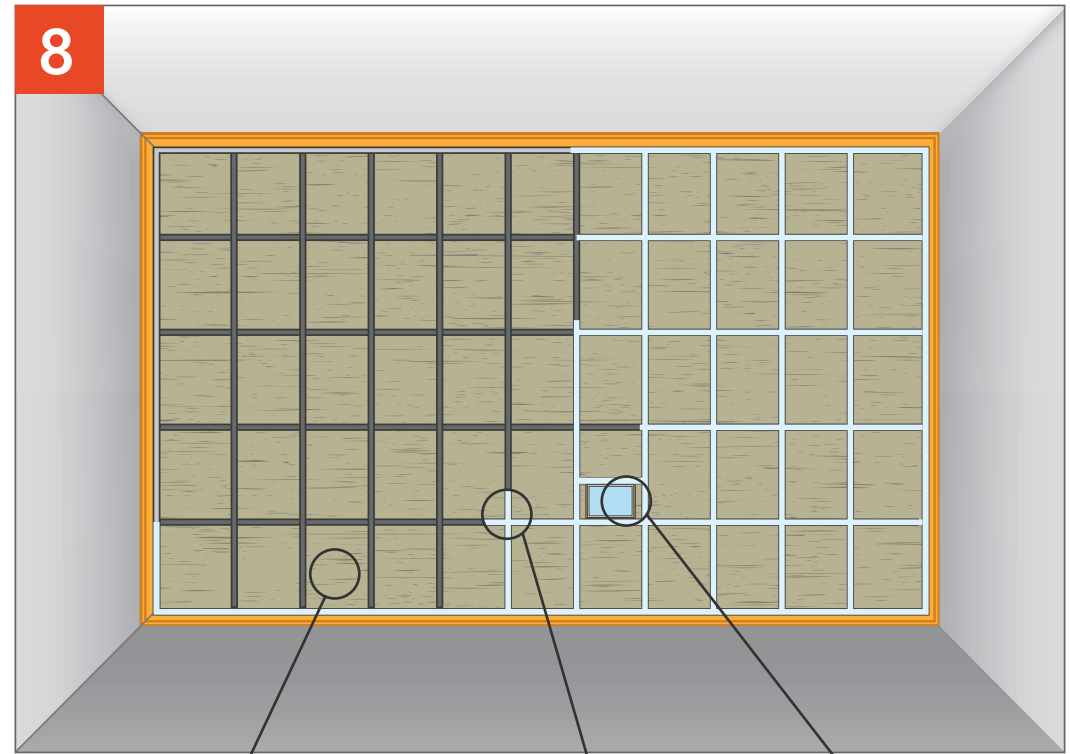
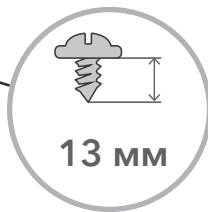
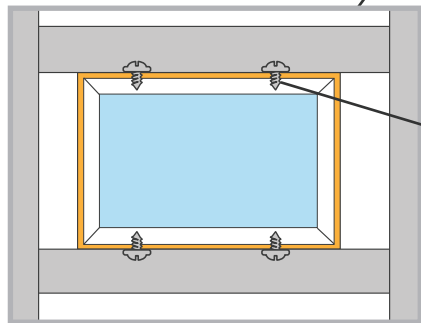
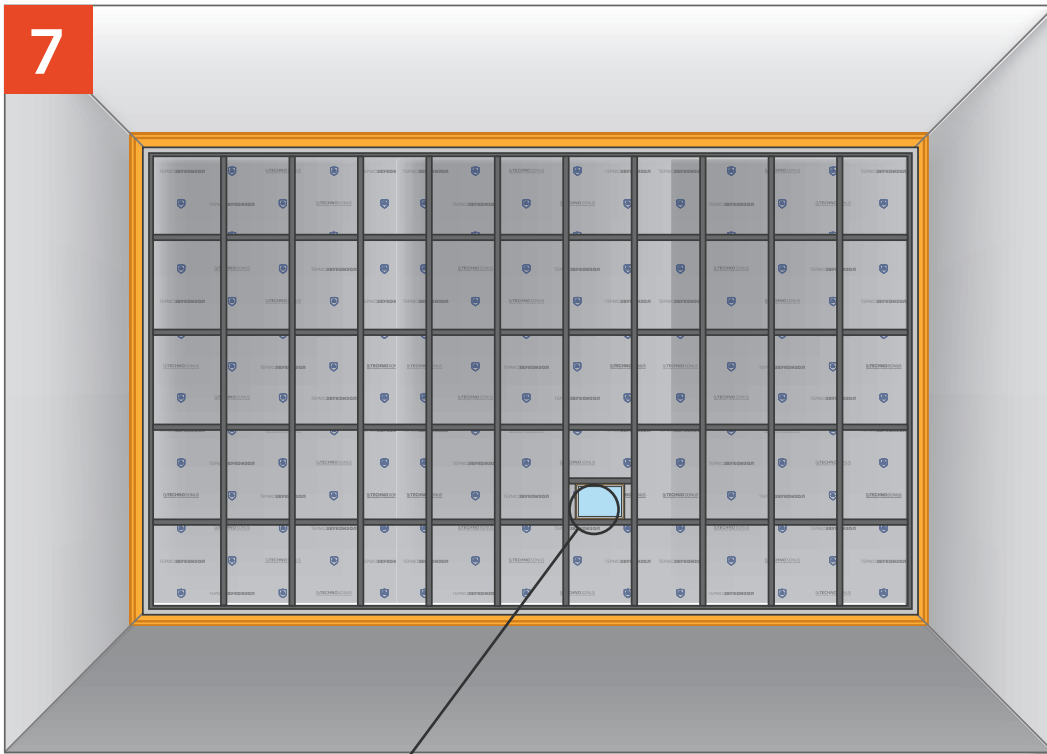


Fix Sonokrep vibrohangars with step 400 horizontally and 600 vertically.

Fasten PP profile to vibrohangars and connect them together using a single-level connector (crab).

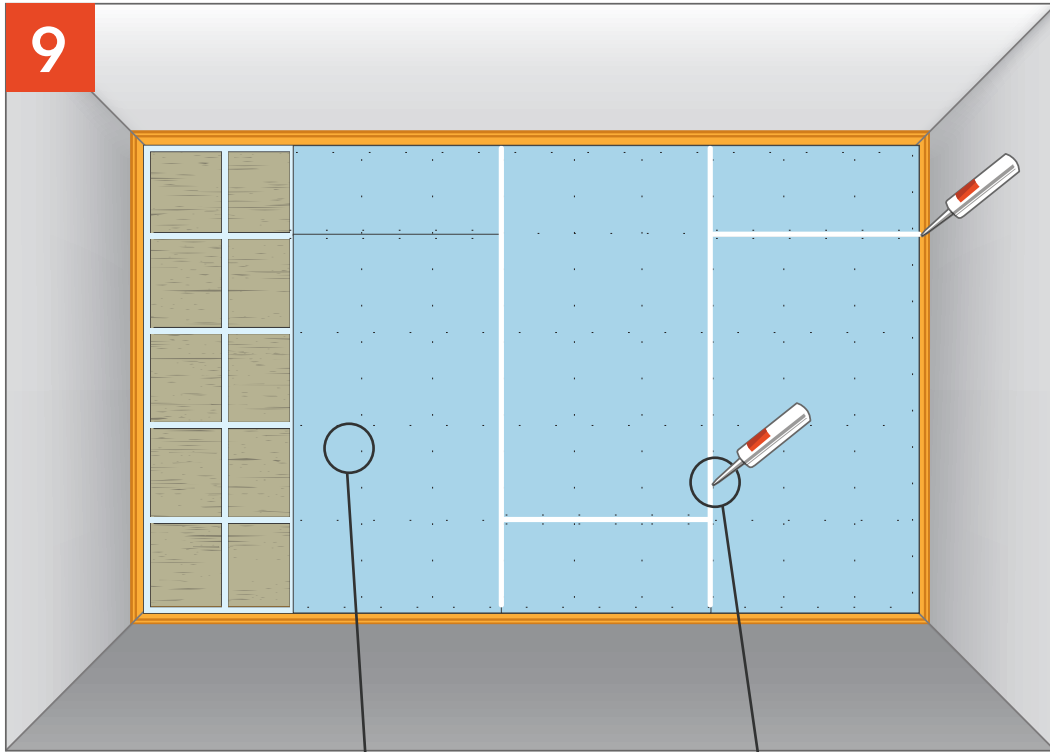
## STANDARD M WALL SOUND INSULATION

# STANDARD M WALL SOUND INSULATION

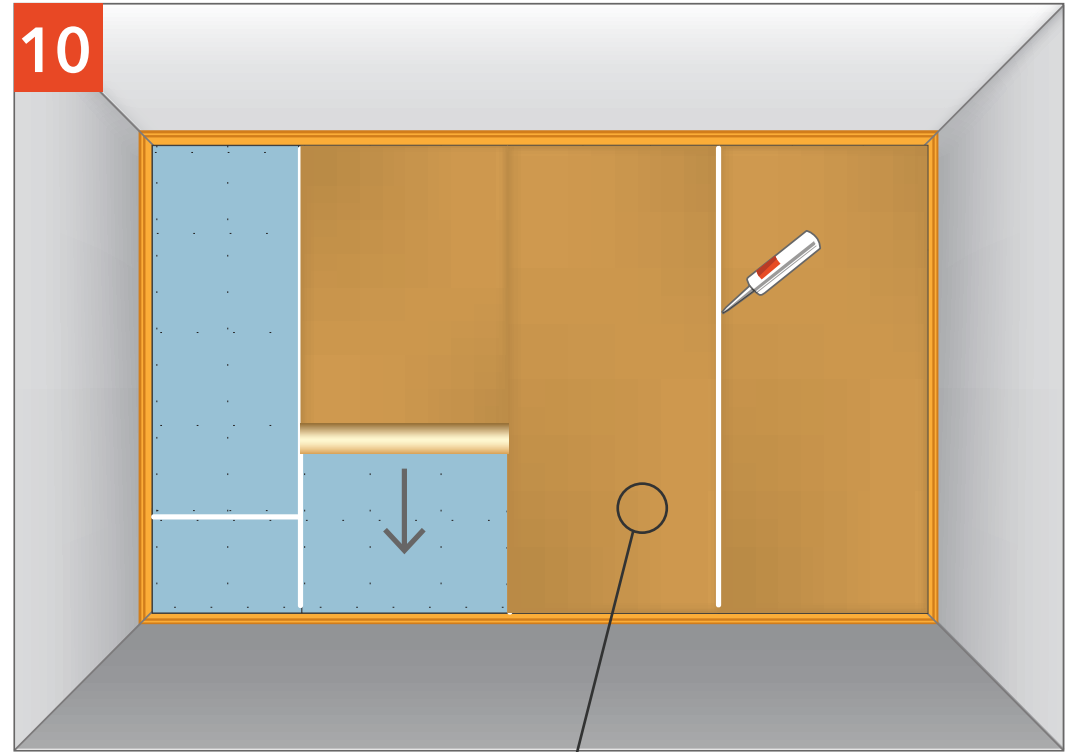
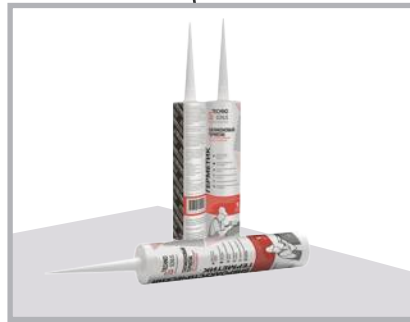
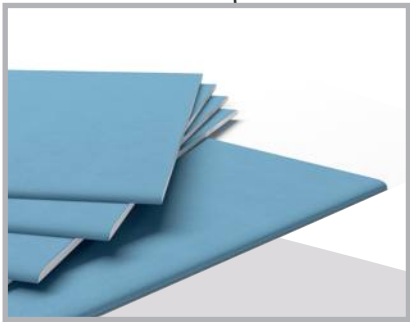


Mount AcousticGypsum Outlet Box in a prepared profile frame.

Glue damper tape on the surface of the profile, fill the space with StopZvuk BP boards.



9



10

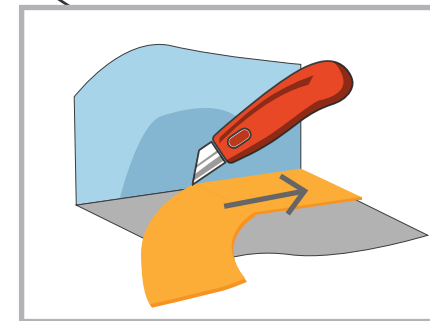
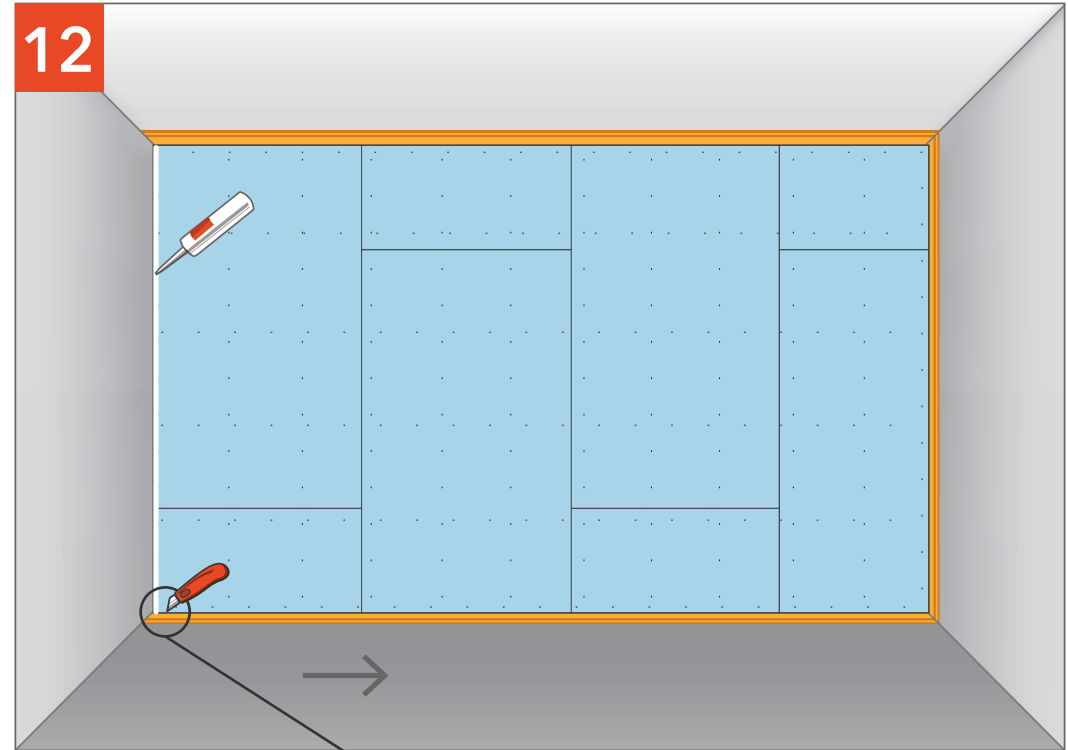
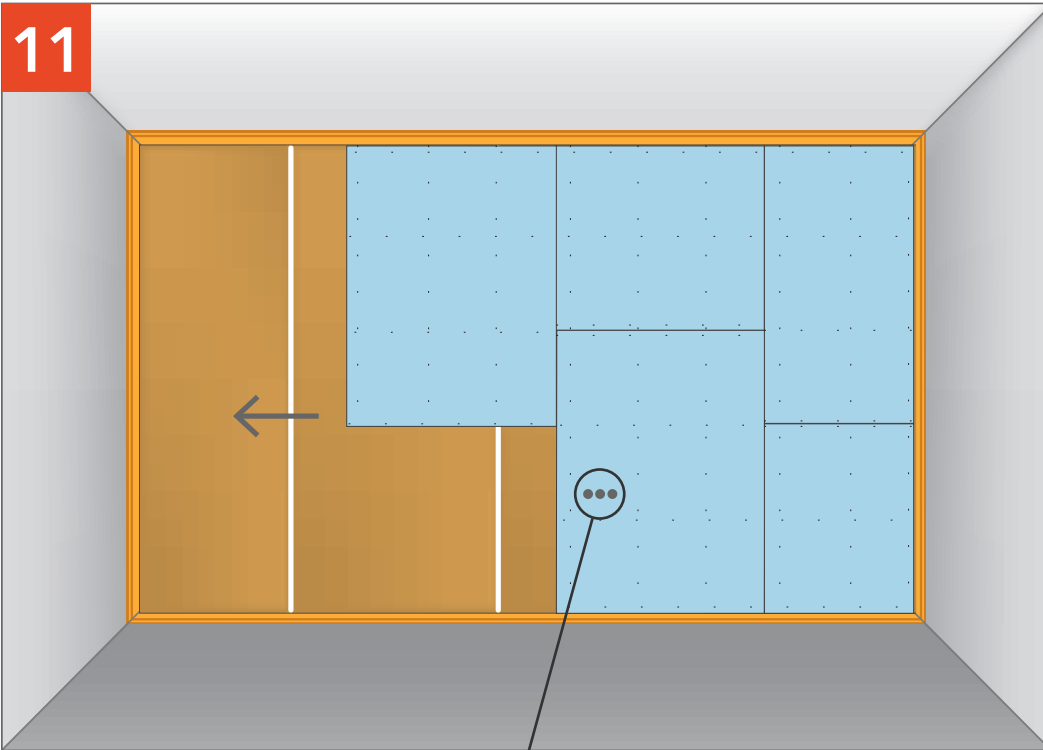


Mount AcousticGyps GKLZ sheets, fill the joints with Sonetik vibroacoustic sealant.

Glue a membrane and seal the joints with Sonetik sealant.

## STANDARD M WALL SOUND INSULATION

# STANDARD M WALL SOUND INSULATION



Mount one more AcousticGyps GKLZ layer.

Remove excess of StopZvuk V100 tape and seal the perimeter with Sonetik sealant.