

CEILING SOUND INSULATION

STANDARD M

from typical technical solutions album of Technosonus and NIISF
version TS/01.2020/RD/S/R4 type S-4.1

components:

ThermoZvukolzol sound insulation mat
V-100 vibrodamping tape
Sonokrep vibrohangers
PPN 27/28 AcousticGyps reinforced profile
PP 60/27 AcousticGyps reinforced profile
One-level connector (crab) for PP 60/27 AcousticGyps
AcousticGyps extender for PP 60/27
Sealing tape
StopZvuk BP/Eco sound-absorbing board
AcousticGyps GKLZ 12.5 mm
Tecsound membrane (Tecsound SY) / Zvukoizol VEM smk
TS-DG 6x60 Dowel pin
TS-XTN 3.9x23, TS-XTN 3.9x45, TS-MM 4.2-13 self-tapping screws
Sonetik vibroacoustic sealant
Bautger glue

Modern efficient sound insulation system. Provides acoustic comfort in a premise by protection from domestic airborne noise and significant structural noise reduction.



SYSTEM
THICKNESS
91 mm



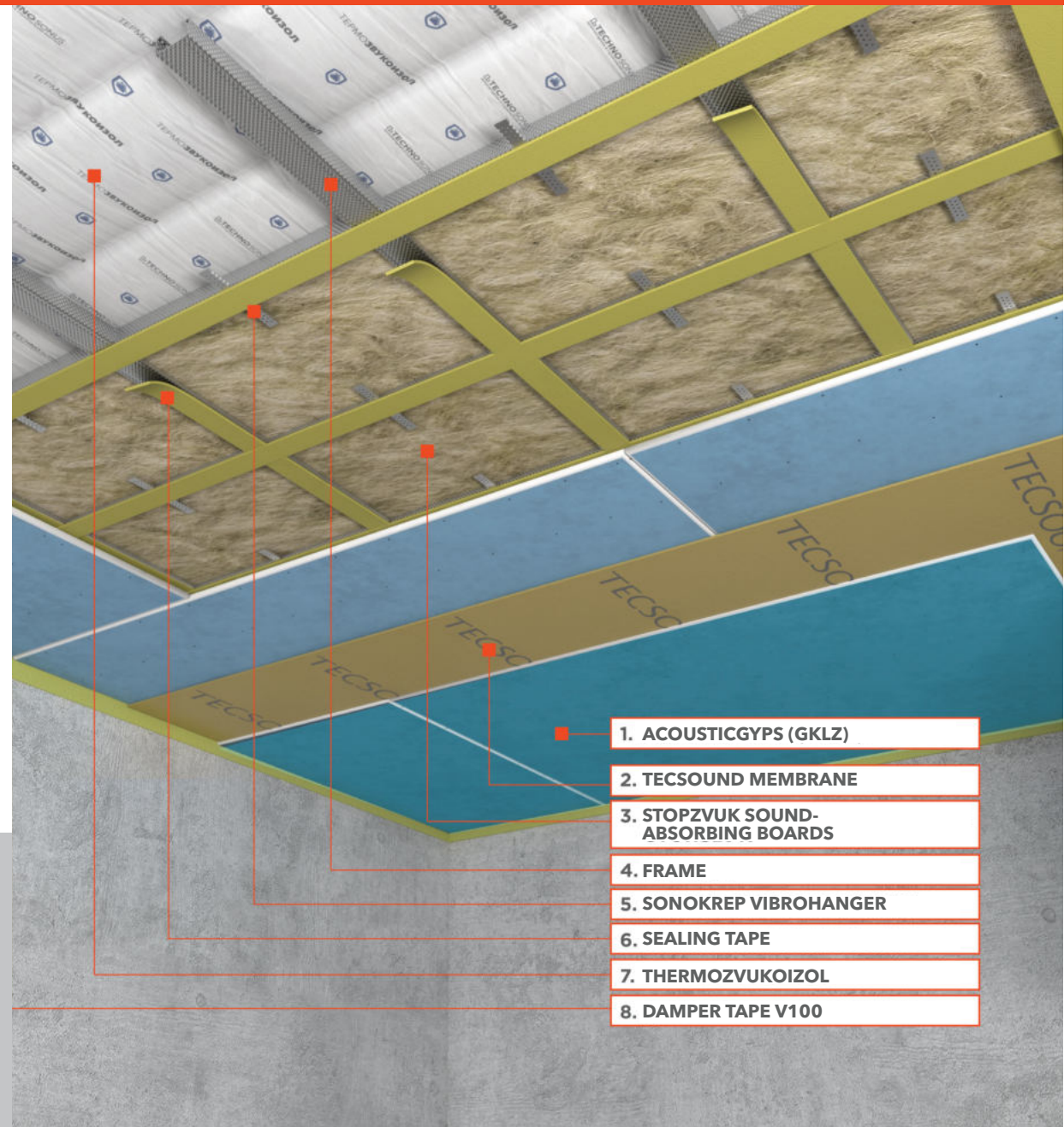
AIRBORNE
NOISE REDUCTION
Rw = 71 dB

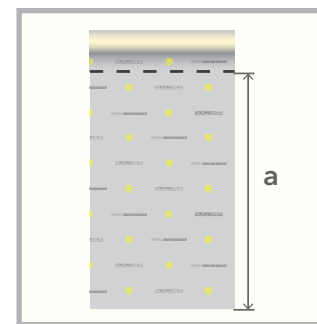
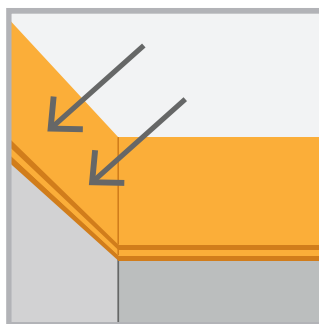
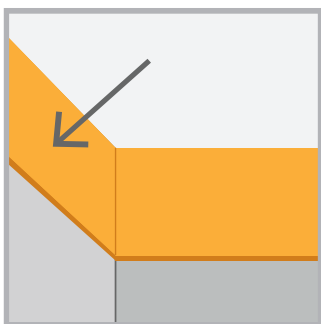
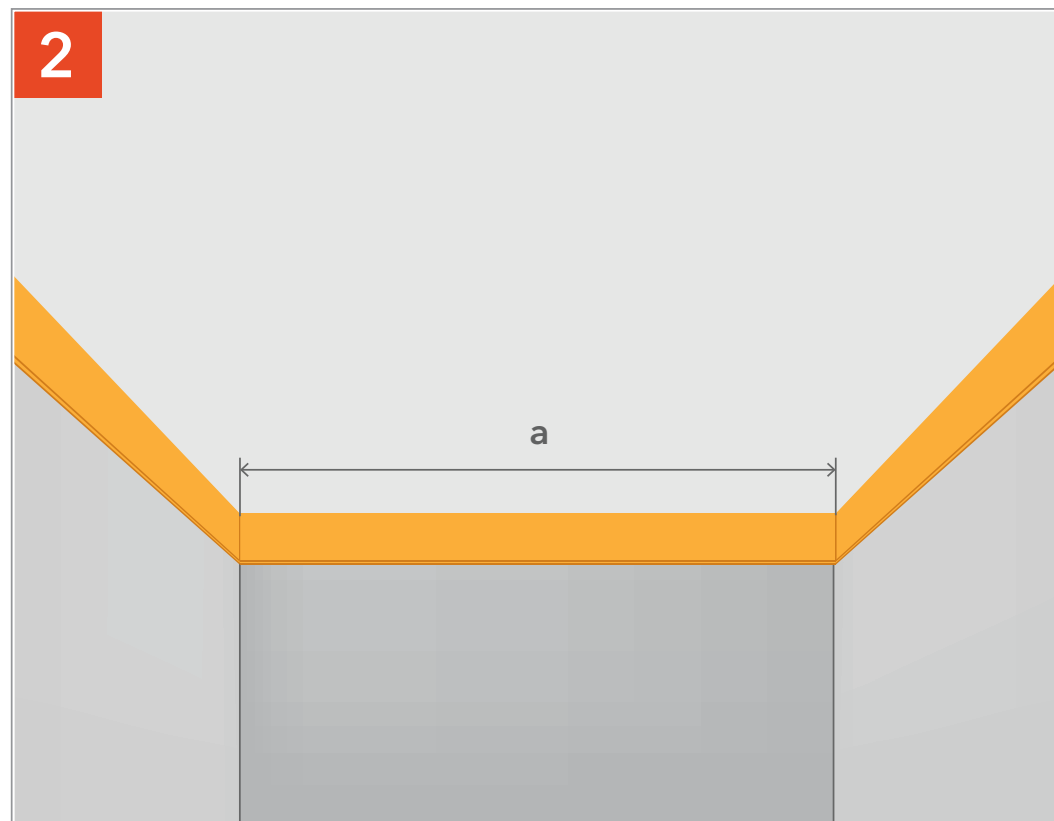
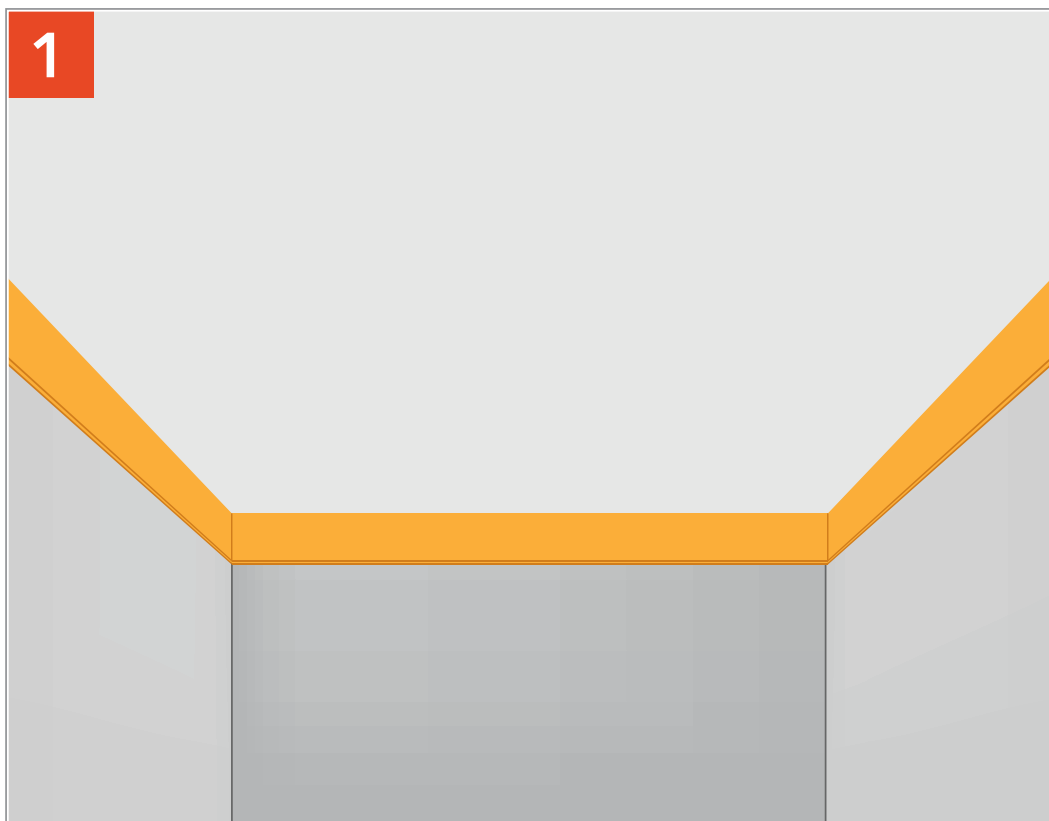


SOUND INSULATION
ADDITION
▲ Rw = 20 dB



IMPACT NOISE
REDUCTION
▲ Lnw = 16 dB



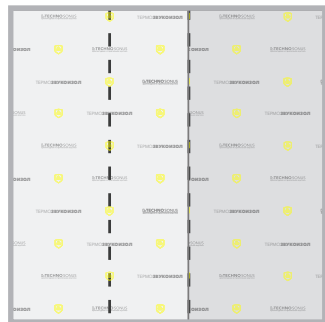
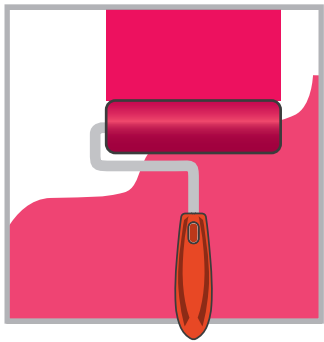
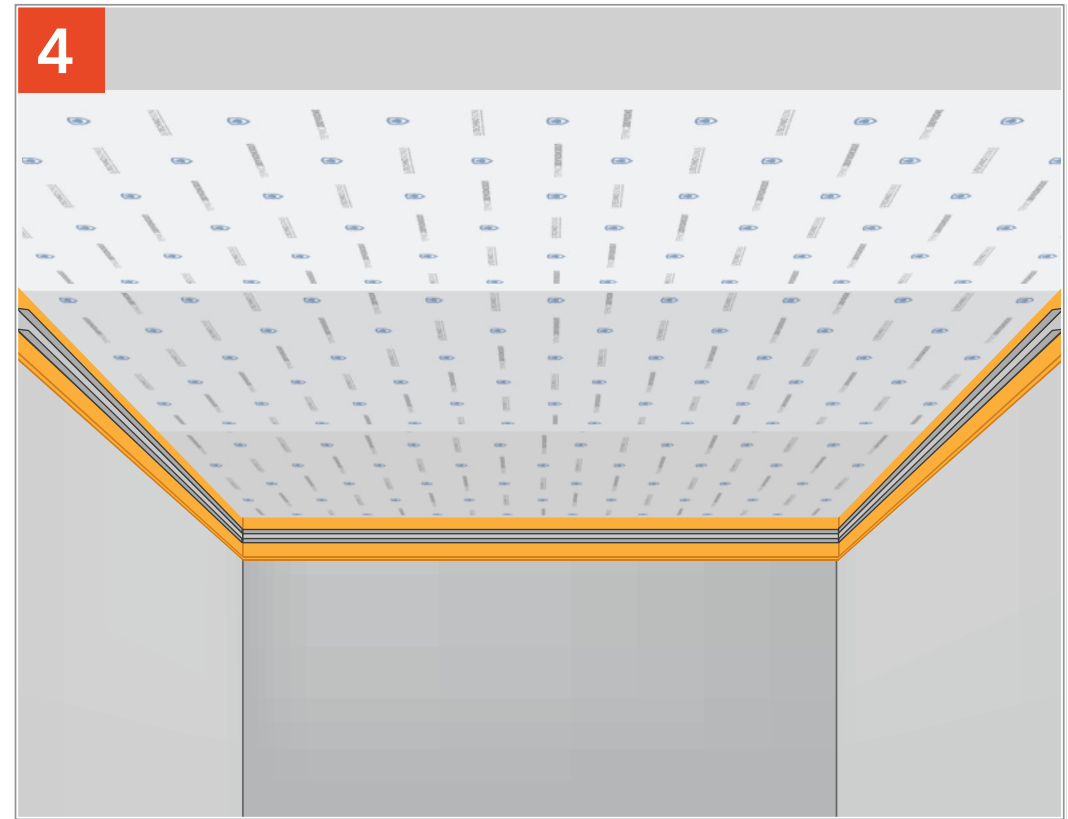
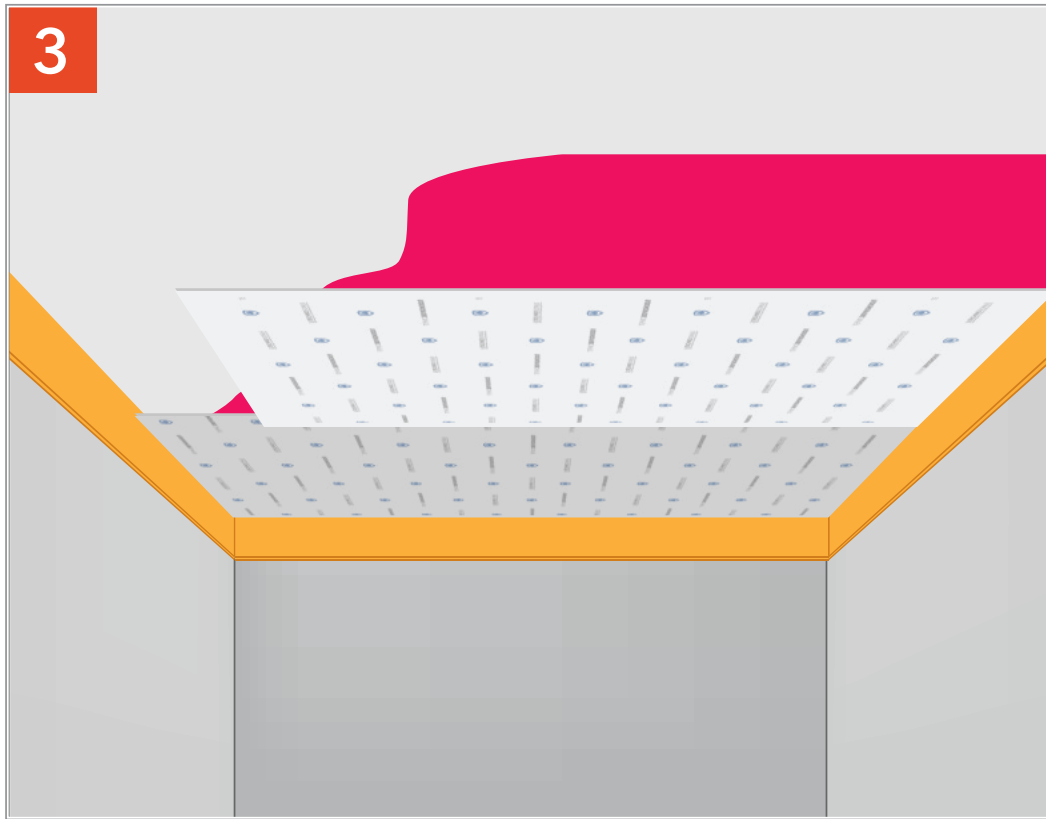


Glue perimeter of the wall with StopZvuk V100 tape using Sonetik sealant or Bautger glue.

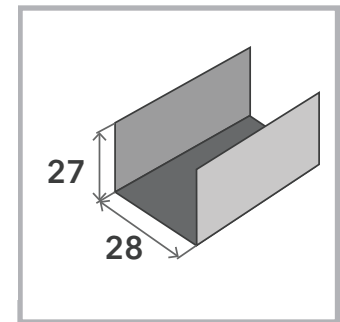
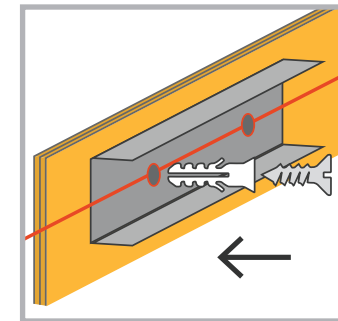
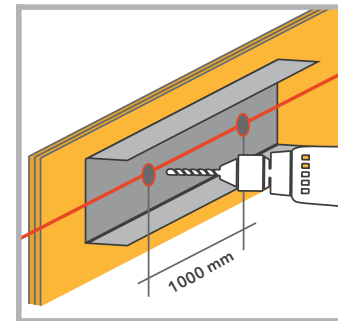
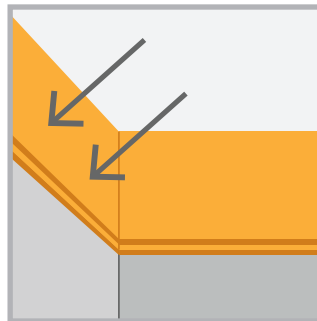
Measure out ThermoZvukolzol.

STANDARD M CEILING SOUND INSULATION

STANDARD M CEILING SOUND INSULATION

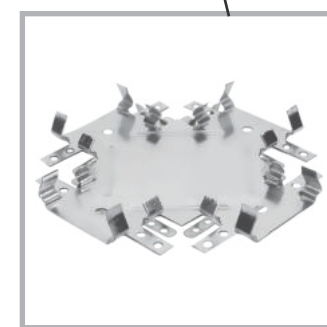
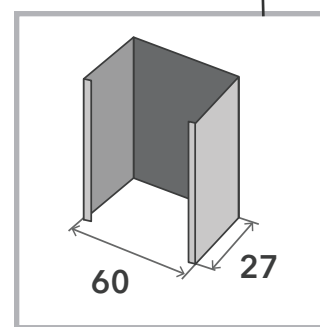
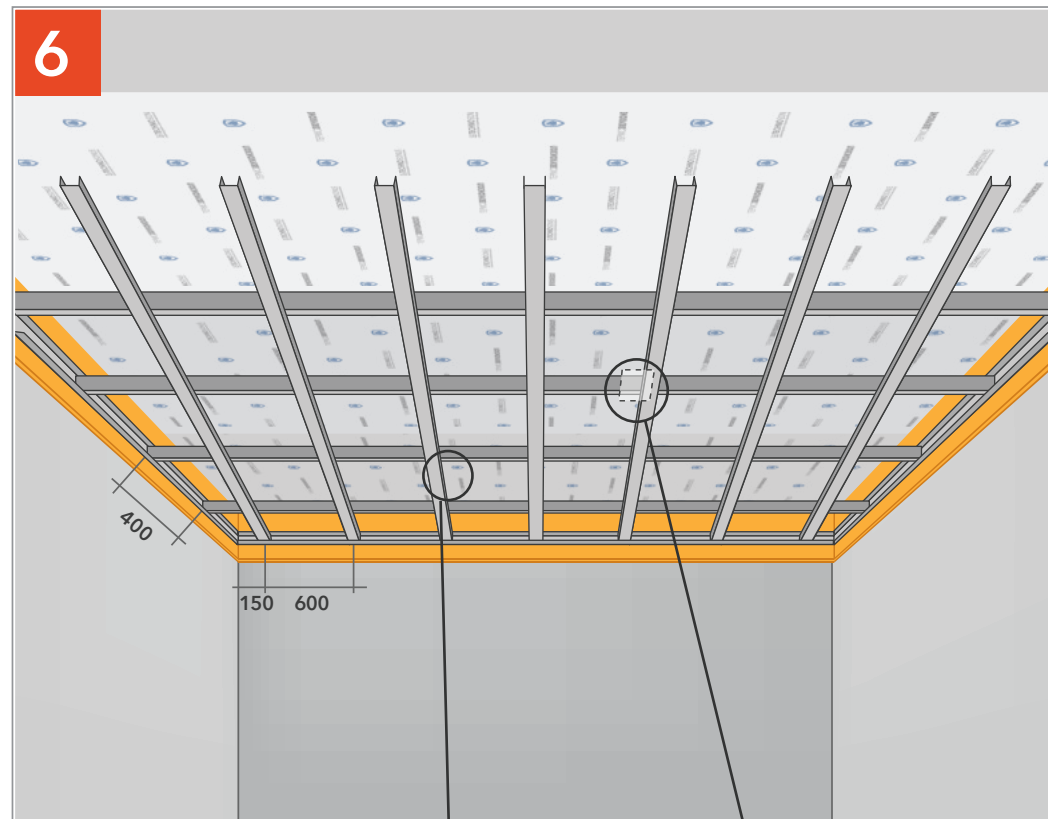
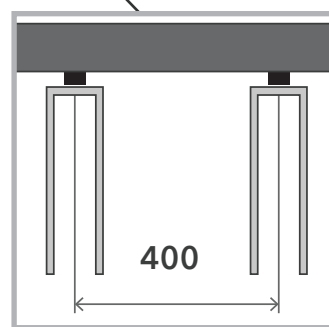
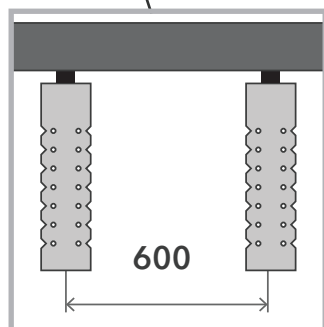
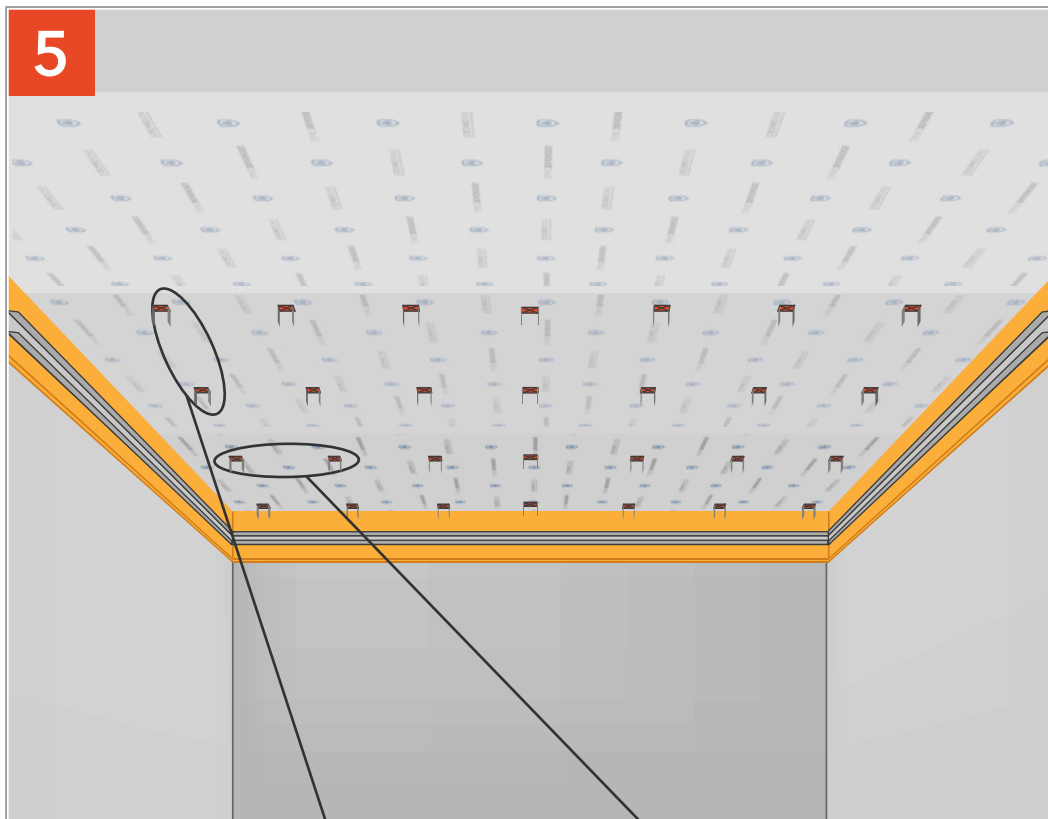


5-10 mm



Glue ThermoZvukolzol using Bautger glue.

Temporarily fix PN profile through StopZvuk V100 tape with 1000 mm pitch.

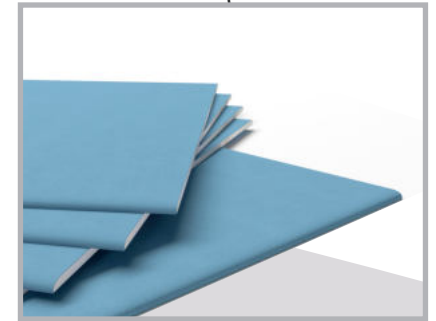
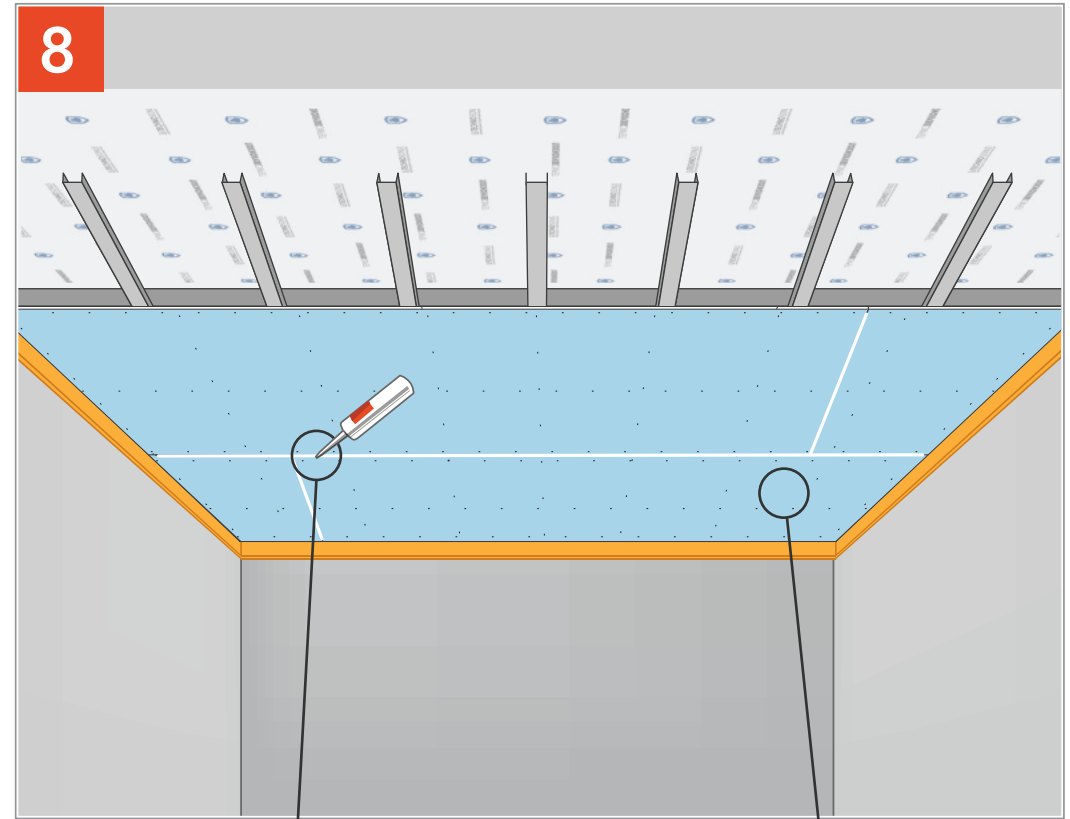
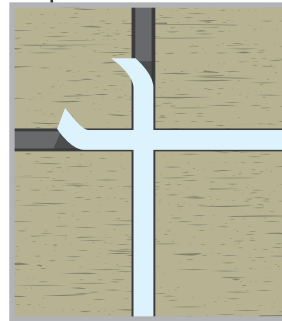
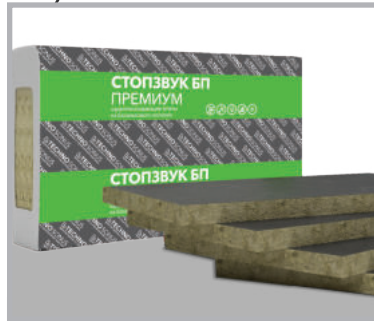
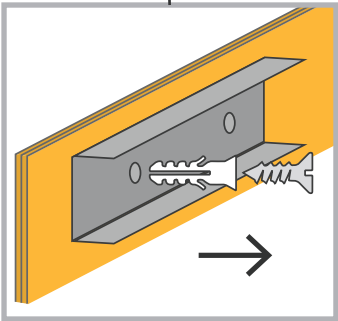
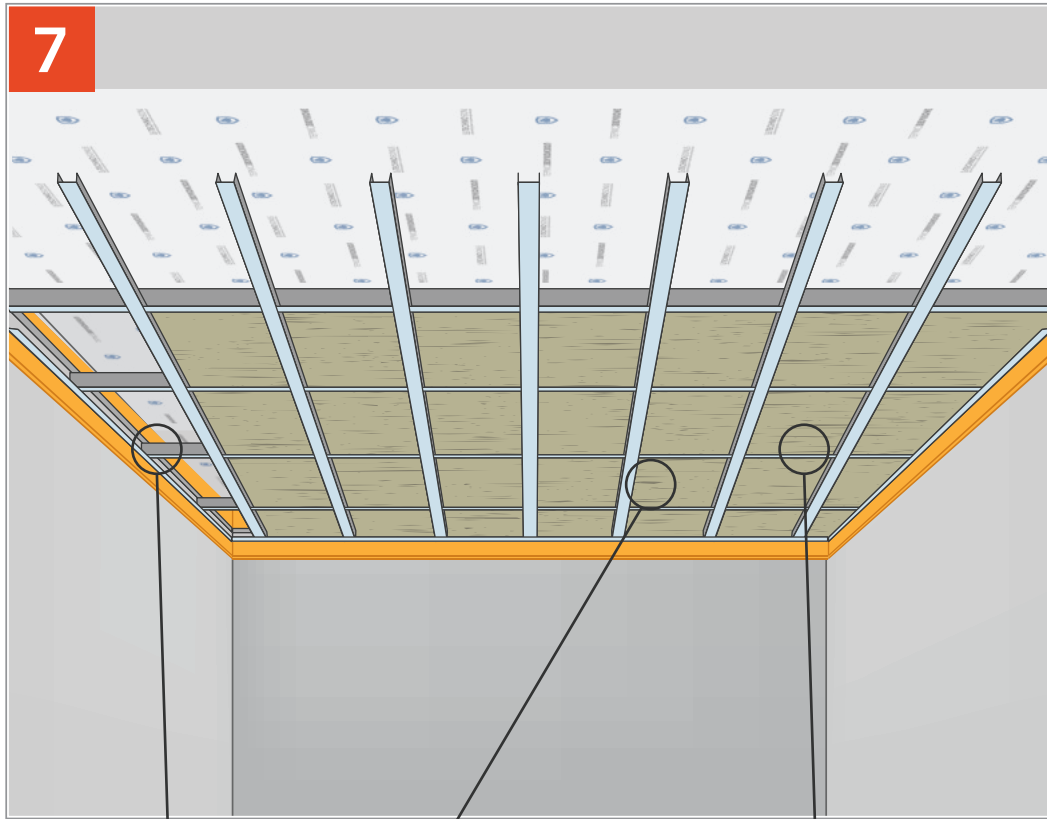


Mount Sonokrep vibrohangers with step 400 across and 600 along the room. The vibrohanger closest to the wall should be at 150 mm from it.

Fasten PP profile to vibrohangers and connect them together using a single-level connector (crab).

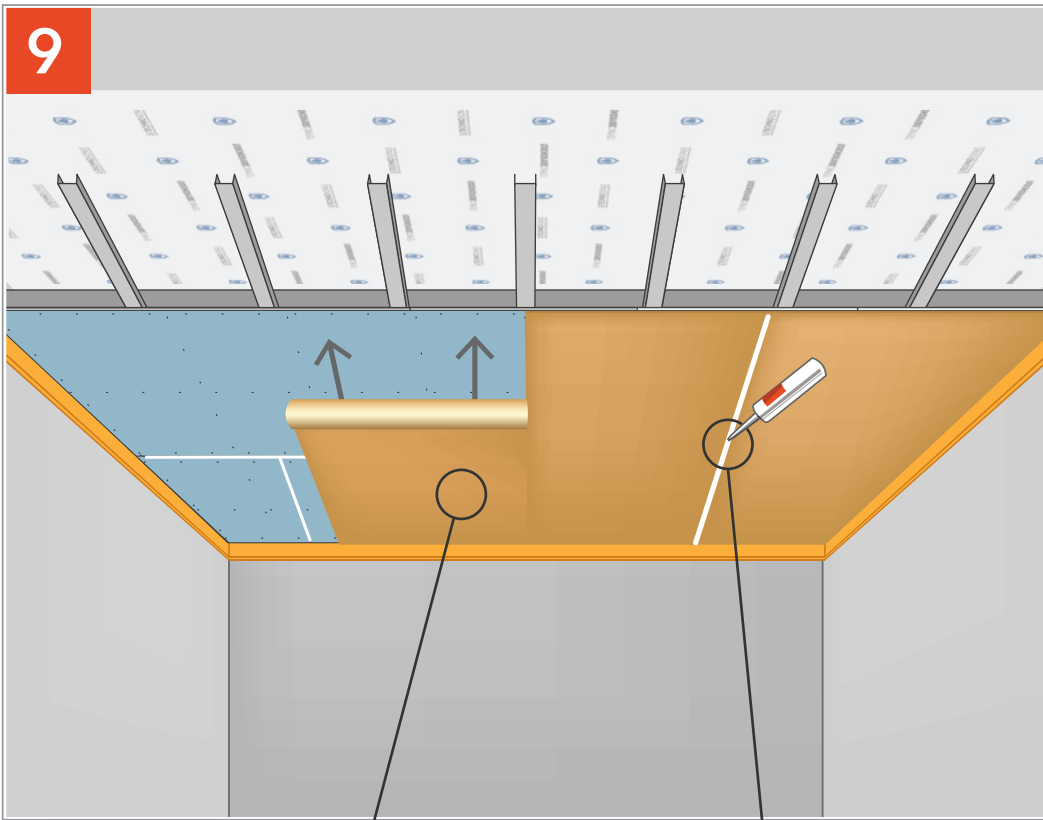
STANDARD M CEILING SOUND INSULATION

STANDARD M CEILING SOUND INSULATION



Glue damper tape on the surface of the profile, fill the space with StopZvuk BP boards. Remove dowel pins from PN profile.

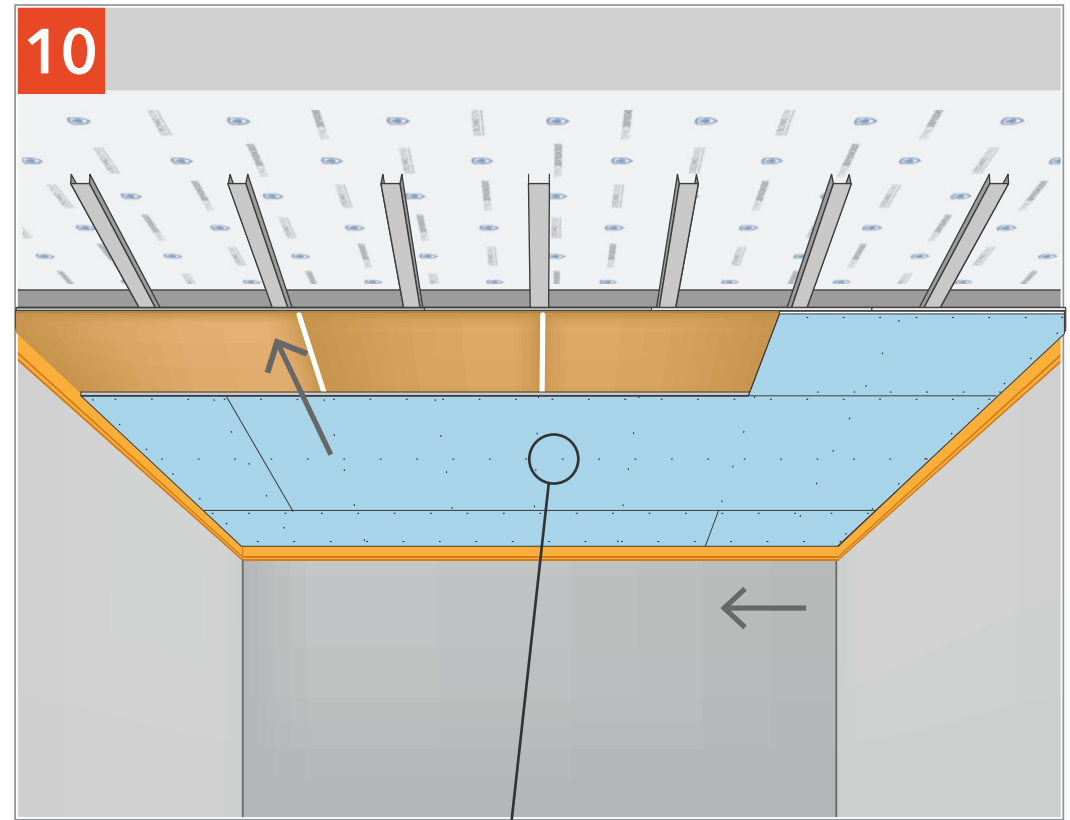
Mount AcousticGyps GKLZ sheets on the frame, fill the joint with Sonetik vibroacoustic sealant.



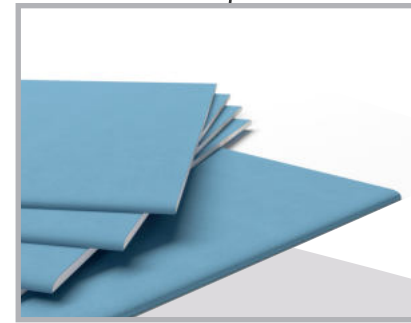
9



Glue a sound insulation membrane on AcousticGypsum GKZ layer.
Cover the joints with Sonetik vibroacoustic sealant.



10

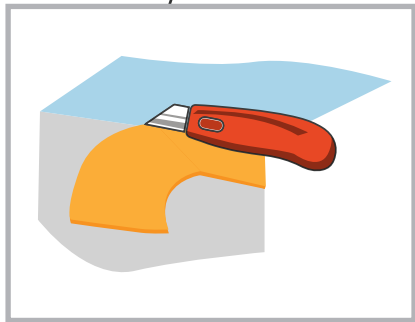
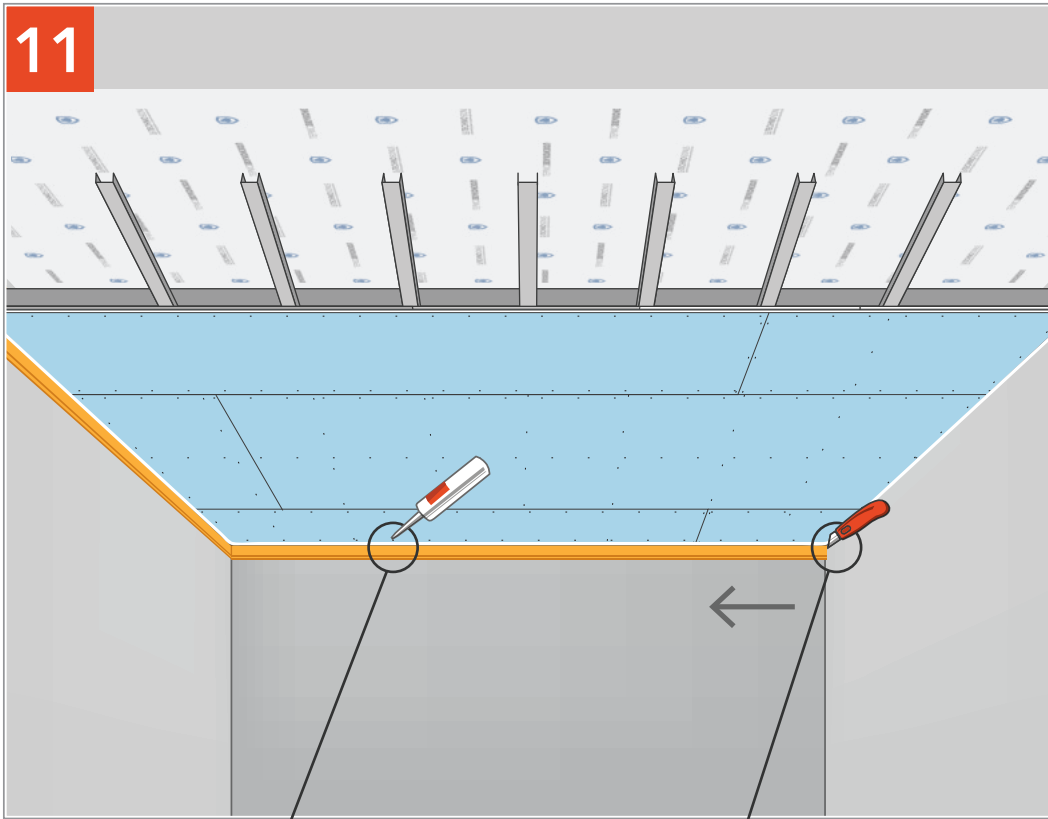


Mount one more AcousticGyps GKZ layer.

STANDARD M CEILING SOUND INSULATION

STANDARD M CEILING SOUND INSULATION

11



Remove excess of StopZvuk V100 tape and seal the perimeter with Sonetik sealant.