

## STANDARD M1

from typical technical solutions album of Technosonus and NIISF  
version TS/01.2020/RD/S/R4 type S-4.1

### components:

ThermoZvukolzol sound insulation mat  
PPN 27/28 AcousticGyps reinforced profile  
PP 60/27 AcousticGyps reinforced profile  
Sonokrep vibrohanger  
One-level connector (crab) for PP 60/27 AcousticGyps  
AcousticGyps extender for PP 60/27  
V-100 vibrodamping tape  
Sealing tape  
AcousticGyps GKLZ 12.5 mm  
AcousticGyps M1  
StopZvuk BP/Eco sound-absorbing board  
TS-DG 6/60 Dowel pin · Vibrowasher  
TS-XTN 3.9x38, TS-XTN 3.9x55, TS-MM 4.2-13 self-tapping screws  
Sonetik vibroacoustic sealant  
Bautger glue



SYSTEM  
THICKNESS

**73,5 mm**



AIRBORNE NOISE  
REDUCTION

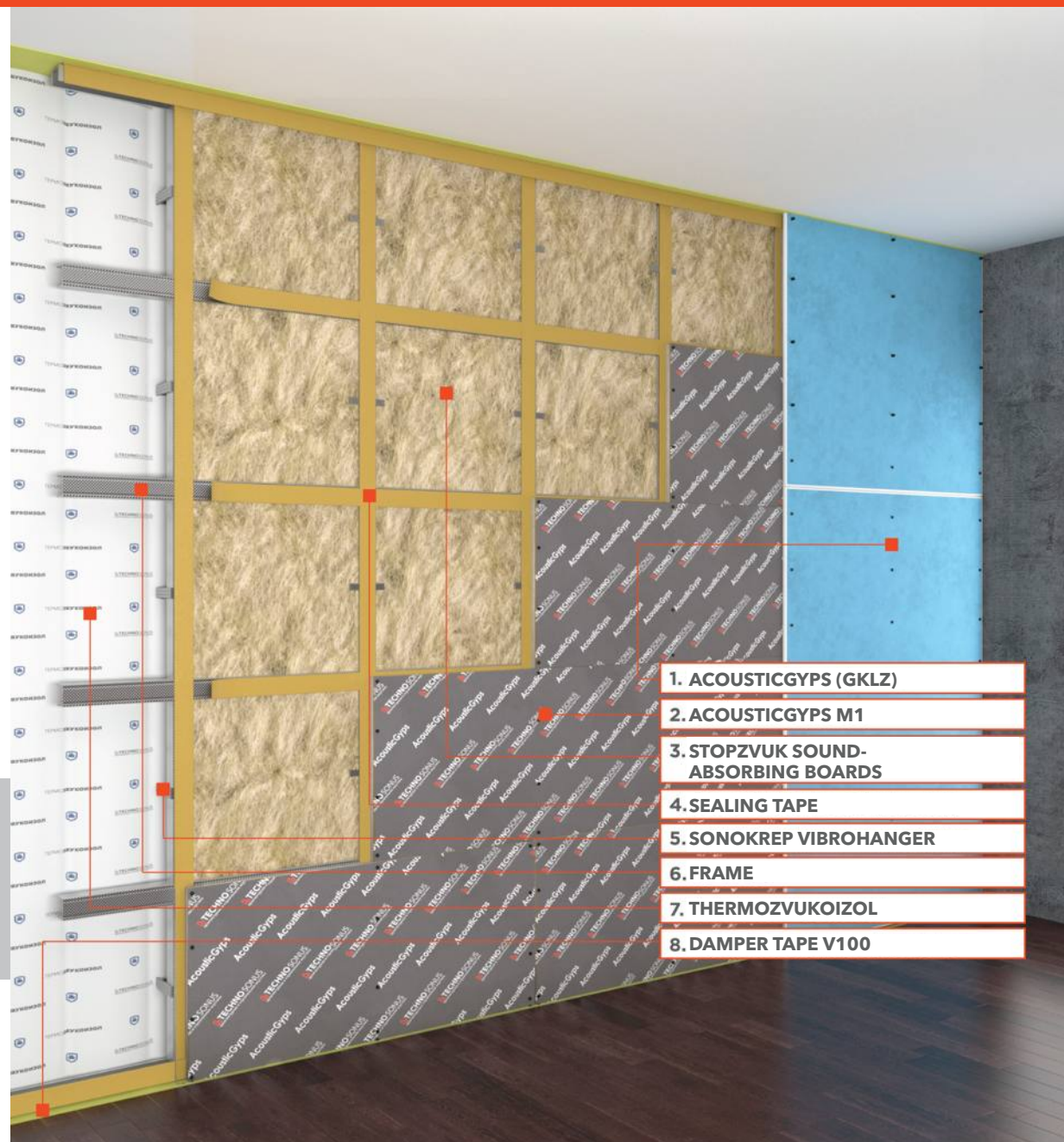
**Rw = 65-68 dB**



SOUND INSULATION  
ADDITION

**▲ Rw = 20-18 dB**

*Modern efficient sound insulation system. Provides acoustic comfort in a premise by protection from domestic airborne noise and significant structural noise reduction.*



1. ACOUSTICGYPS (GKLZ)

2. ACOUSTICGYPS M1

3. STOPZVUK SOUND-  
ABSORBING BOARDS

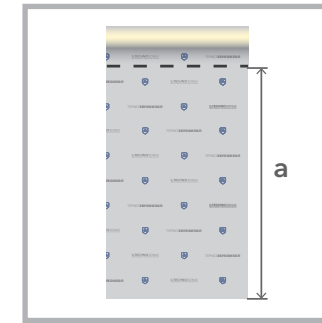
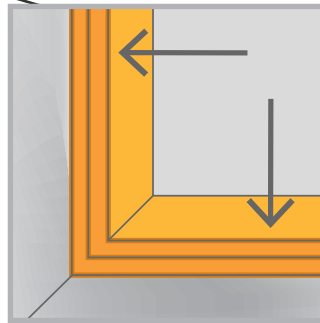
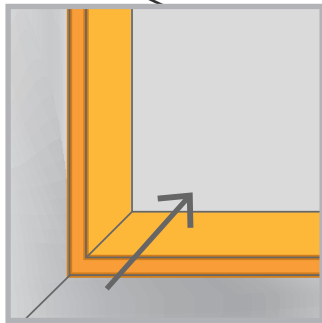
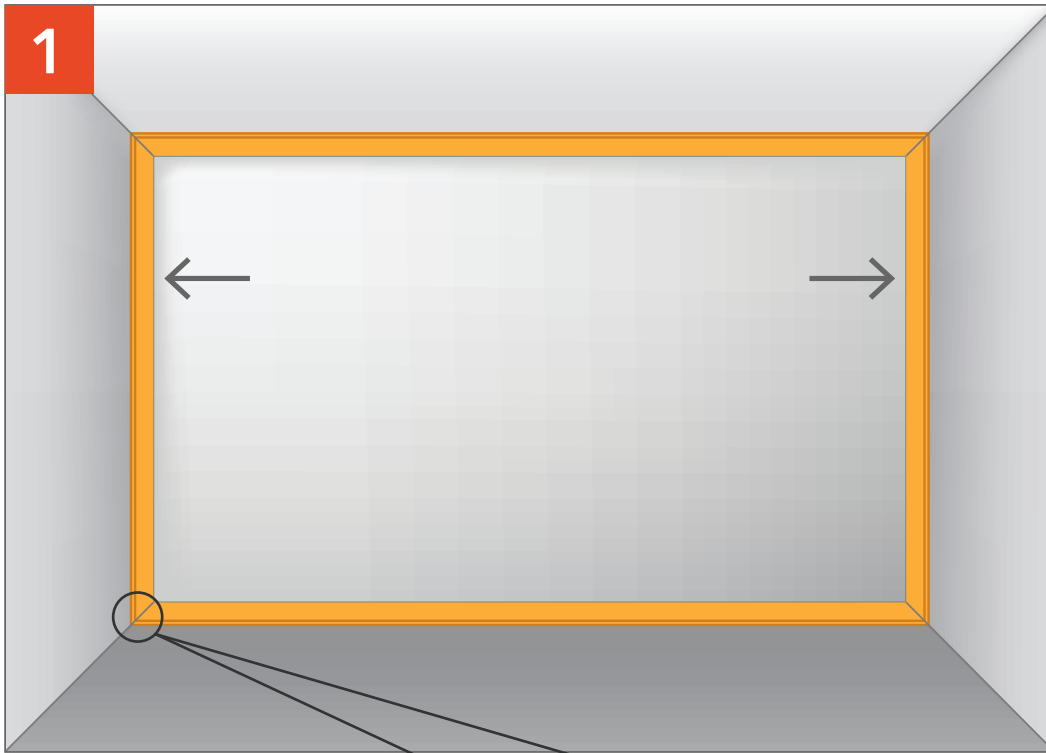
4. SEALING TAPE

5. SONOKREP VIBROHANGER

6. FRAME

7. THERMOZVUKOIZOL

8. DAMPER TAPE V100

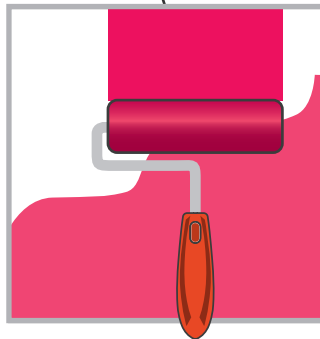
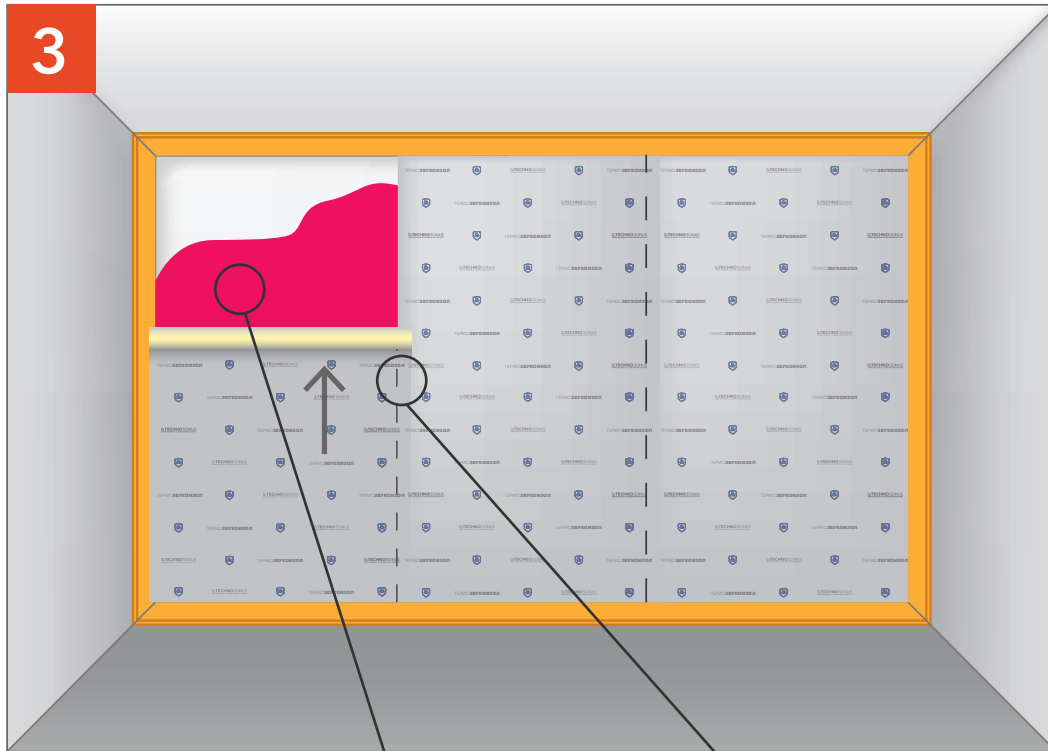


Glue perimeter of the wall with StopZvuk V100 tape using Sonetik sealant or Bautger glue.

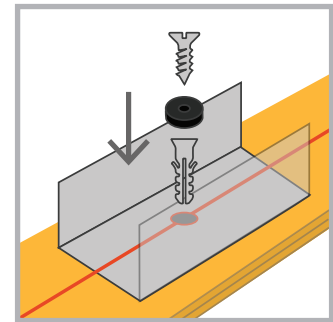
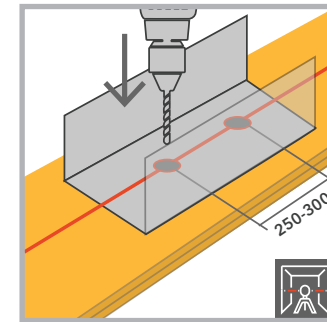
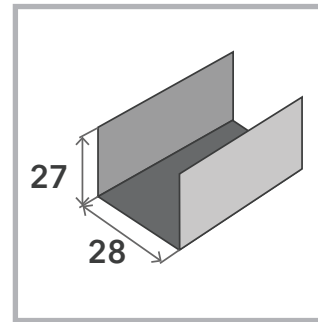
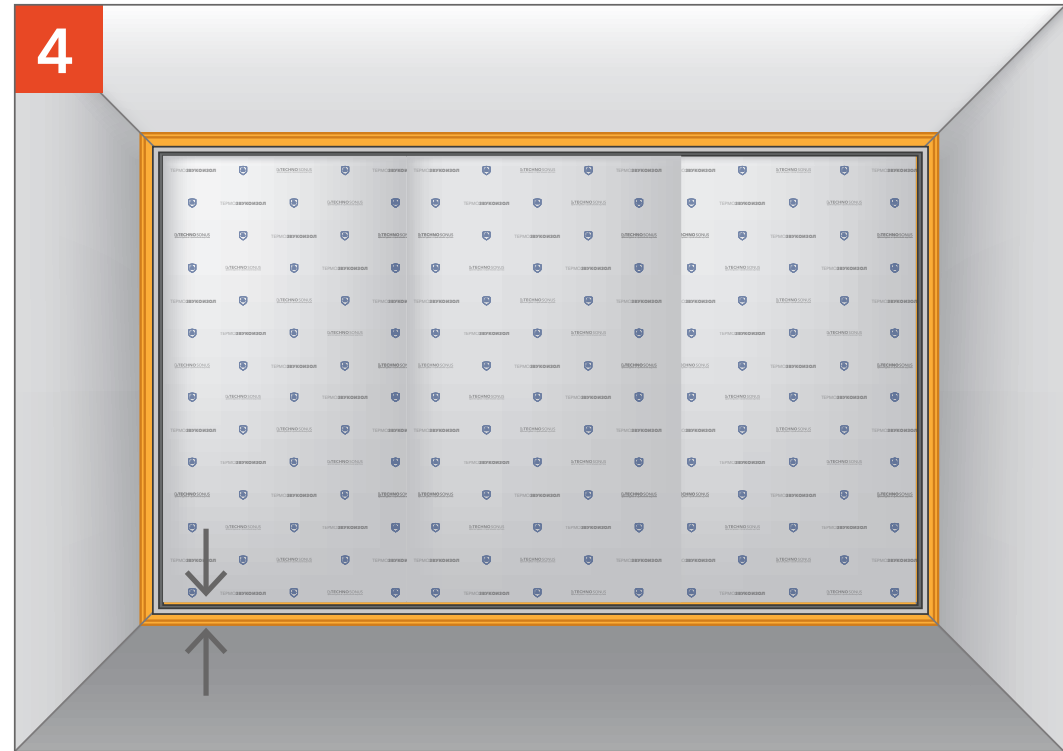
Measure out ThermoZvukolzol.

## STANDARD M1 WALL SOUND INSULATION

# STANDARD M1 WALL SOUND INSULATION

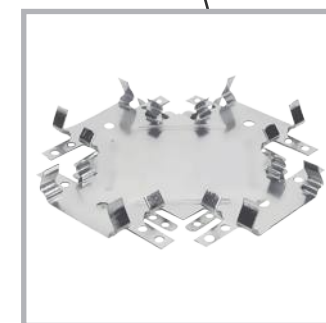
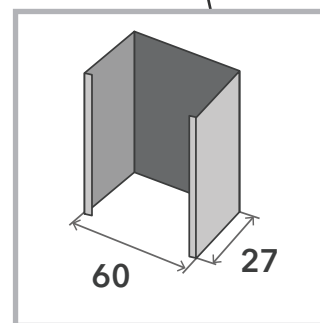
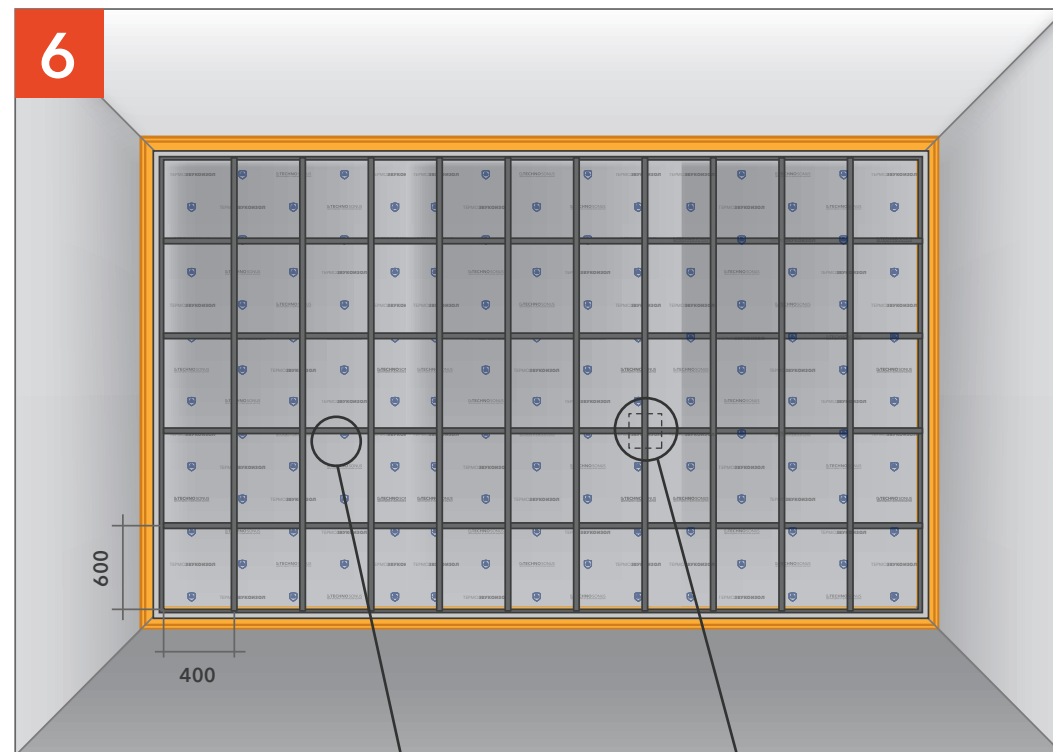
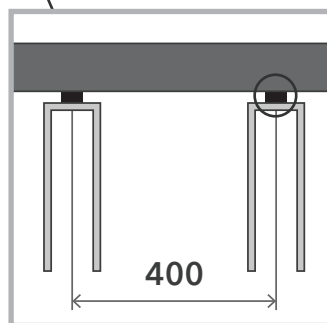
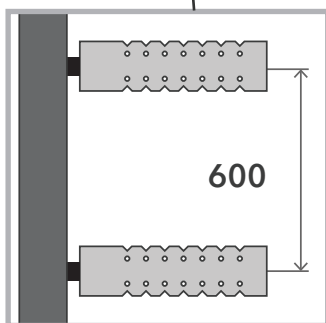
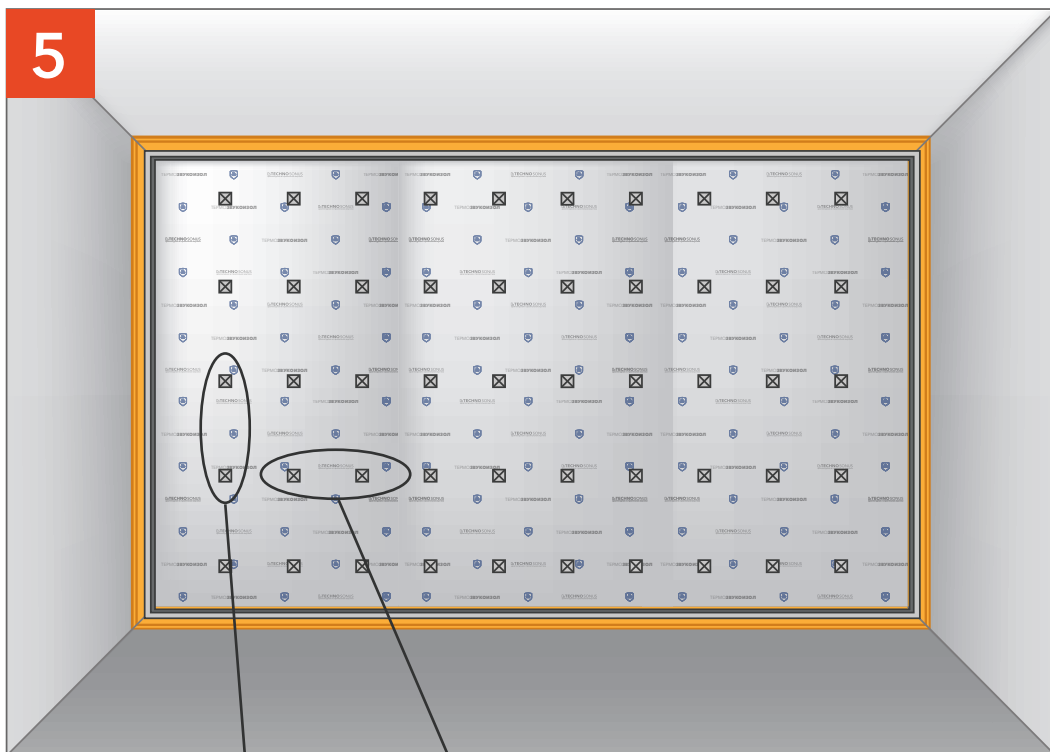


5-10 cm



Glue ThermoZvukolzol using Bautger glue.

Fix PN guide profile through StopZvuk V100 tape with 250-300 mm pitch.

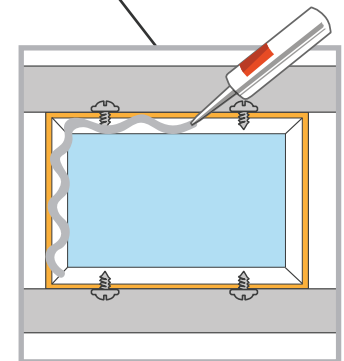
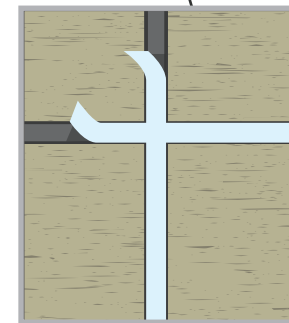
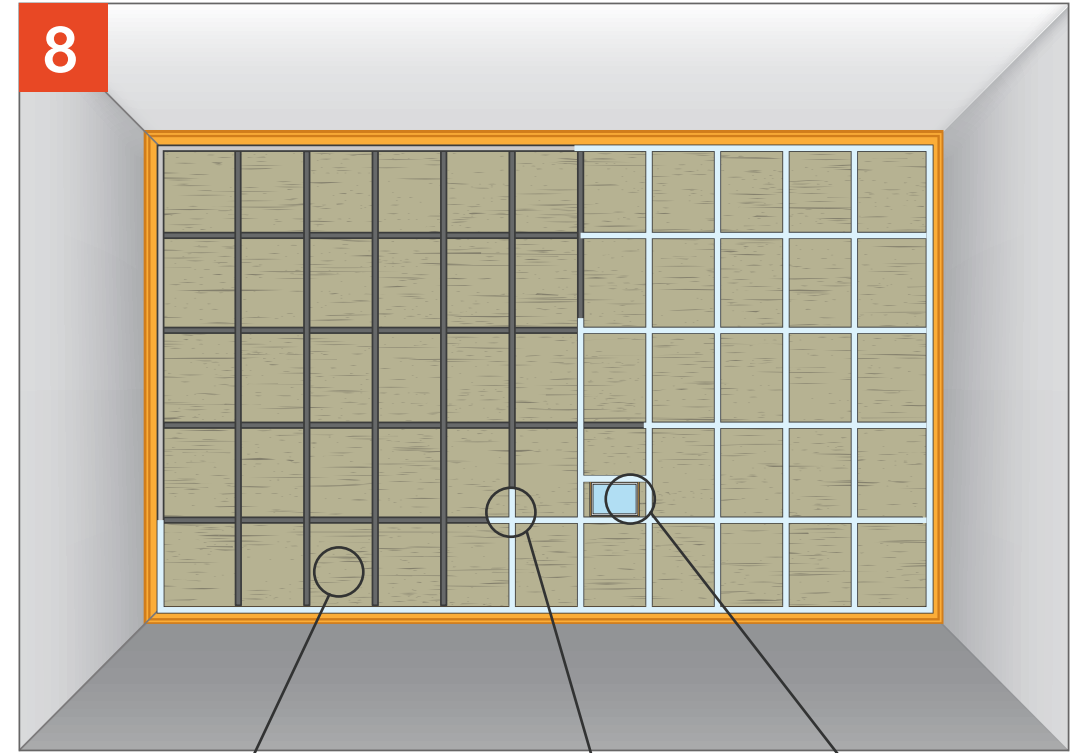
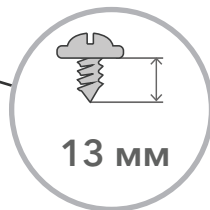
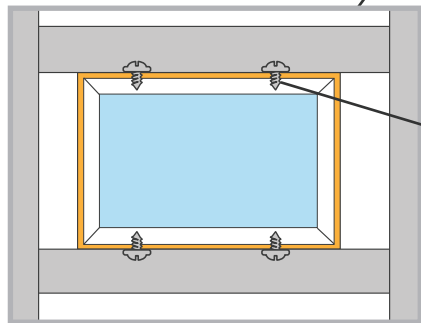
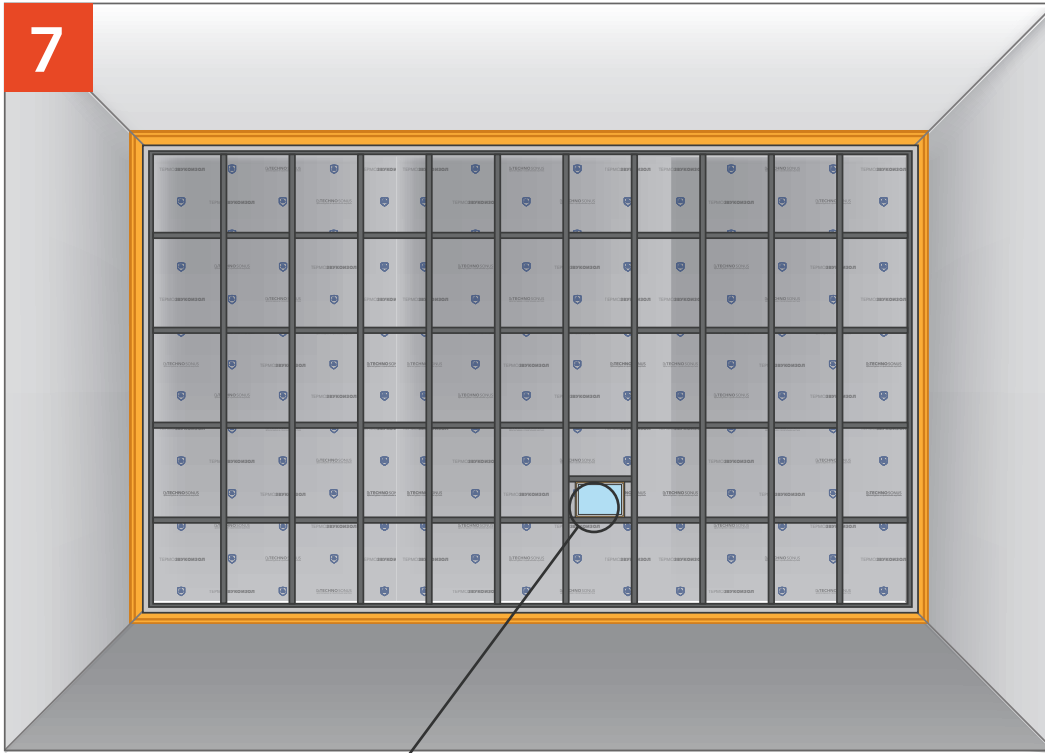


Fix Sonokrep vibrohangars with step 400 horizontally and 600 vertically.

Fasten PP profile to vibrohangars and connect them together using a single-level connector (crab).

## STANDARD M1 WALL SOUND INSULATION

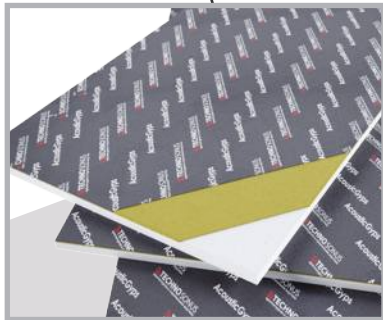
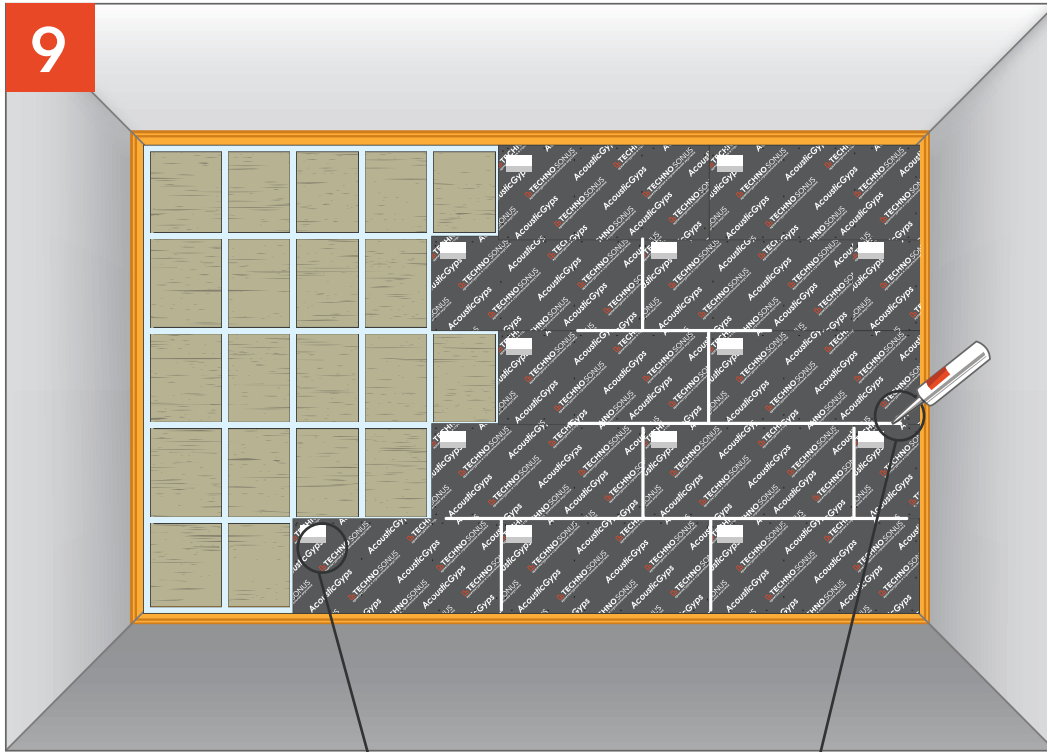
# STANDARD M1 WALL SOUND INSULATION



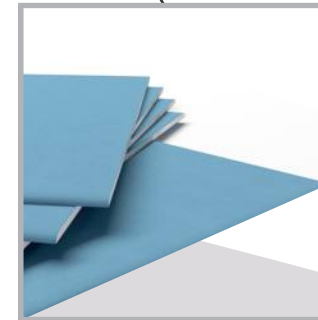
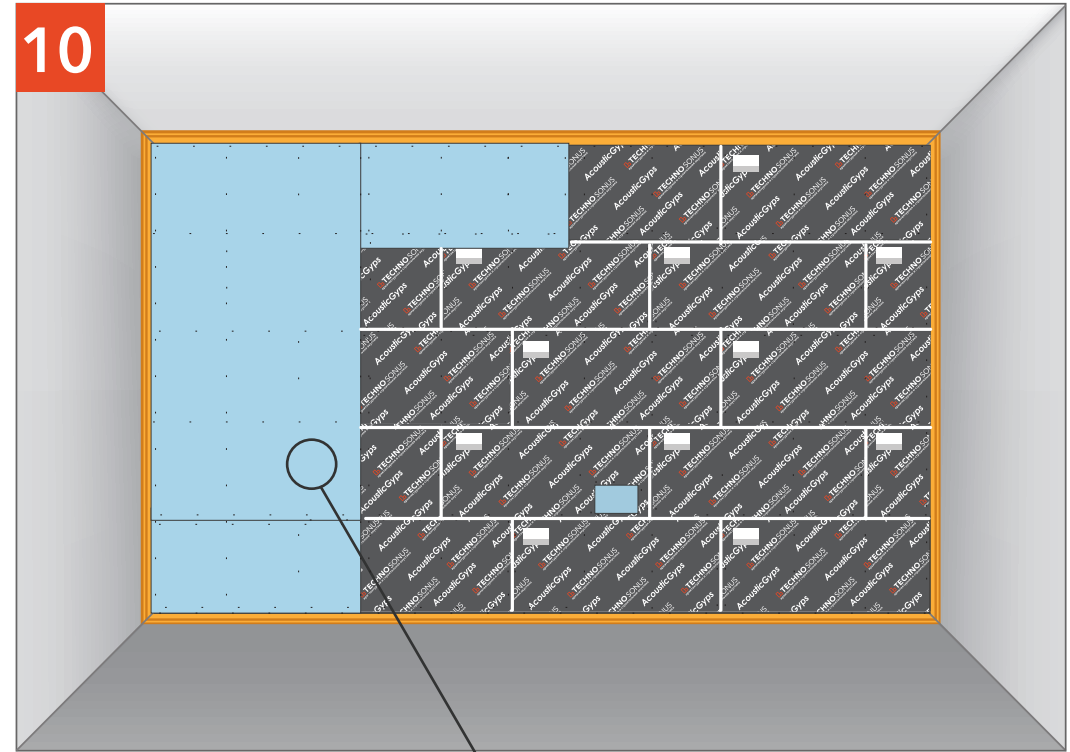
Mount AcousticGypsum Outlet Box in a prepared profile frame.

Glue damper tape on the surface of the profile, fill the space with StopZvuk BP boards.

9



10



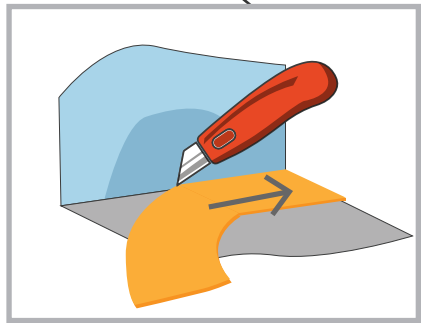
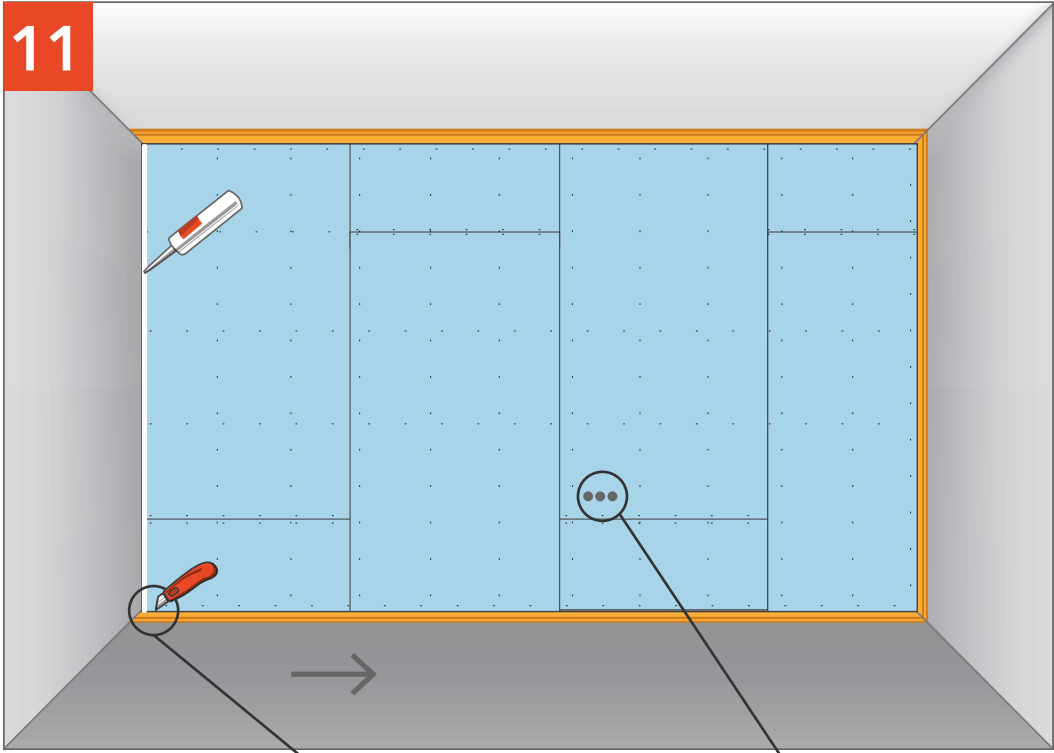
Mount AcousticGyps GKLZ sheets, fill the joints with Sonetik vibroacoustic sealant.

Mount one more AcousticGyps GKLZ layer.

## STANDARD M1 WALL SOUND INSULATION

# STANDARD M1 WALL SOUND INSULATION

11



---

---

---

---

---

---

---

---

---

---

---

---

---

---

---

---

---

---

---

---

---

---

---

---

Remove excess of StopZvuk V100 tape and seal the perimeter with Sonetik sealant.