

STANDARD M1

ON SINGLE FRAME

from typical technical solutions album of Technosonus and NIISF
version TS/01.2020/RD/S/R4 type S-4.1

components:

- PN 50/40 AcousticGyps reinforced profile
- PS 50/50 AcousticGyps reinforced profile
- V-100 vibrodamping tape
- Sealing tape
- AcousticGyps M1
- AcousticGyps GKLZ 12.5 mm
- StopZvuk BP/Eco sound-absorbing board
- TS-DG 6/60 Dowel pin · Vibrowasher
- TS-XTN 3.9x38, TS-XTN 3.9x55, TS-MM 4.2-13 self-tapping screws
- Sonetik vibroacoustic sealant
- Bautger glue

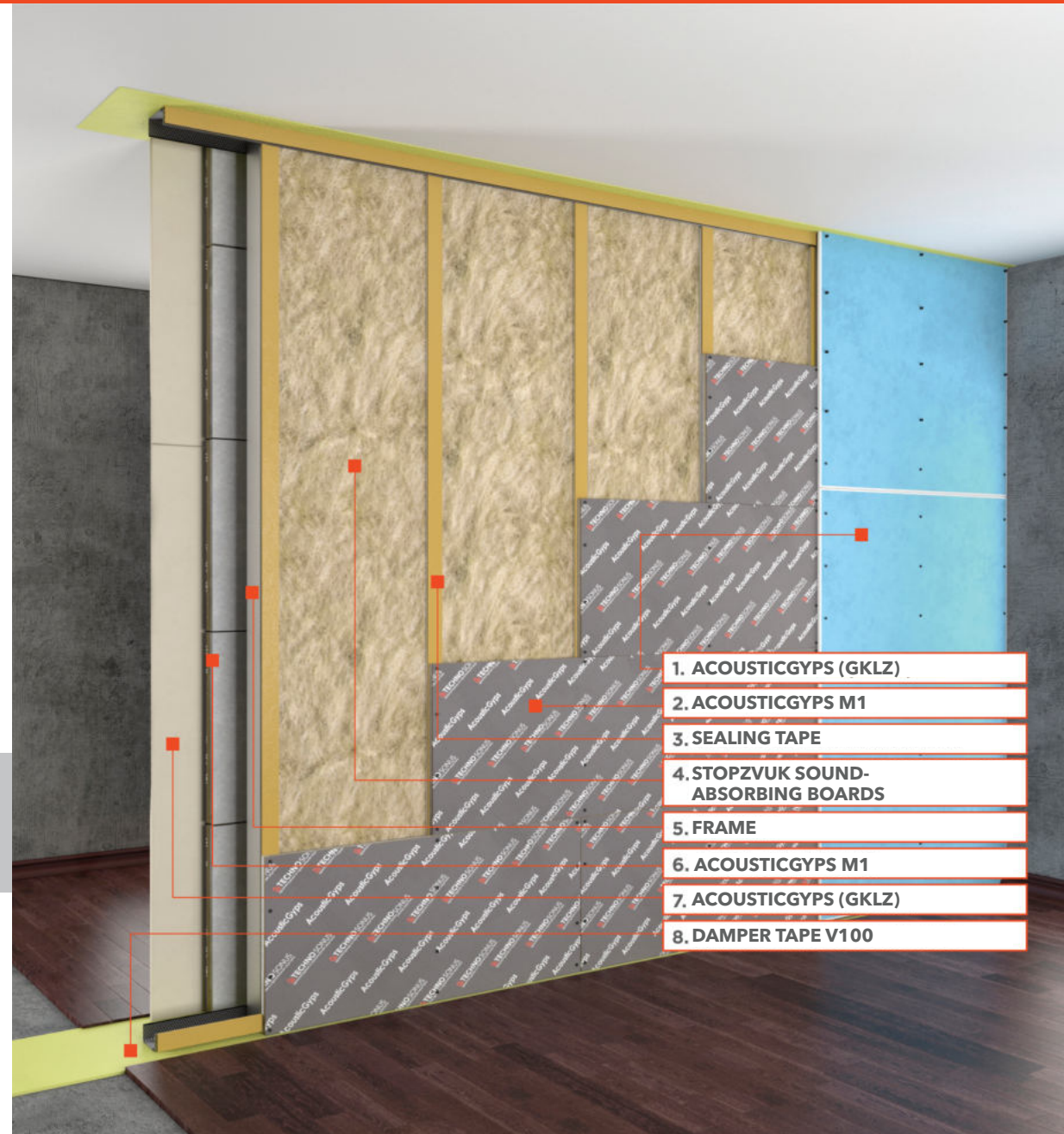


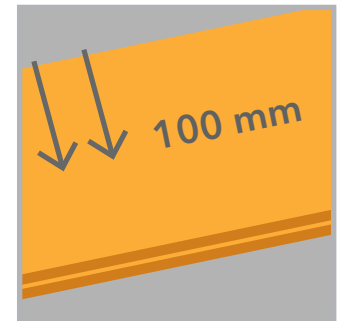
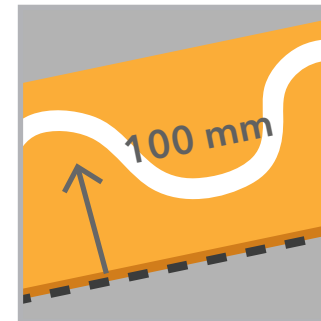
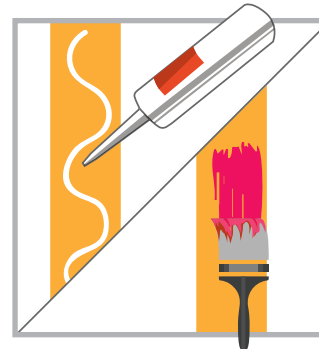
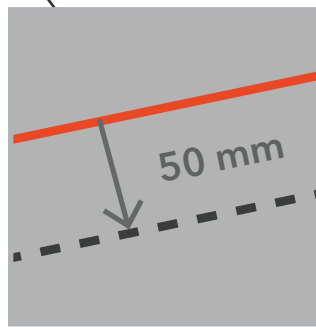
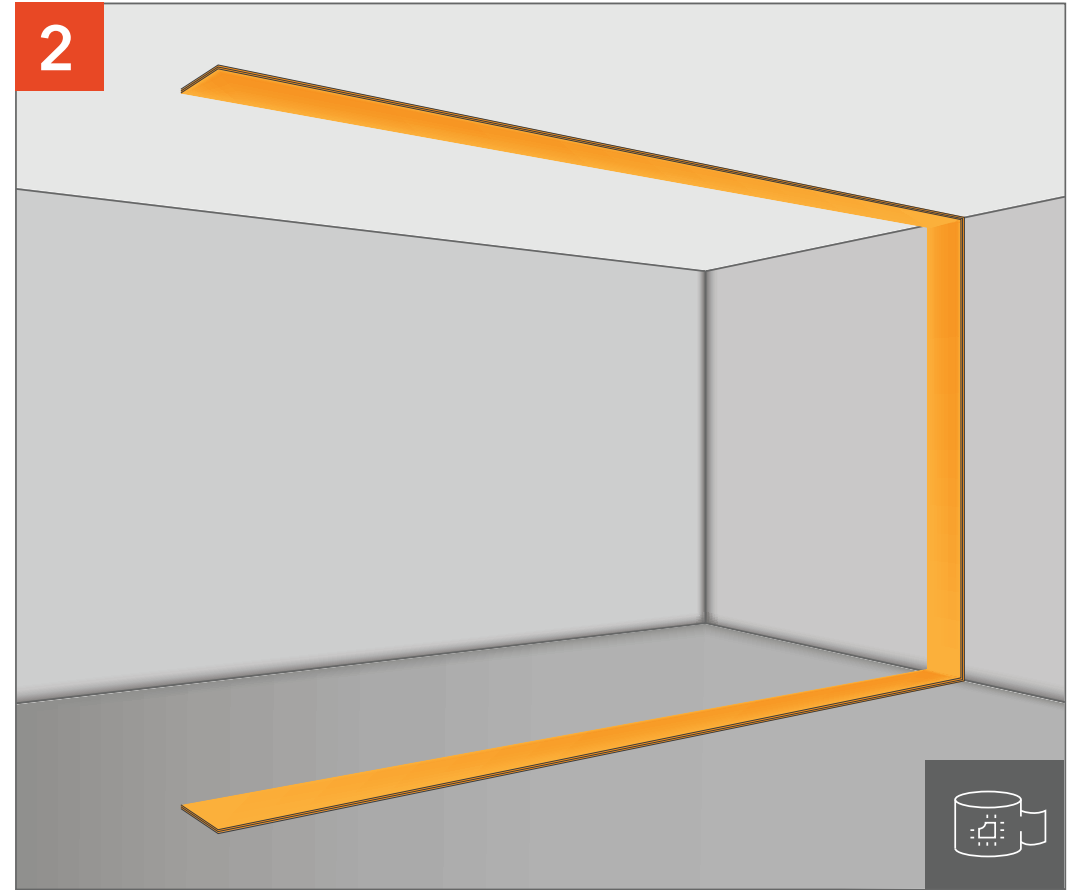
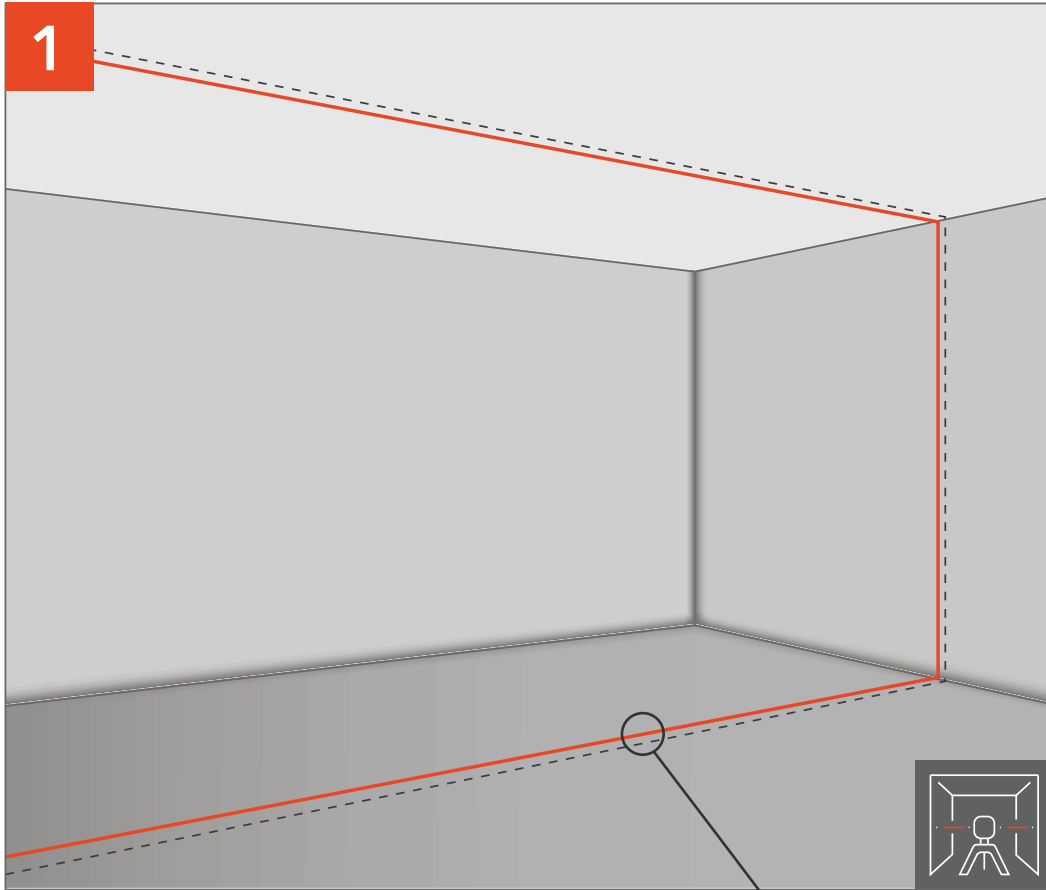
SYSTEM
THICKNESS
114 mm



AIRBORNE NOISE
REDUCTION
Rw = 60 dB

Modern efficient system for sound insulation of two premises from each other. For use in hotels, cabinets, meeting rooms, production shops, etc. Provides maximum protection of a premise against airborne noise.



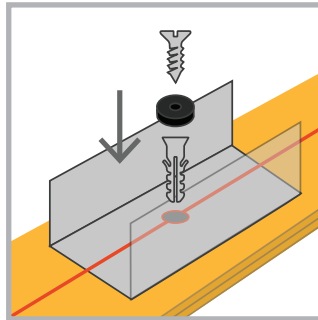
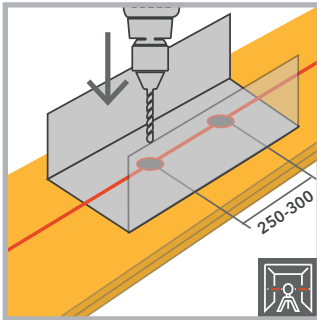
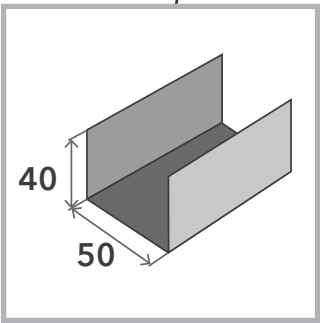
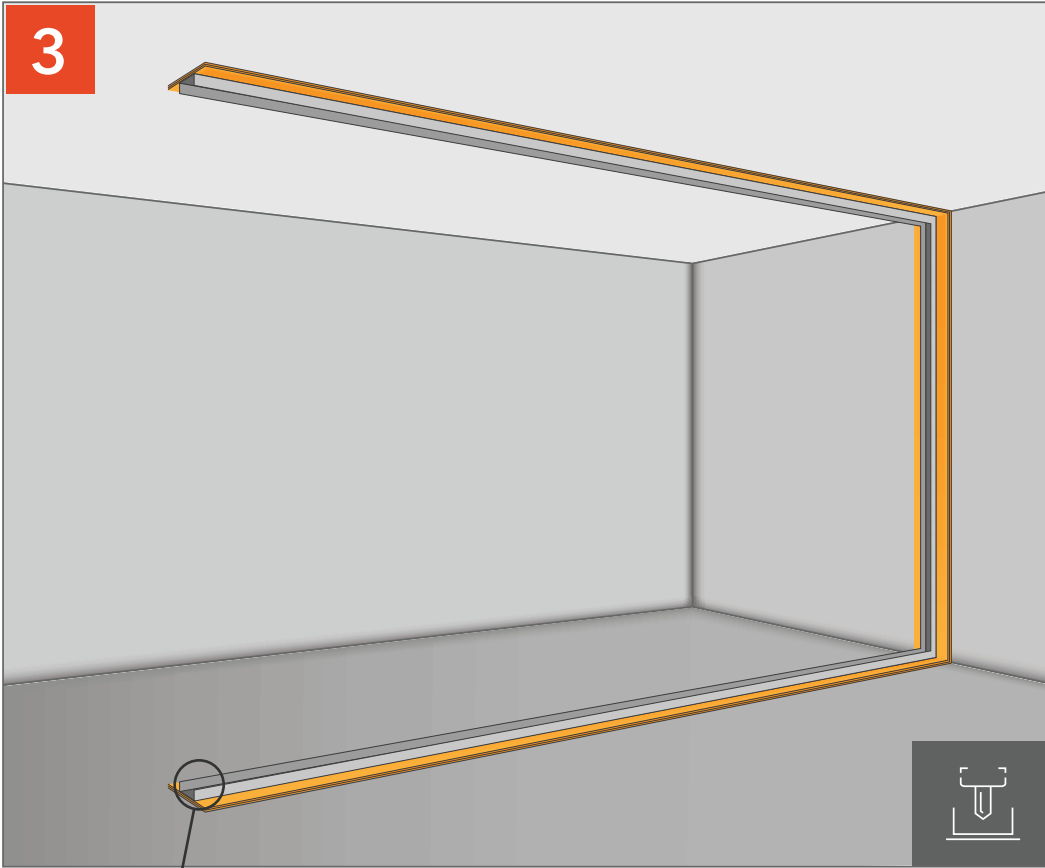


Mark the center line of the partition.

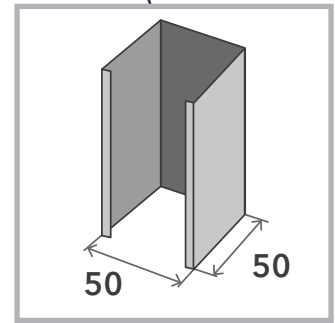
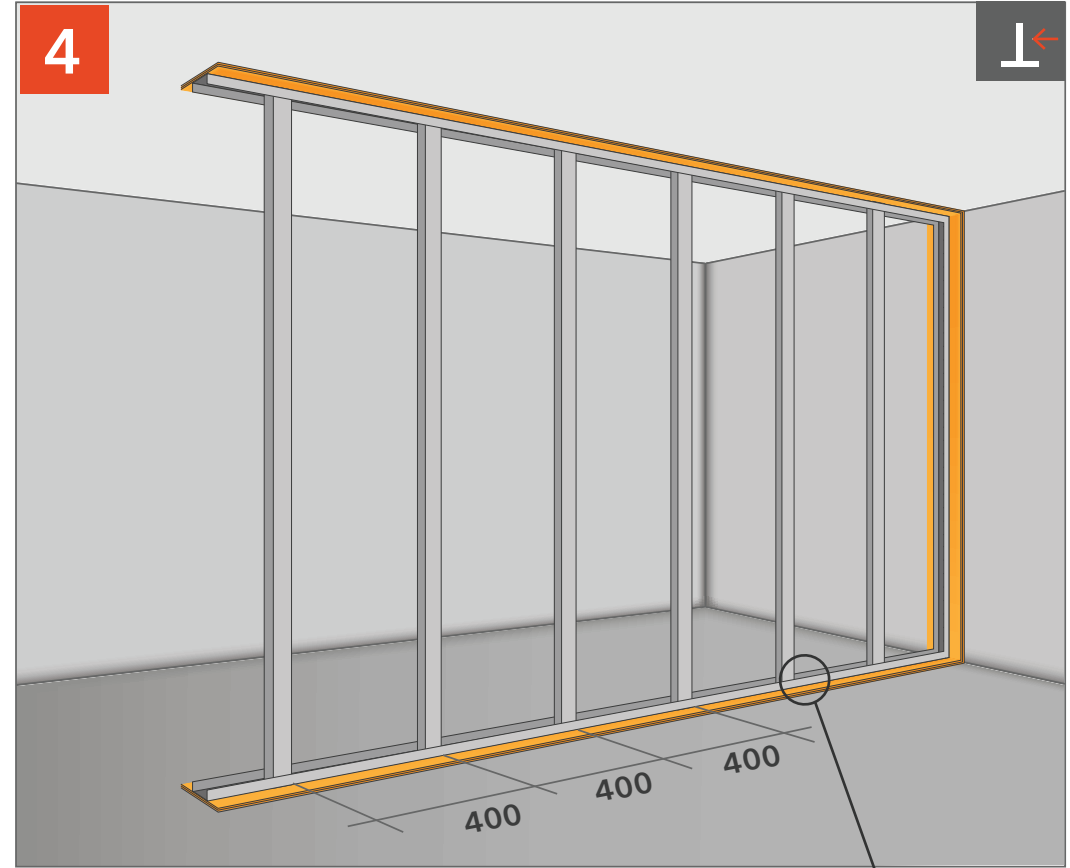
Glue StopZvuk V100 tape using Sonetik vibroacoustic sealant or Bautger glue.

STANDARD M1 PARTITION SOUND INSULATION

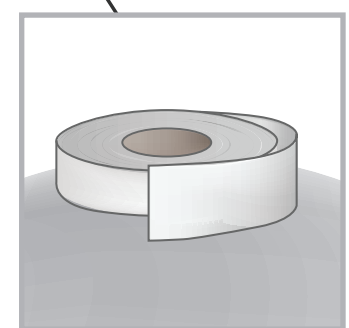
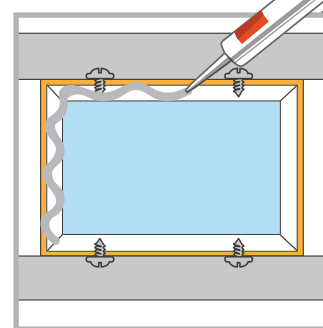
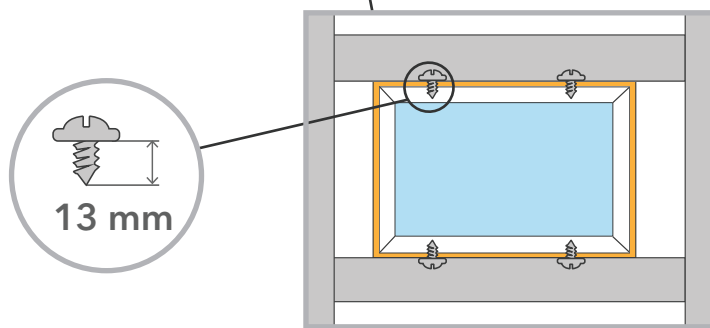
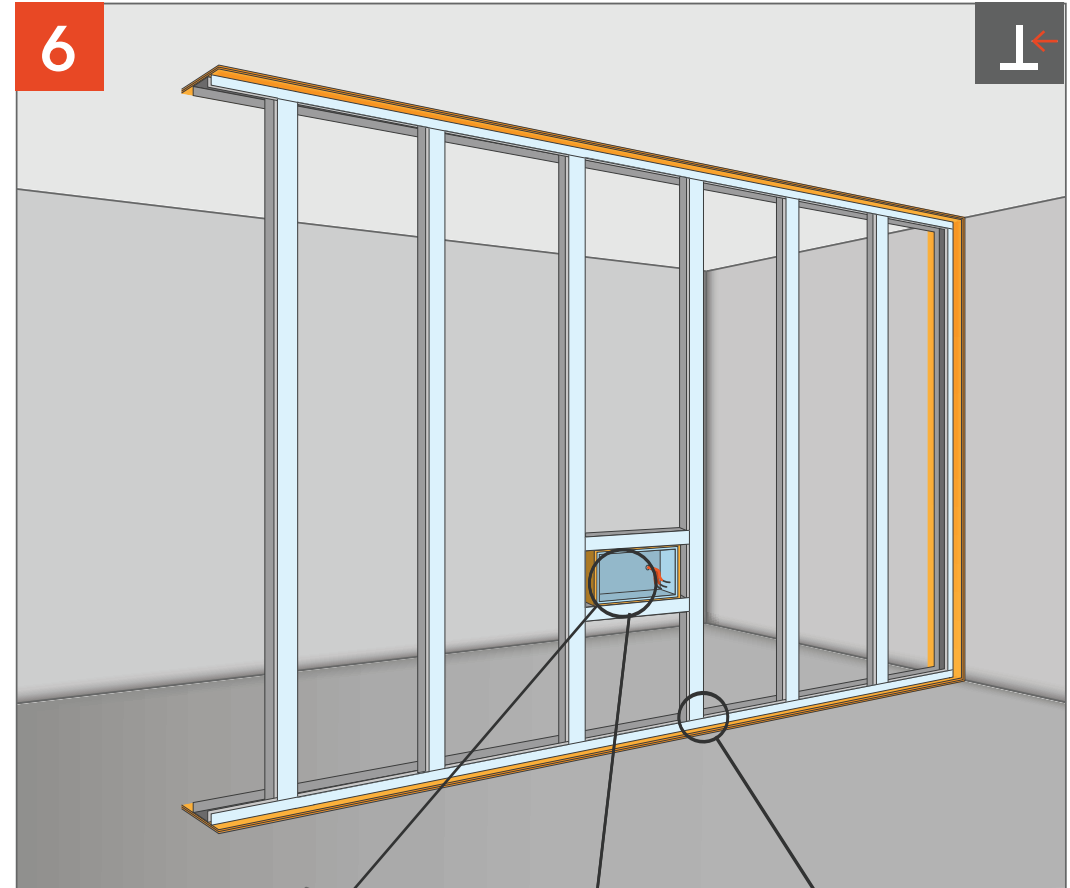
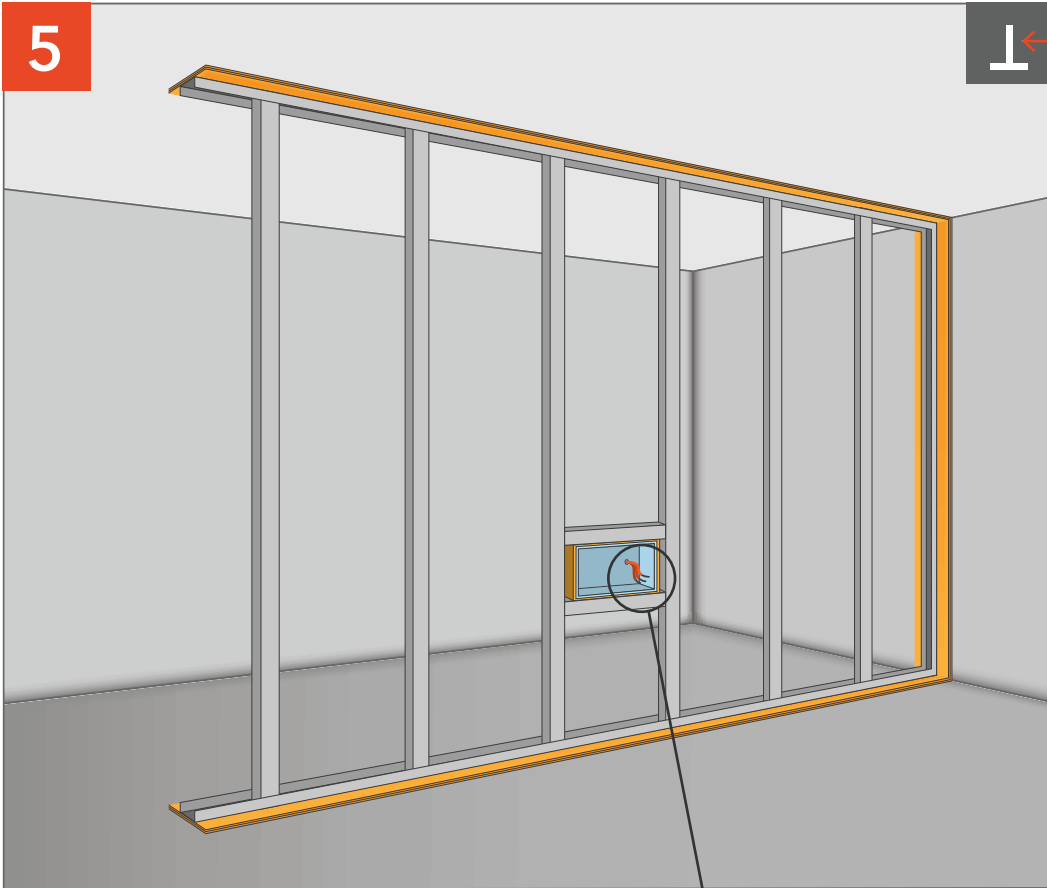
STANDARD M1 PARTITION SOUND INSULATION



Fasten PN profile with 250-300 mm pitch between the dowel pins.



Mount PS profile with 400 mm pitch.

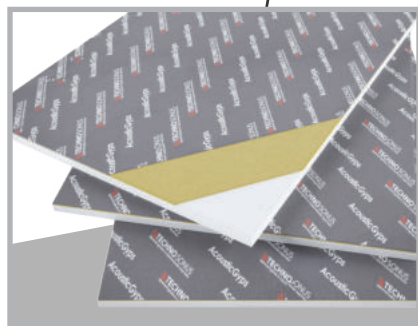
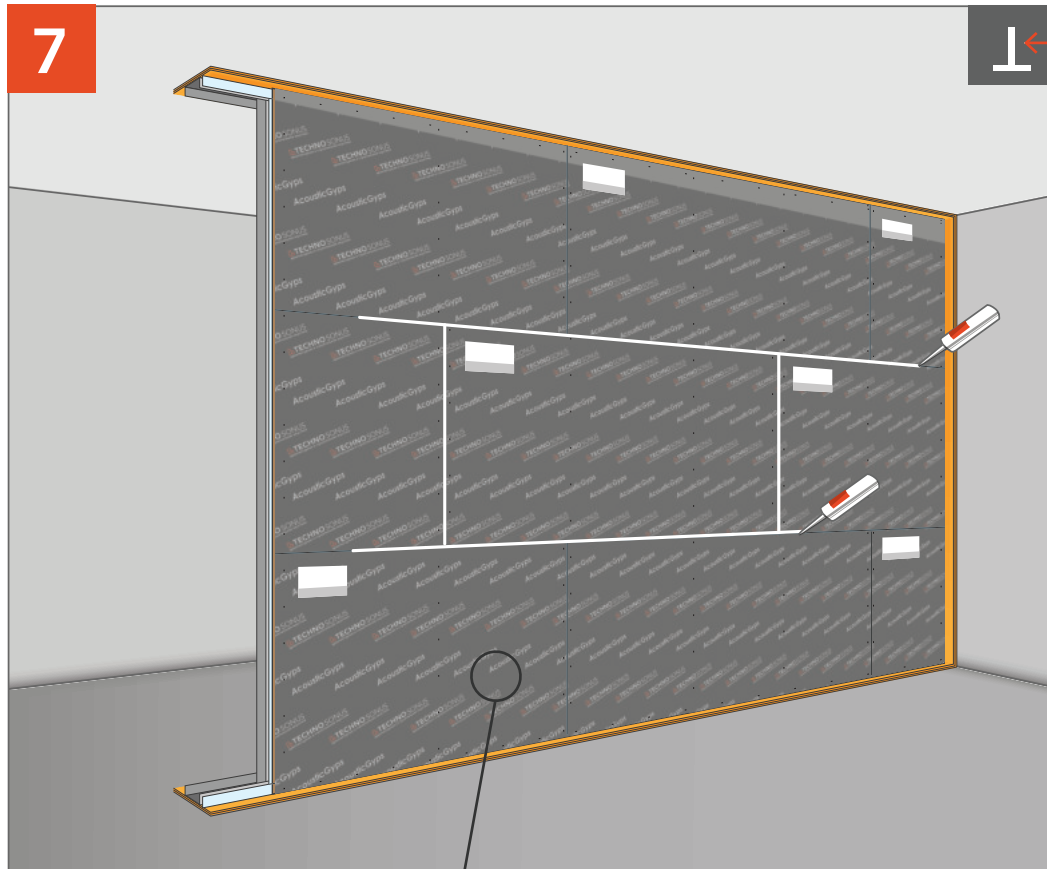


Mount AcousticGypsum Outlet Box in a prepared profile frame.

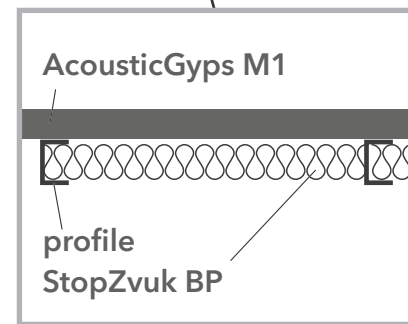
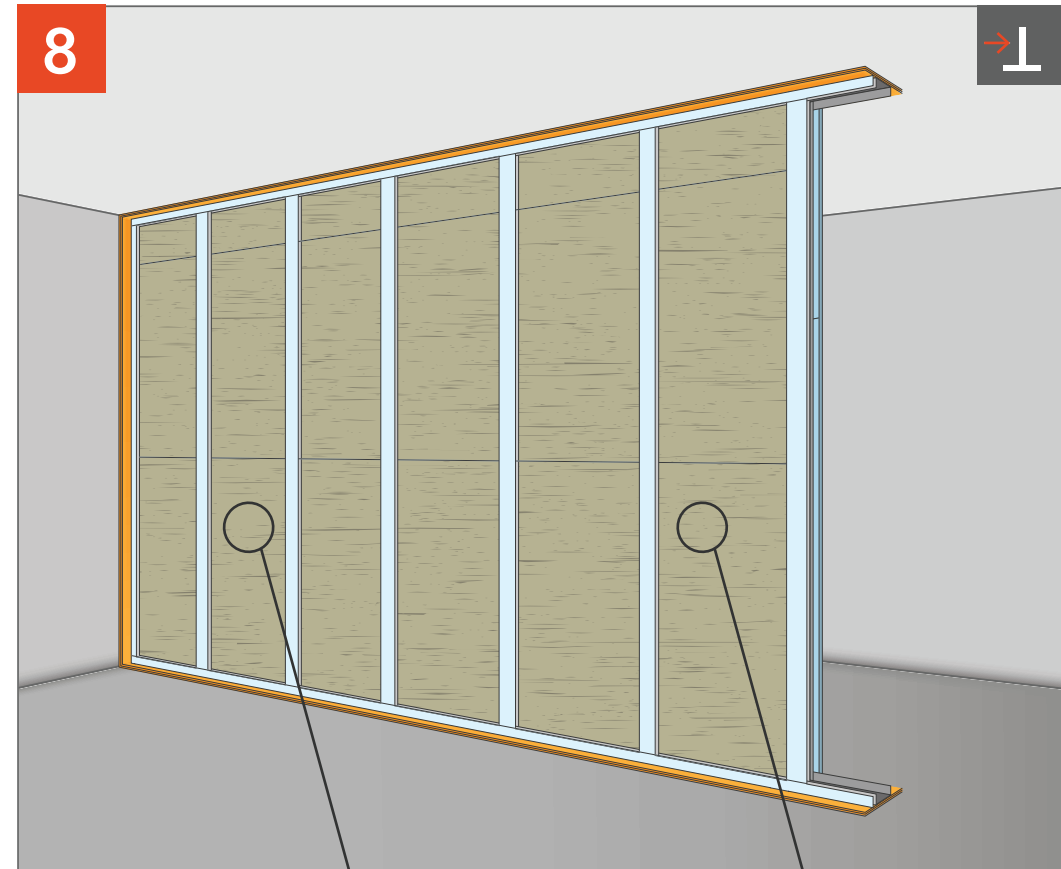
Glue the frame with damper tape.
Apply Sonetik vibroacoustic sealant to the surface of the outlet box.

STANDARD M1 PARTITION SOUND INSULATION

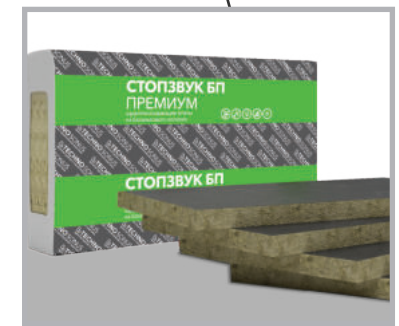
STANDARD M1 PARTITION SOUND INSULATION

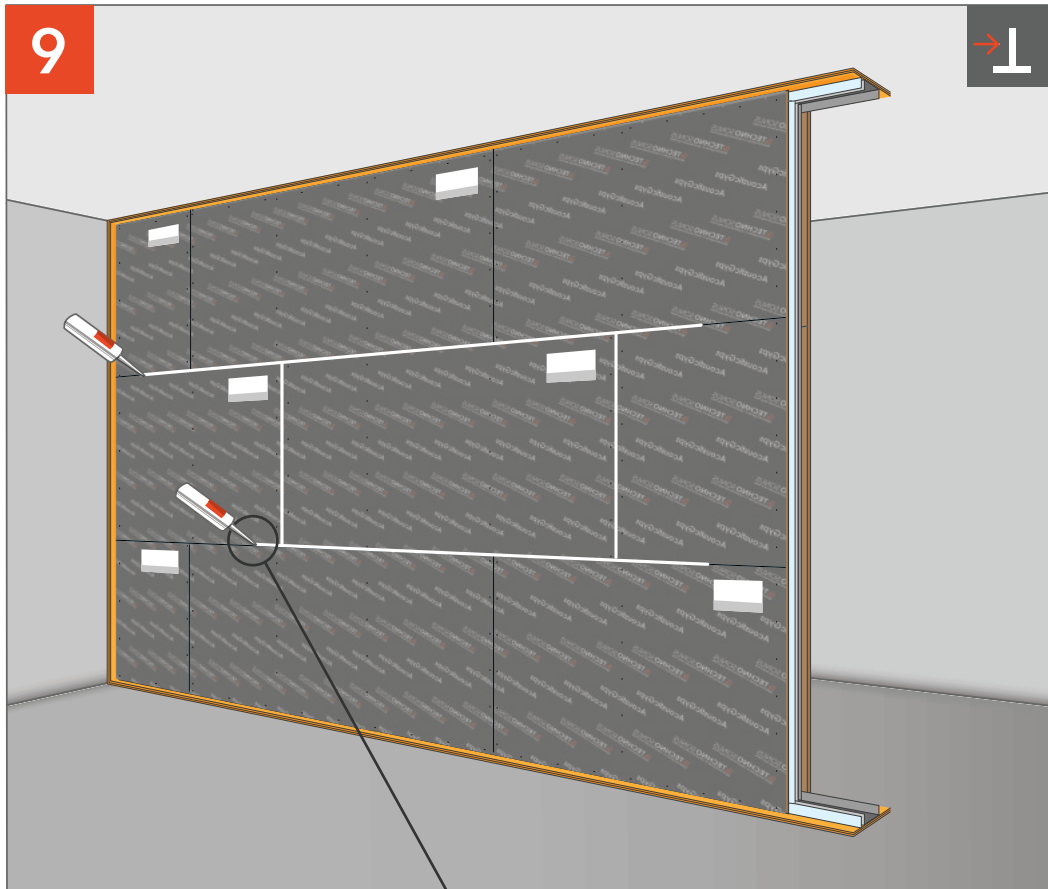


Mount AcousticGyps GKLZ panels, fill the joints with Sonetik vibroacoustic sealant.

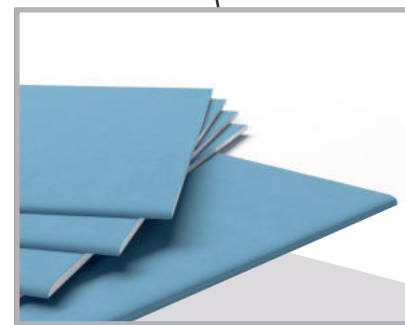
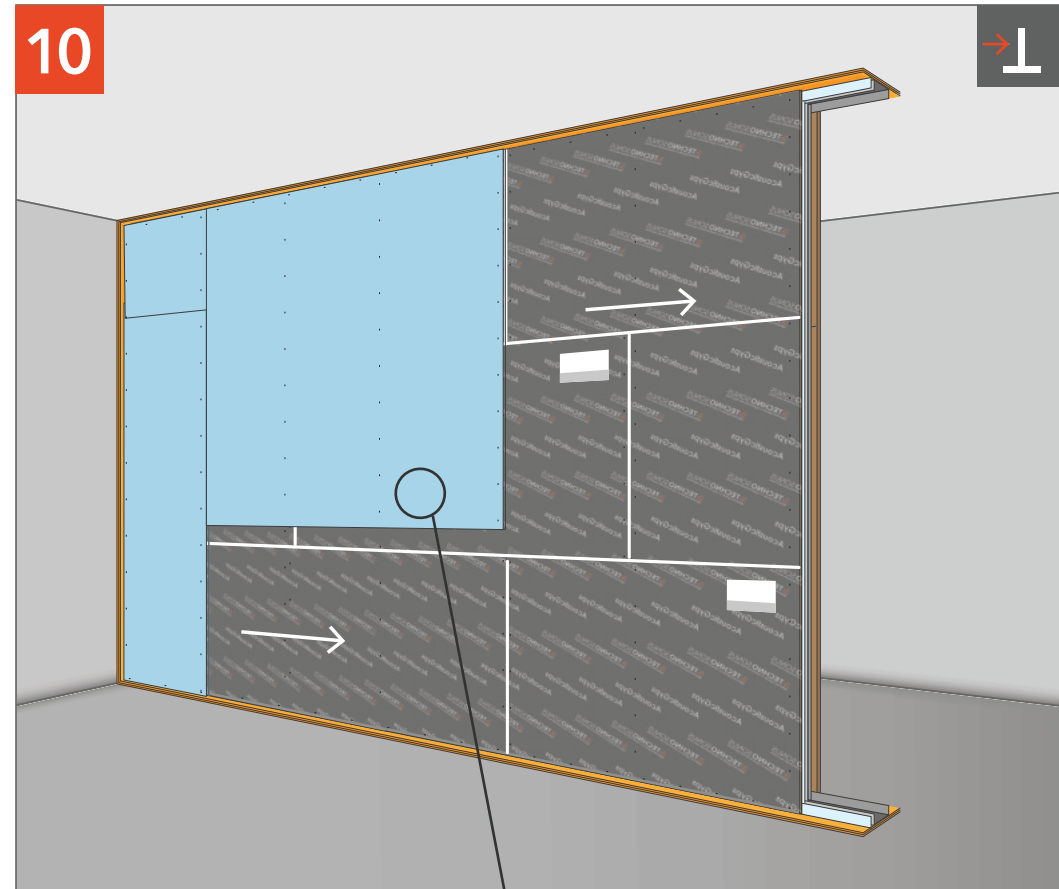


Fill the frame with StopZvuk BP boards.





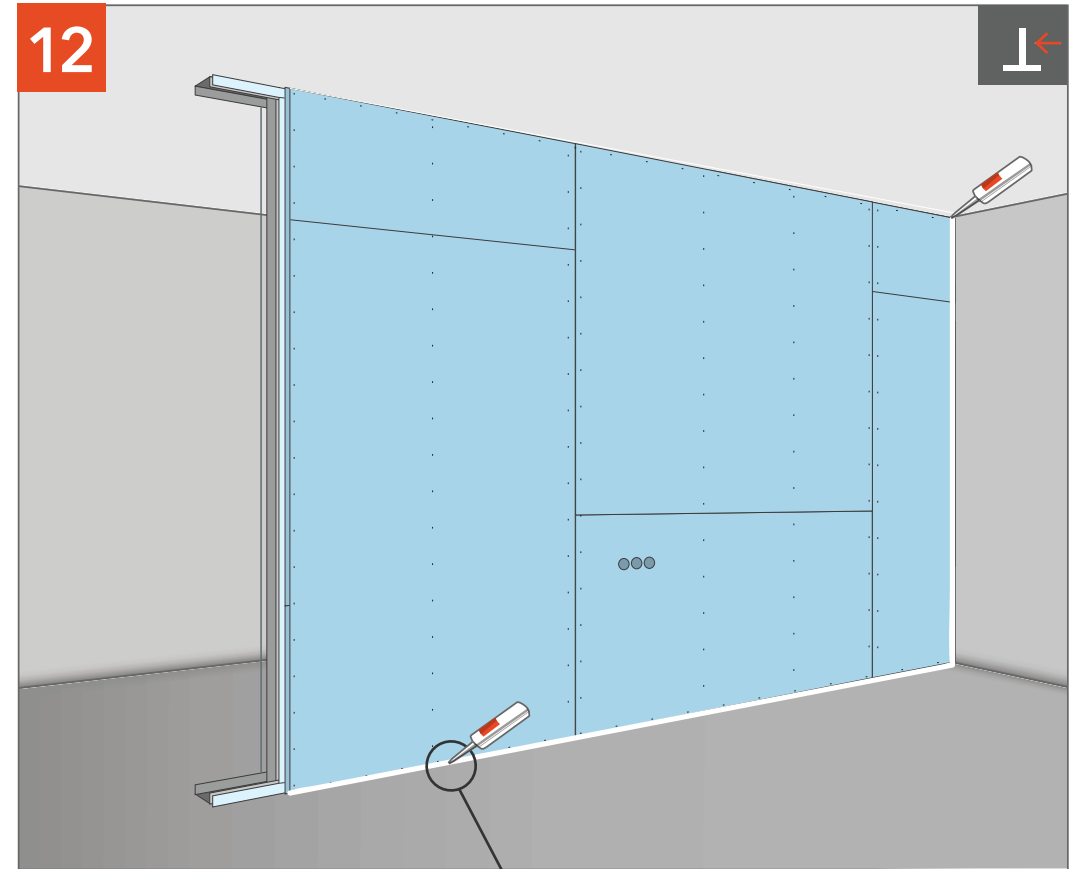
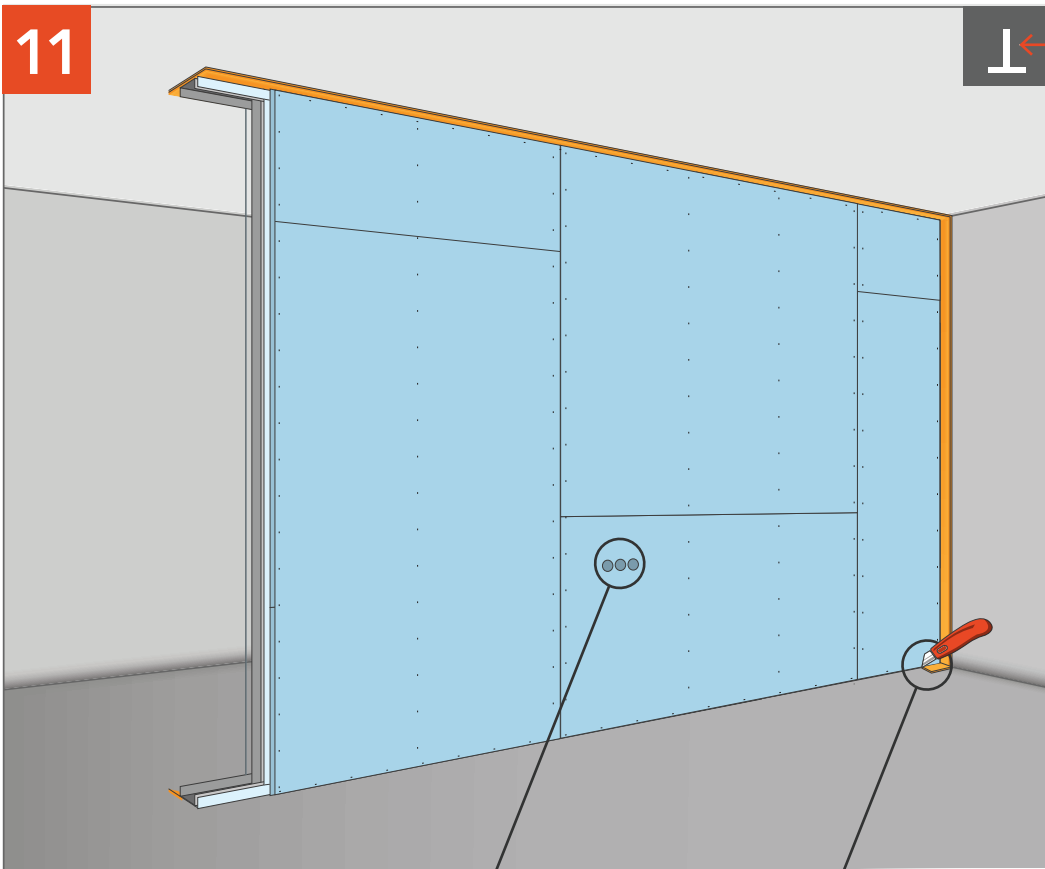
Mount AcousticGyps GKLZ panels, fill the joints with Sonetik vibroacoustic sealant.



Mount a layer of AcousticGyps GKLZ.

STANDARD M1 PARTITION SOUND INSULATION

STANDARD M1 PARTITION SOUND INSULATION



Remove excess of StopZvuk V100 tape.

Промазываем периметр виброакустическим герметиком Сонетик.