

CEILING SOUND INSULATION

PREMIUM P

from typical technical solutions album of Technosonus and NIISF
version TS/01.2020/RD/S/R4 type S-4.1

Components:

- Tecsound FT membrane
- V-100 vibration cushioning band
- Sonokrep anti-vibration hangers
- AcousticGyps PPN reinforced profiles 27/28, PP 60/27
- AcousticGyps single-level connectors (Crab) for PP 60/27
- AcousticGyps extensions for PP 60/27
- DB Sealing band
- StopZvuk BP/Eco sound absorbing boards
- Sonoplat Standard panel, Sonoplat band
- Disk-shaped dowel nails TC-ДГ 6x60, Vibration isolation washers
- Self-threading screws TC-XTN 3.9x38, TC-XTN 3.9x55, TC-MM 4.2x13
- Sonetic vibroacoustic sealant, Bautger adhesive

*Effective system with high soundproofing performance.
It may be used both in residential buildings and apartments
of enhanced comfort, and in special purpose facilities
(recording studios, conference rooms, movie and concert halls,
restaurants, karaoke-bars, etc.).*



SYSTEM
THICKNESS
92,5 mm



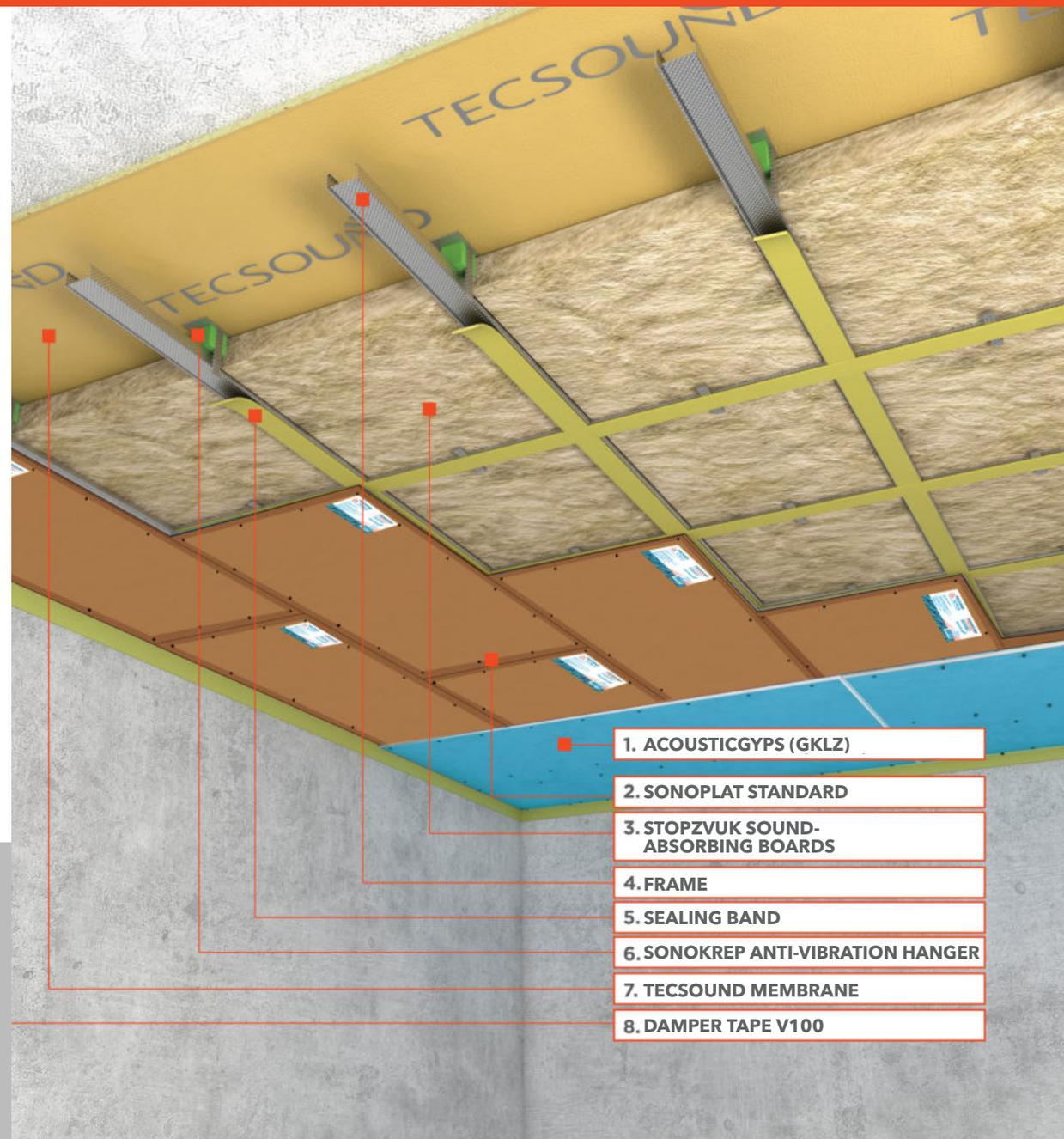
AIRBORNE
NOISE REDUCTION
Rw = 72 dB

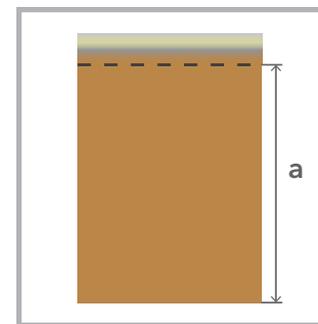
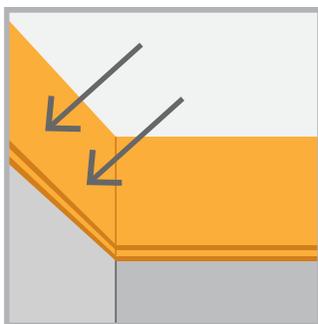
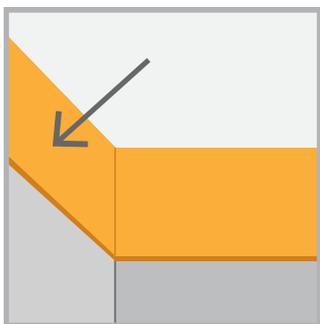
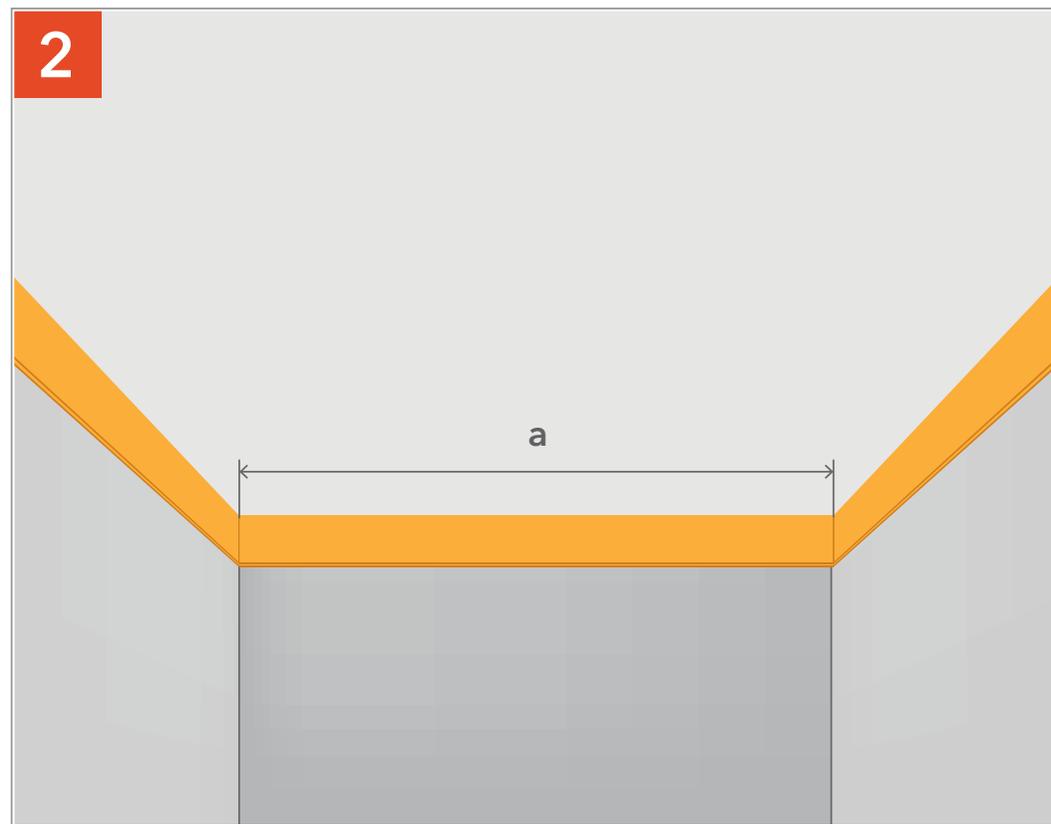
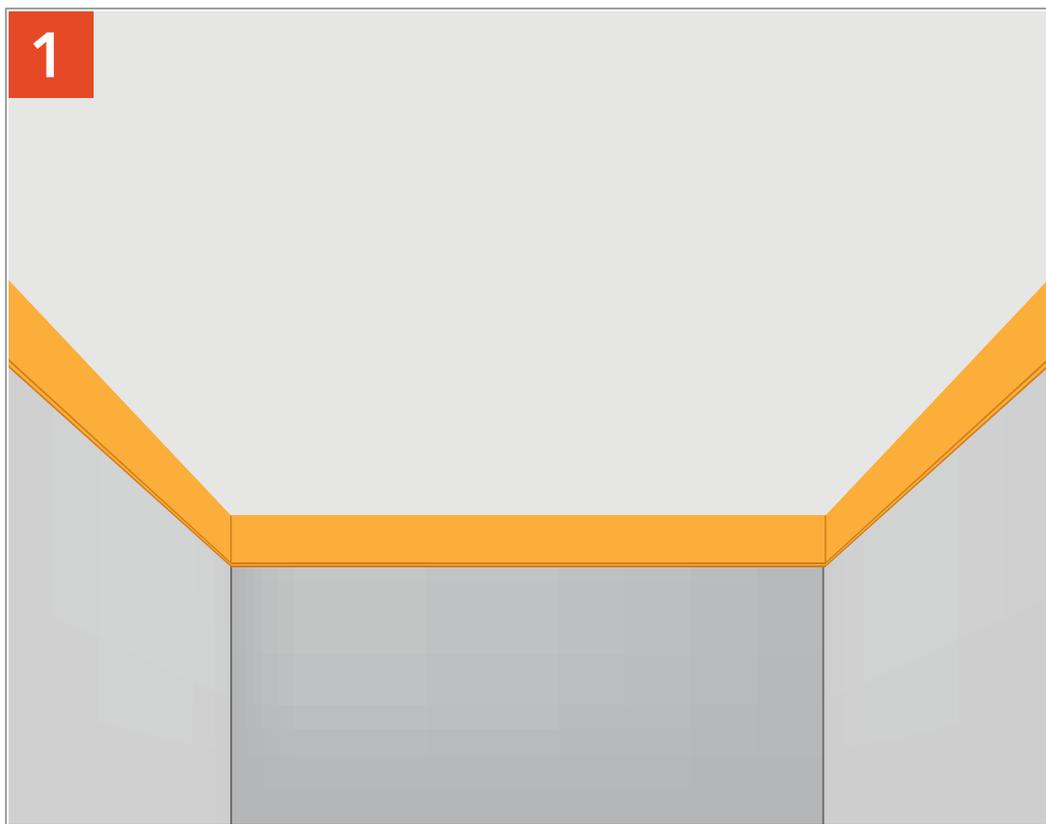


SOUND INSULATION
ADDITION
▲ Rw = 21 dB



IMPACT NOISE
REDUCTION
▲ Lnw = 18 dB



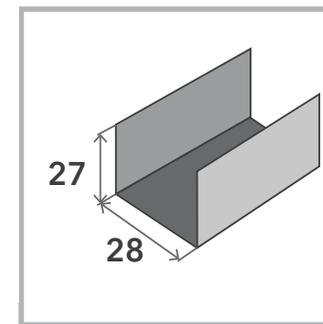
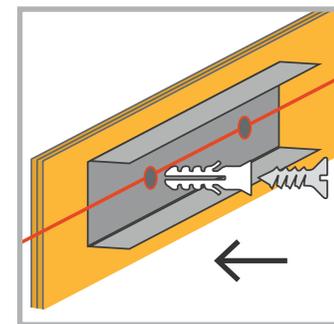
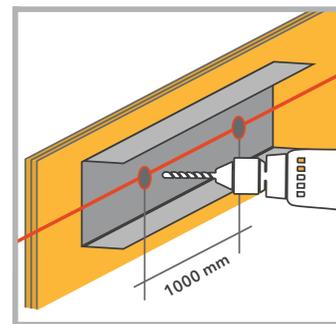
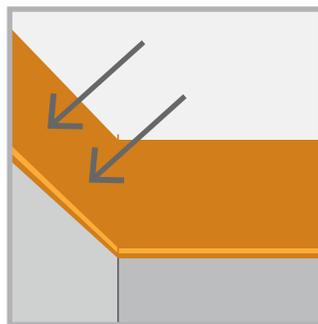
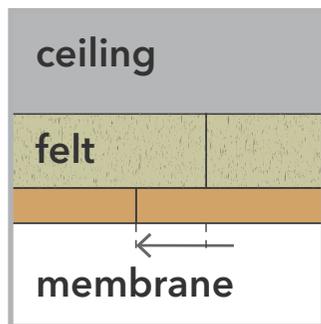
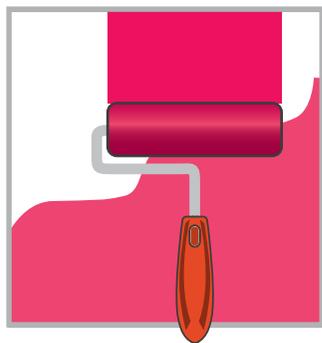
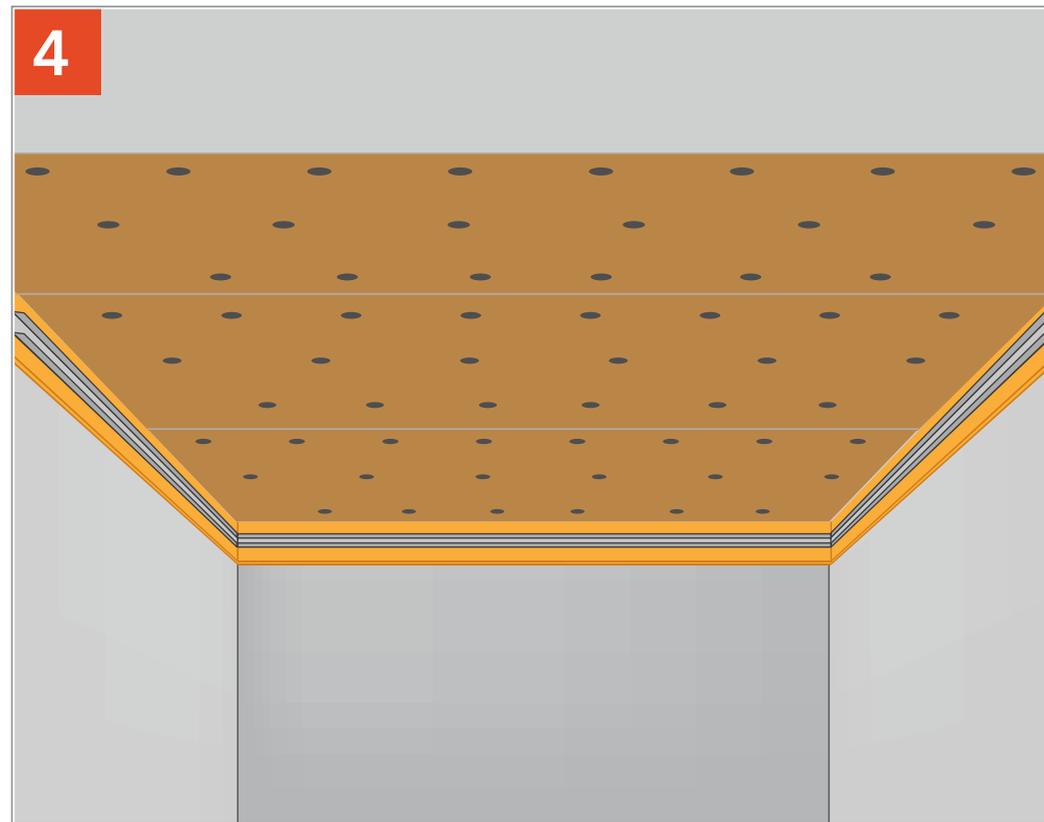
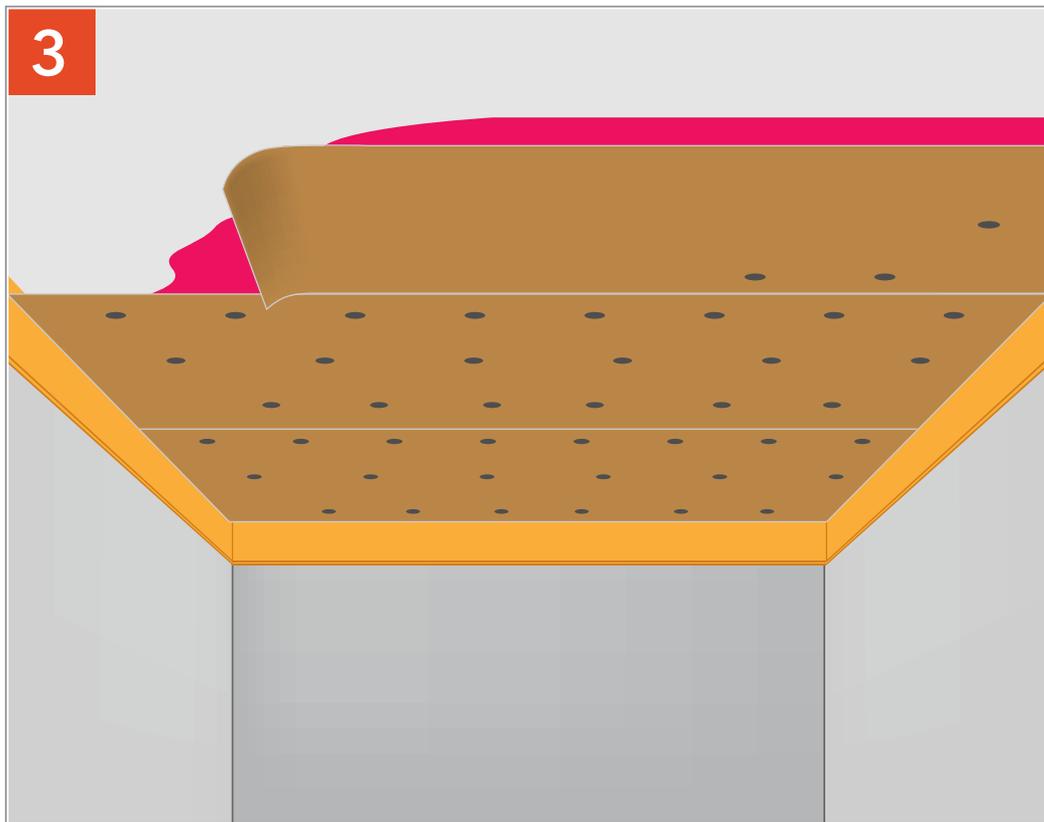


Glue StopZvuk V100 band along the perimeter of the wall with Sonetic vibroacoustic sealant or Bautger adhesive.

Measure a piece of Tecsoud FT membrane.

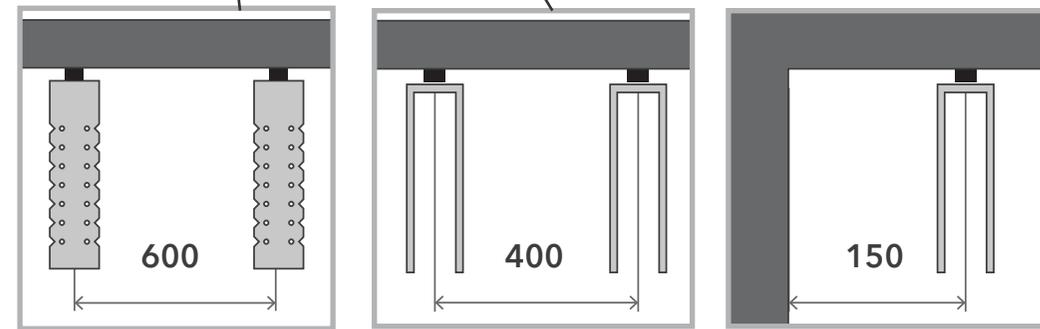
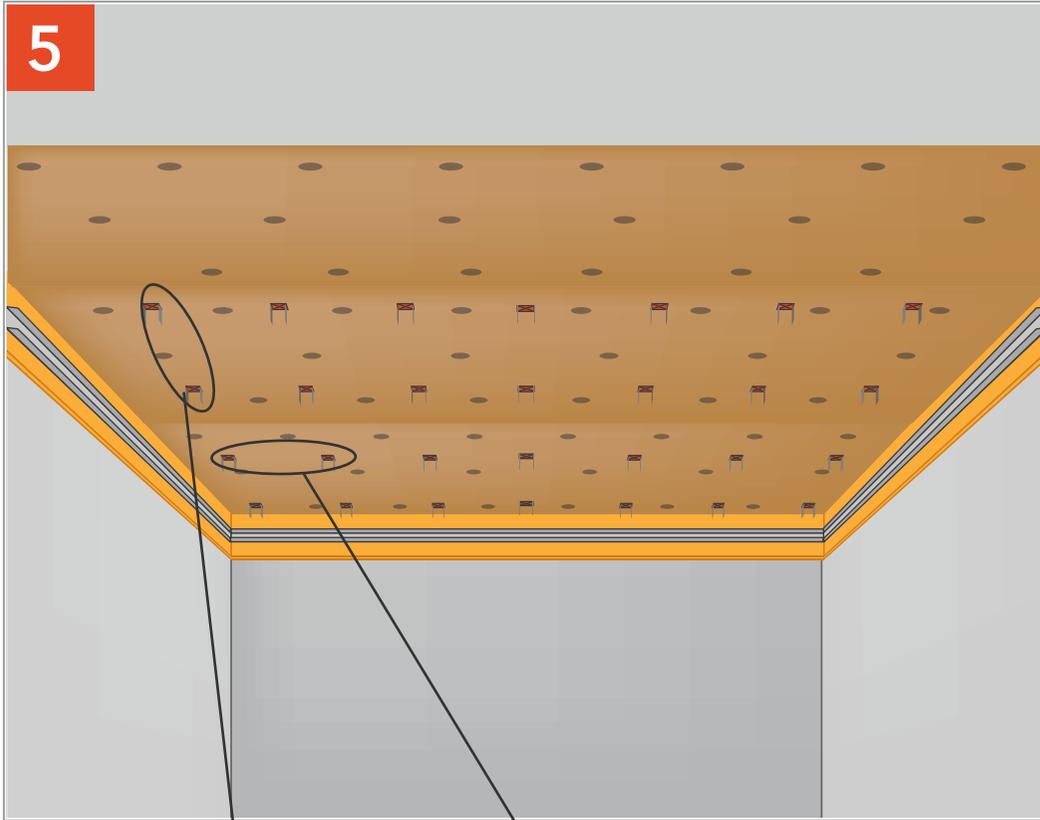
PREMIUM P CEILING SOUNDPROOFING SYSTEM

PREMIUM P CEILING SOUNDPROOFING SYSTEM

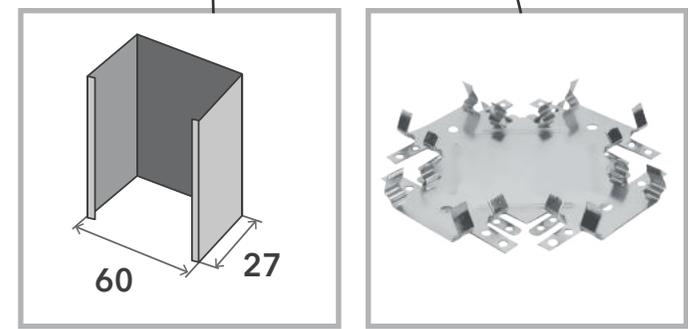
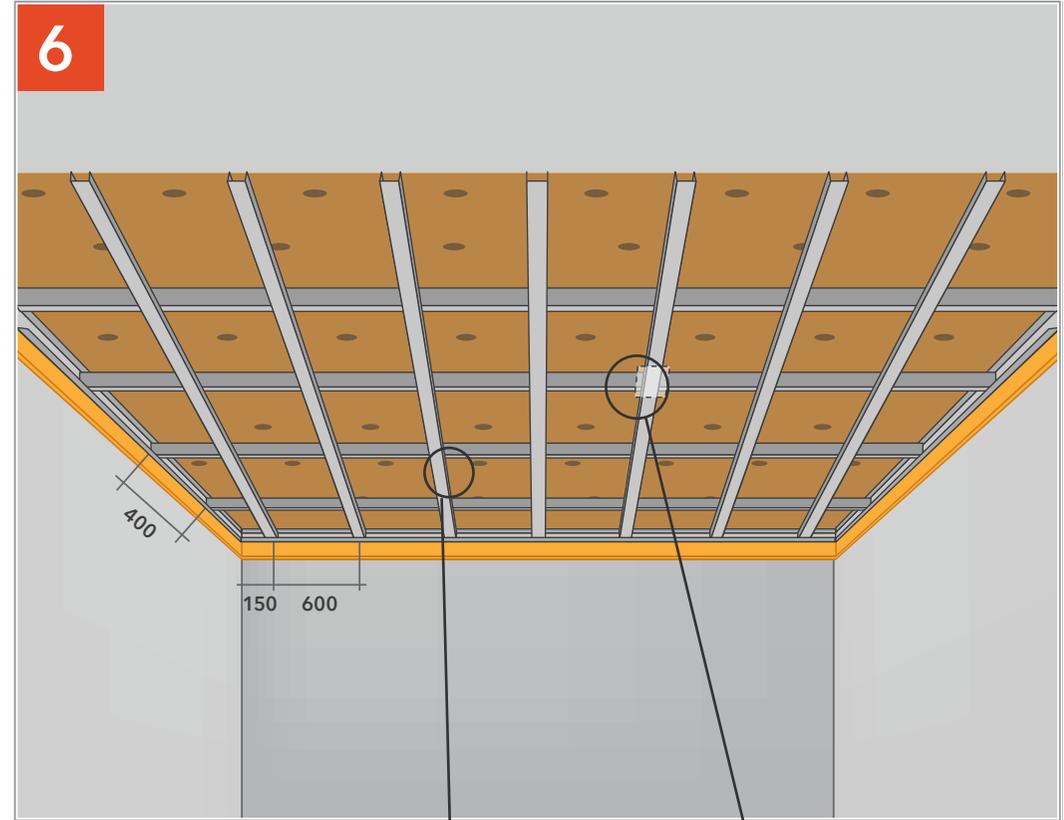


Glue the membrane with Bautger adhesive and fix it with disk-shaped dowl nails.

Fix PN profiles over StopZvuk V100 band at intervals of 1000 mm.



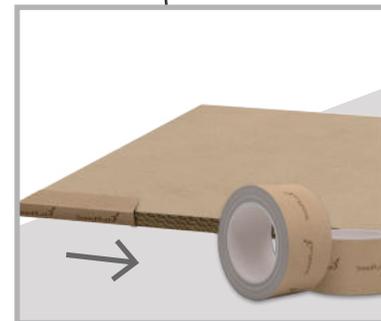
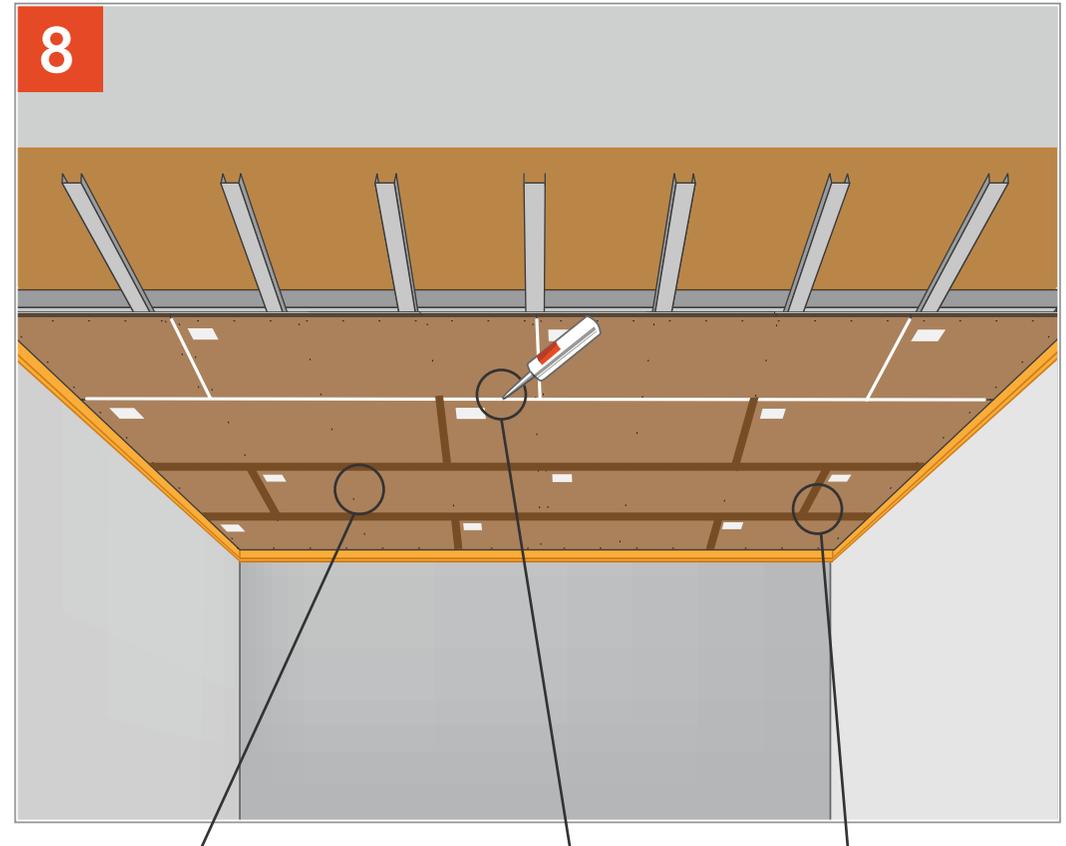
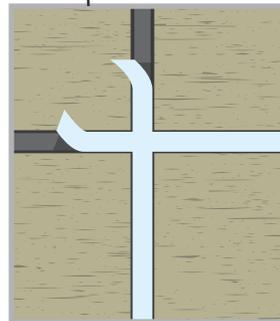
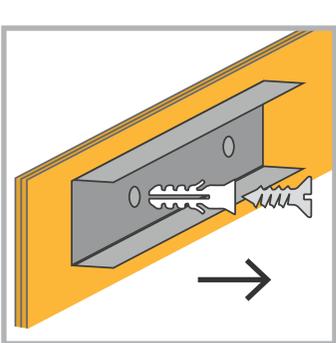
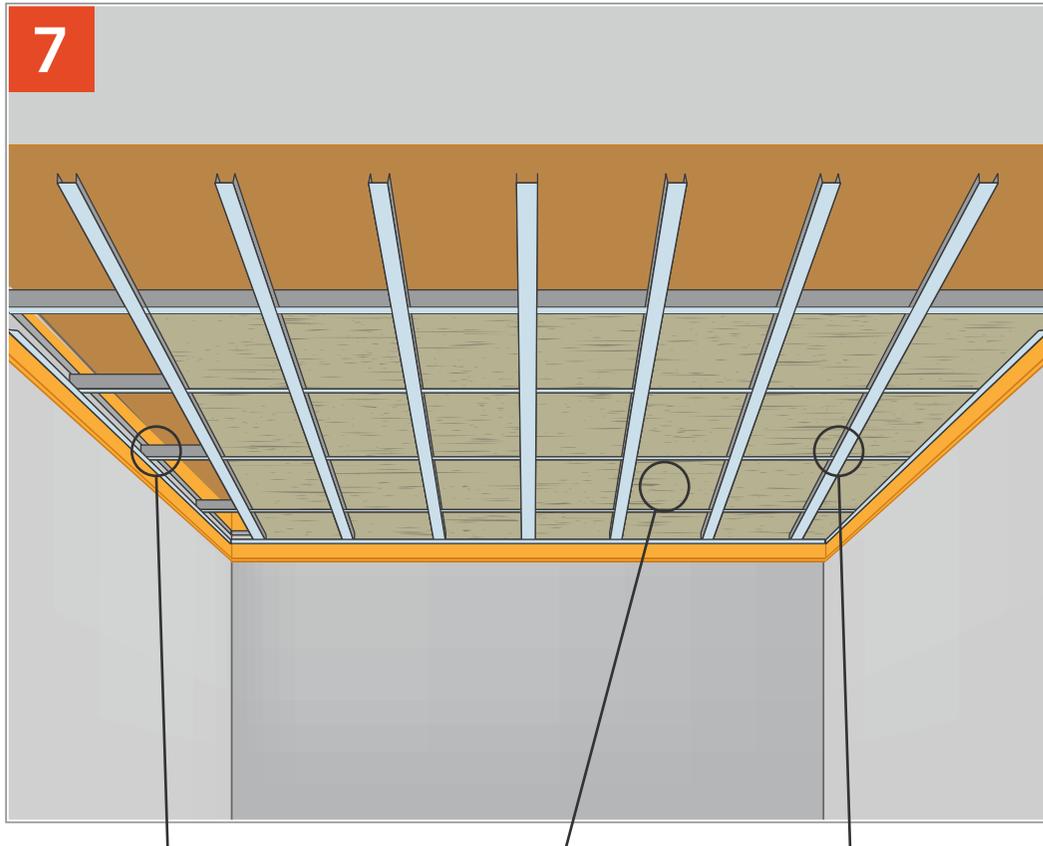
Fix anti-vibration hangers at intervals of 400 crosswise and 600 lengthwise the room.



Fix PP profiles to the anti-vibration hangers and connect them by Crab connectors.

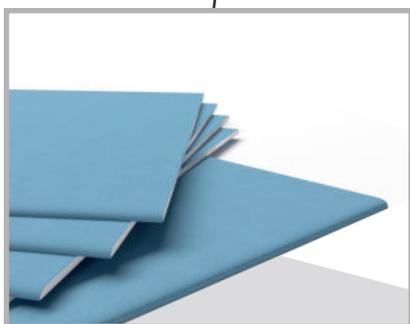
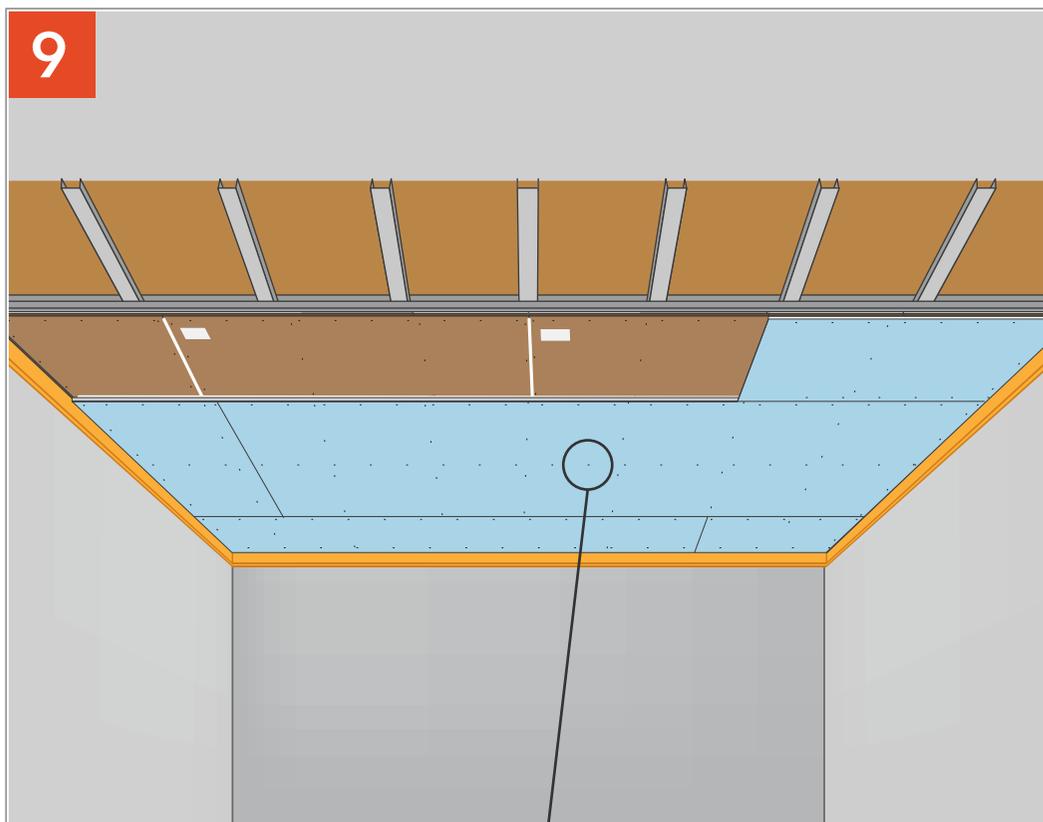
PREMIUM P CEILING SOUNDPROOFING SYSTEM

PREMIUM P CEILING SOUNDPROOFING SYSTEM

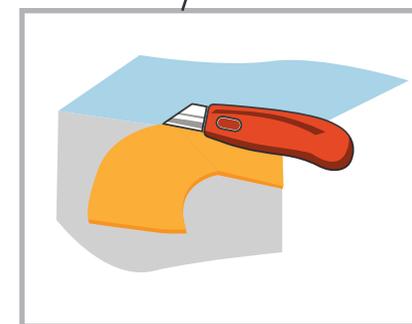
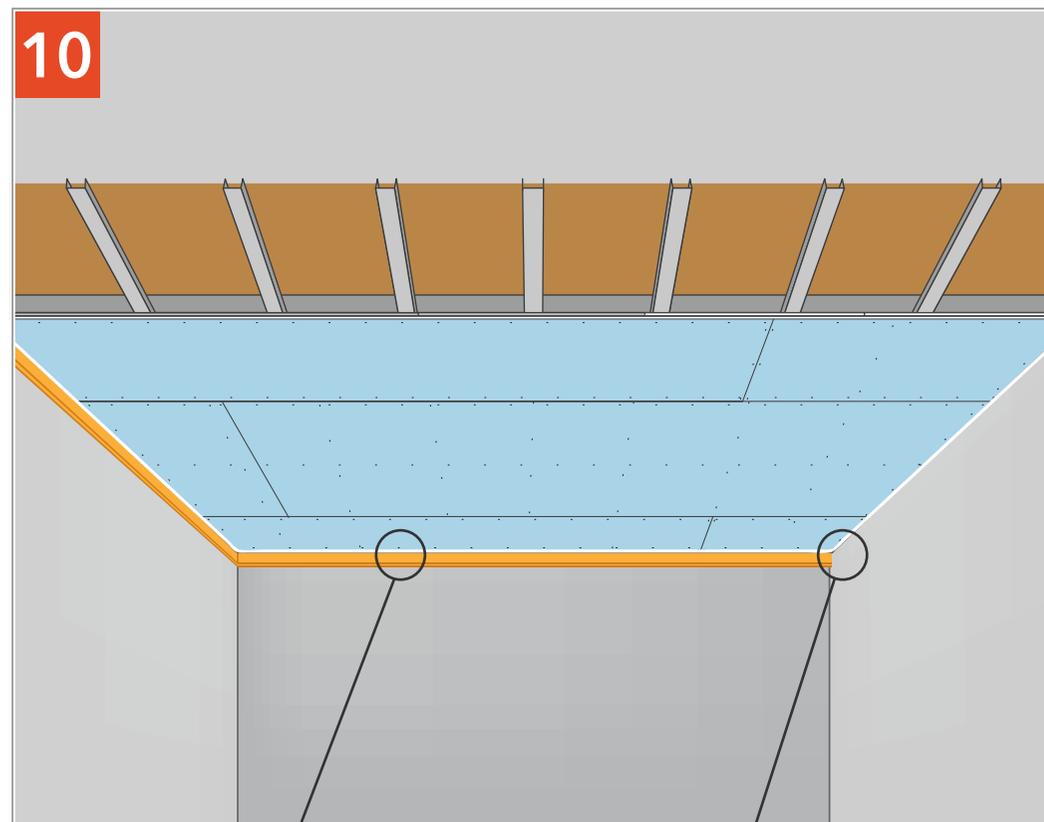


Glue vibration cushioning band to the surface of the profiles, insert StopZvuk BP boards. Remove the dowels from PN profiles.

Cover the frame with Sonoplat panels and seal the joints with Sonetic vibroacoustic sealant.



Cover with a lay of AcousticGyps soundproofing gypsum boards.



Remove excess StopZvuk V100 band and seal the perimeter with Sonetic sealant.

PREMIUM P CEILING SOUNDPROOFING SYSTEM