

CEILING SOUND INSULATION

PREMIUM M

from typical technical solutions album of Technosonus and NIISF
version TS/01.2020/RD/S/R4 type S-4.1

components:

- Tecsound FT membrane
- V100 vibration cushioning band
- Sonokrep anti-vibration hangers
- AcousticGyps PPN reinforced profiles 27/28
- AcousticGyps PP reinforced profiles 60/27
- AcousticGyps single-level connectors (Crab) for PP 60/27
- AcousticGyps extensions for PP 60/27
- Sealing band
- StopZvuk BP/Eco sound absorbing boards
- AcousticGyps soundproofing gypsum boards 12.5 mm
- Tecsound SY / Zvukoizol VEM smk membranes
- Dowel nails TC-ДГ 6x60 - Disk-shaped dowel nails
- Self-threading screws TC-XTN 3.9x23, TC-XTN 3.9x45, TC-MM 4.2x13
- Sonetic vibroacoustic sealant
- Bautger adhesive

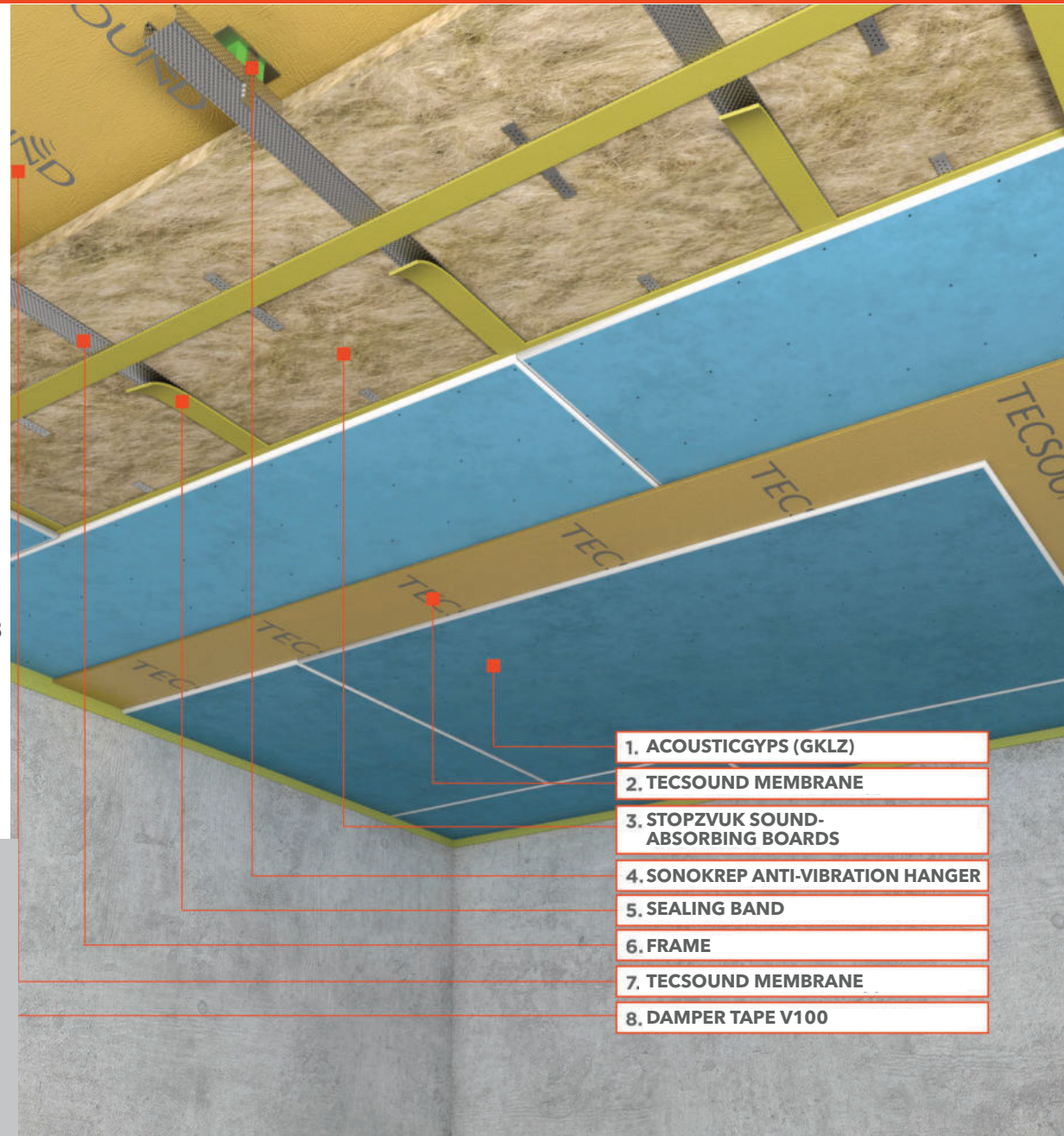
Advanced and effective soundproofing system. The system ensures sound comfort, effectively protects against airborne domestic noise and significantly reduces structure-borne noises.

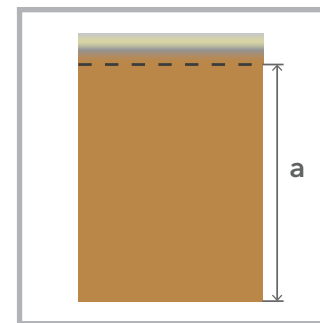
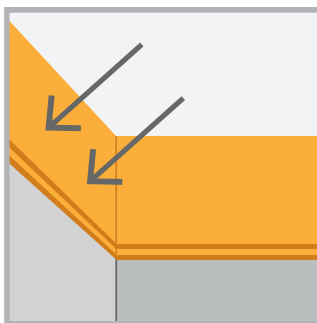
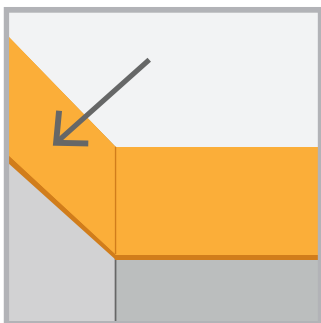
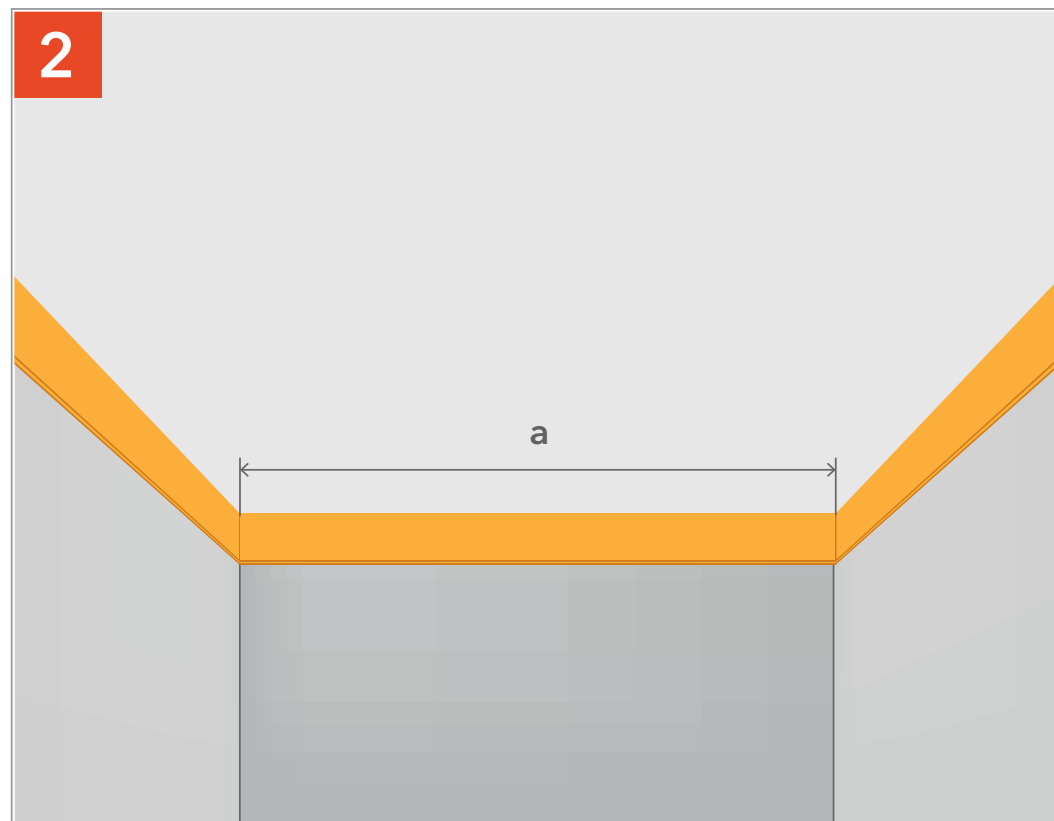
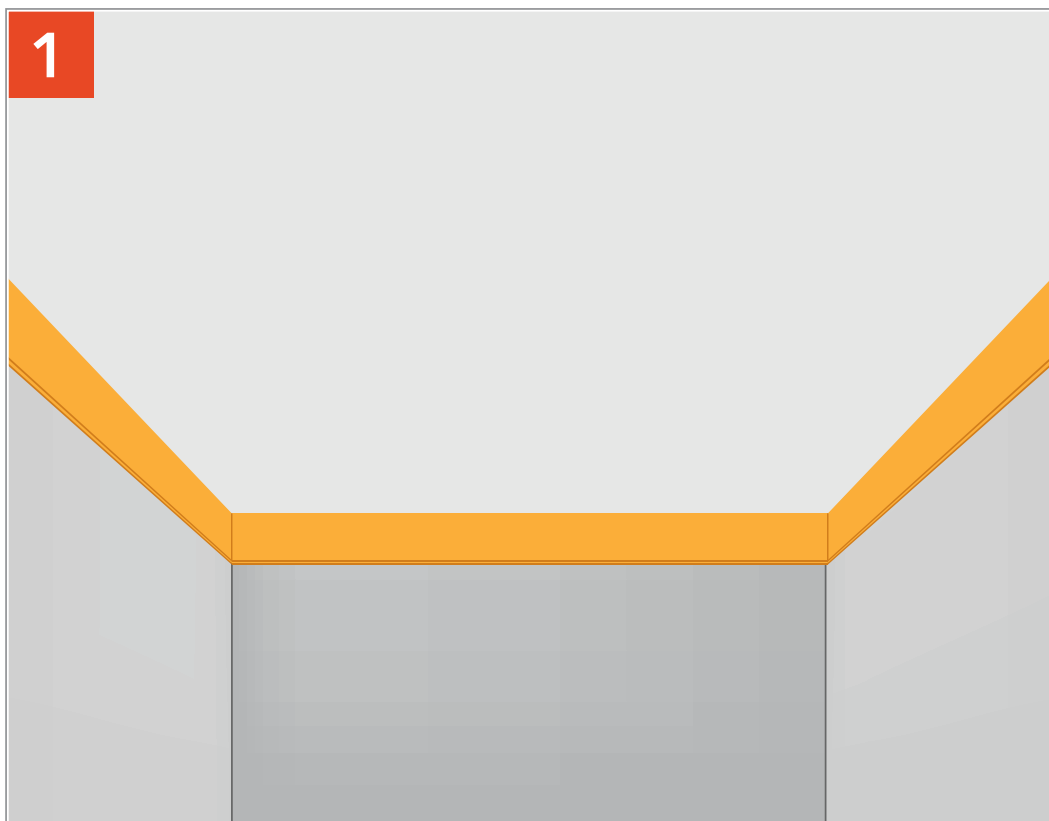
SYSTEM
THICKNESS
98,5 m

AIRBORNE
NOISE REDUCTION
Rw = 74 dB

SOUND INSULATION
ADDITION
▲ Rw = 24 dB

IMPACT NOISE
REDUCTION
▲ Lnw = 21 dB



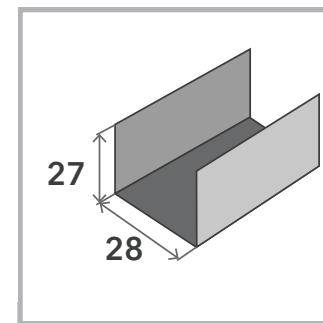
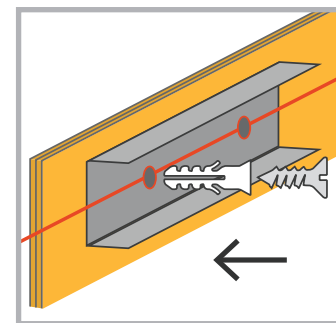
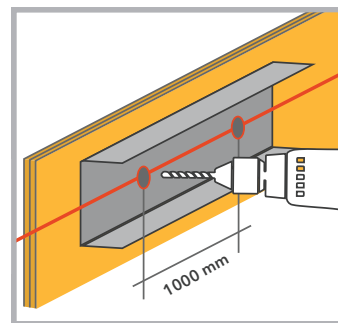
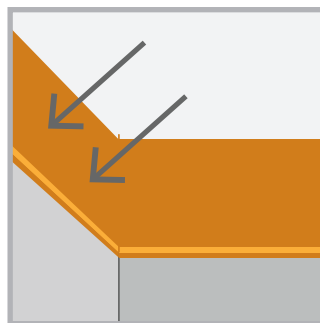
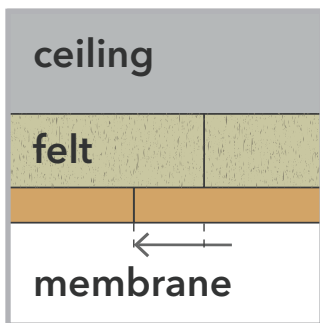
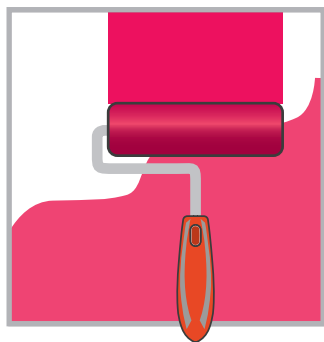
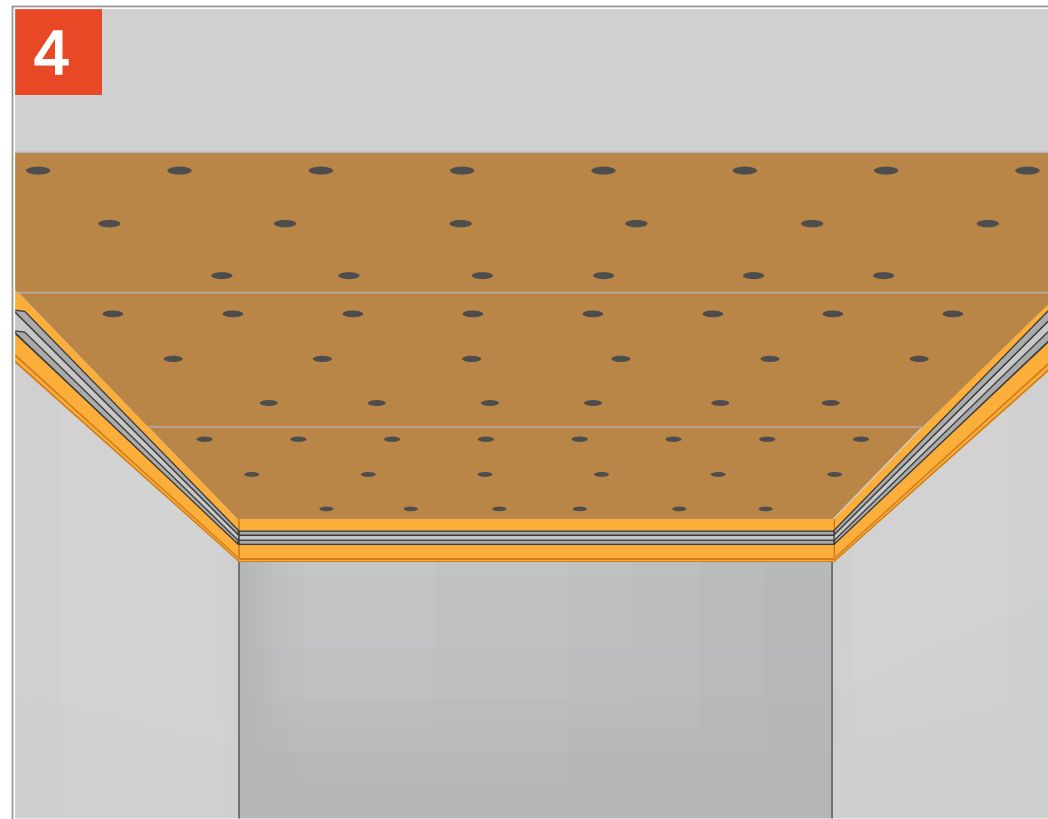
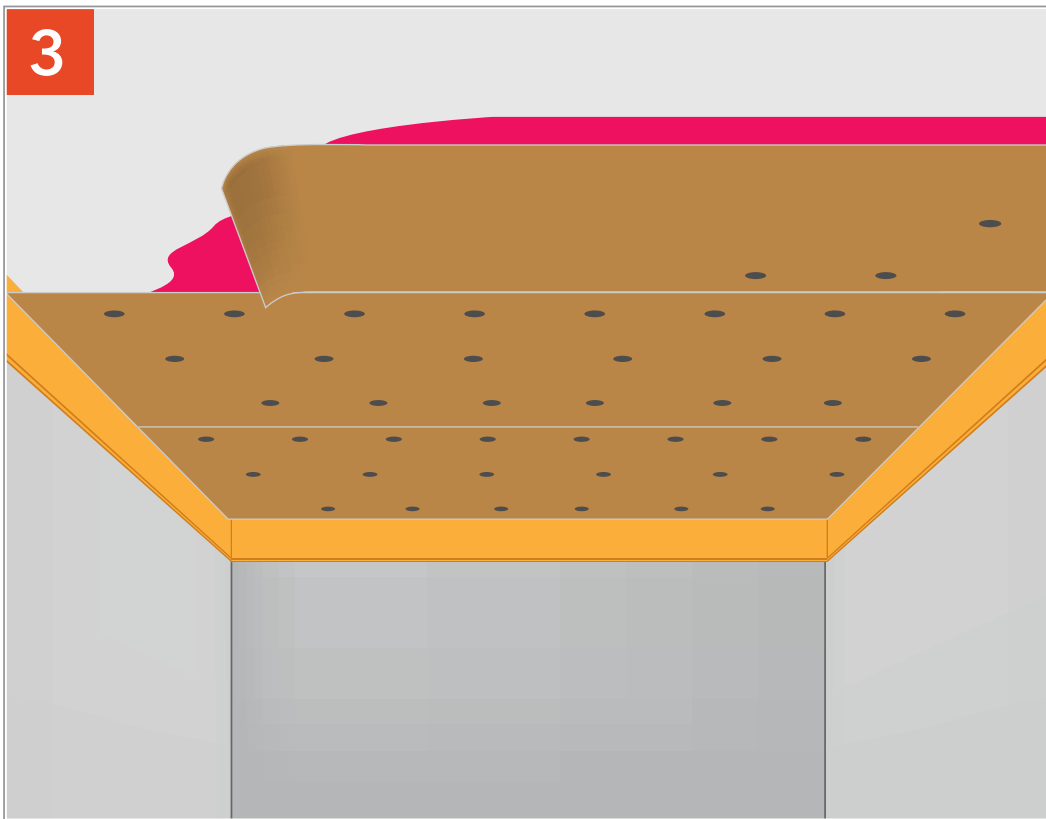


Glue StopZvuk V100 band along the perimeter of the wall with Sonetic vibroacoustic sealant or Bautger adhesive.

Measure a piece of Tecsound FT membrane.

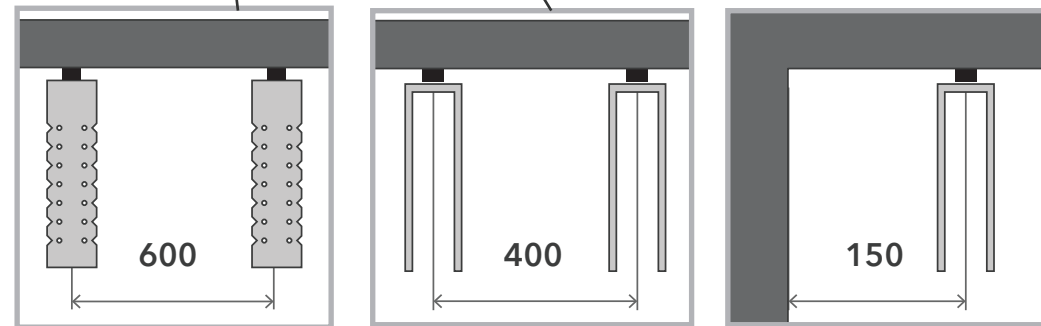
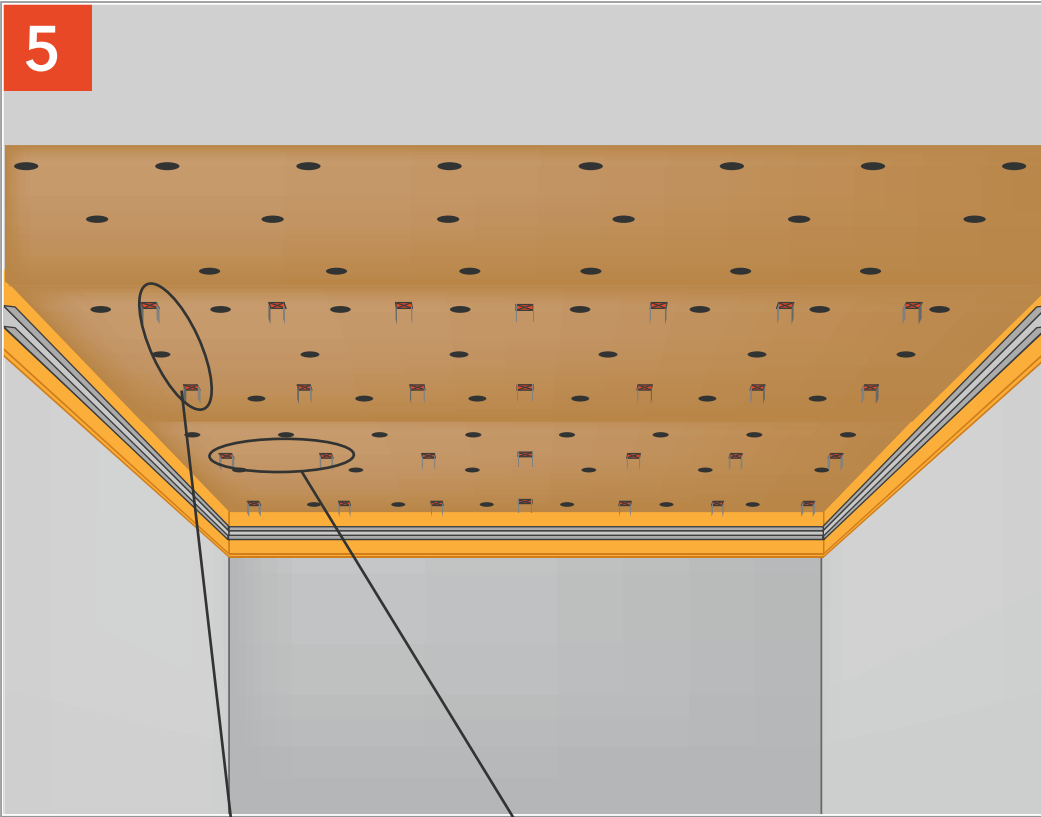
PREMIUM M CEILING SOUNDPROOFING SYSTEM

PREMIUM M CEILING SOUNDPROOFING SYSTEM

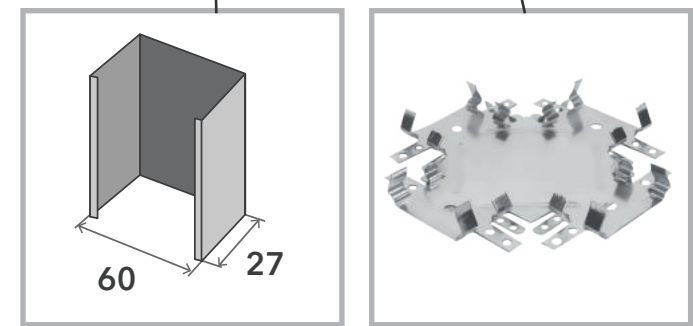
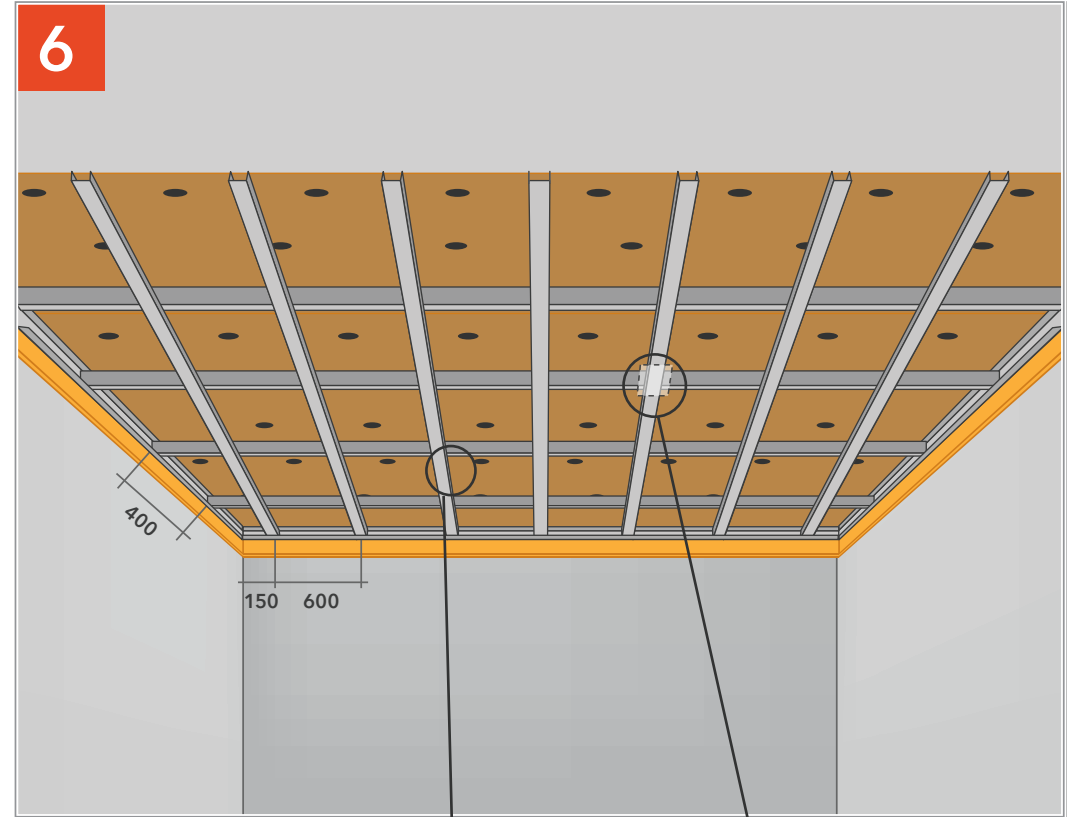


Glue the membrane with Bautger adhesive and fix it with disk-shaped dowel nails.

Fix PN profiles over StopZvuk V100 band at intervals of 1000 mm.



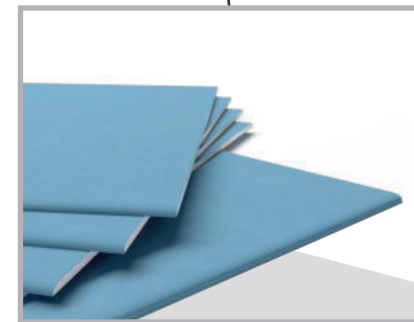
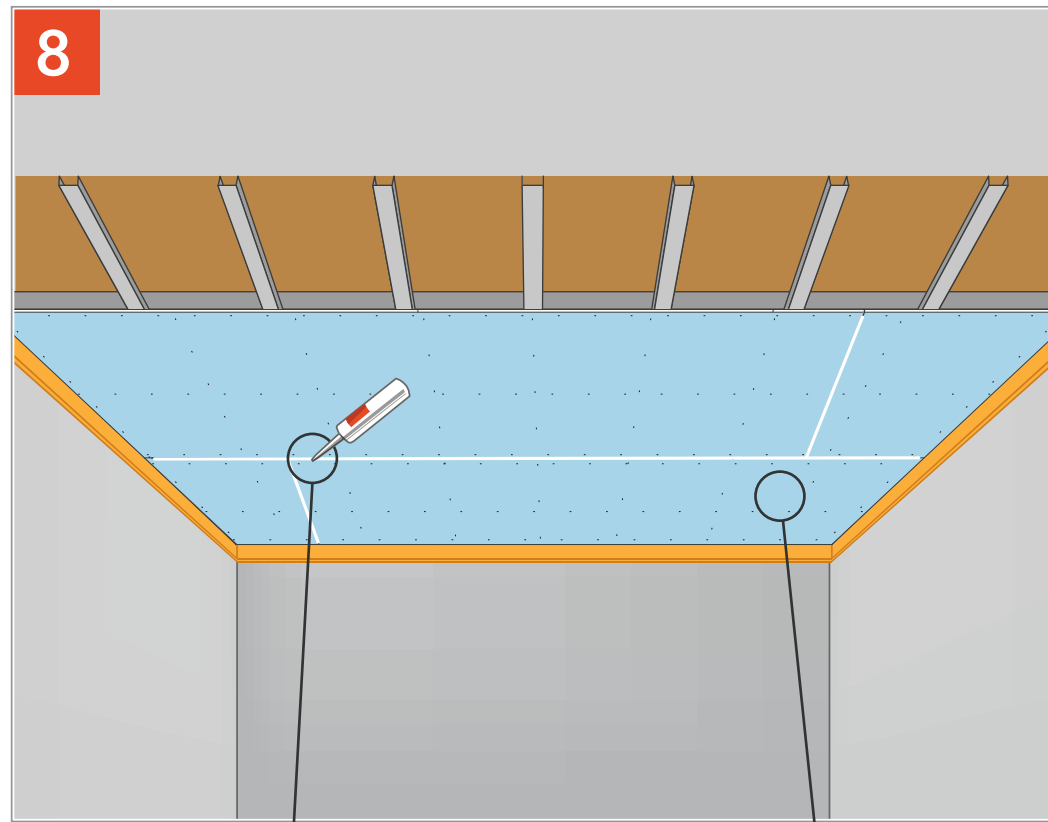
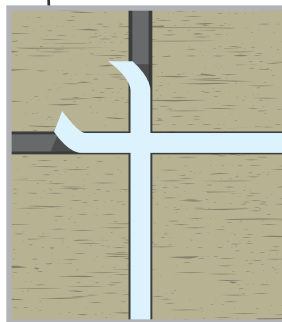
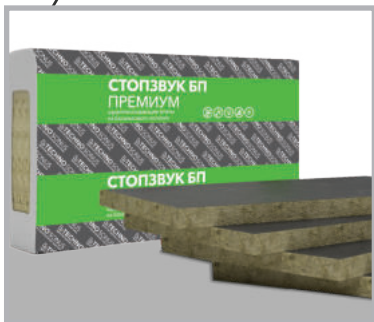
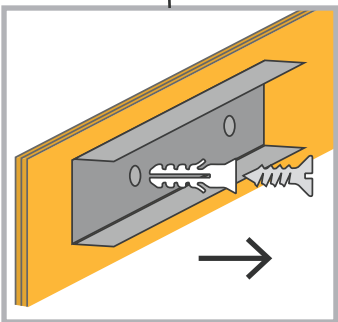
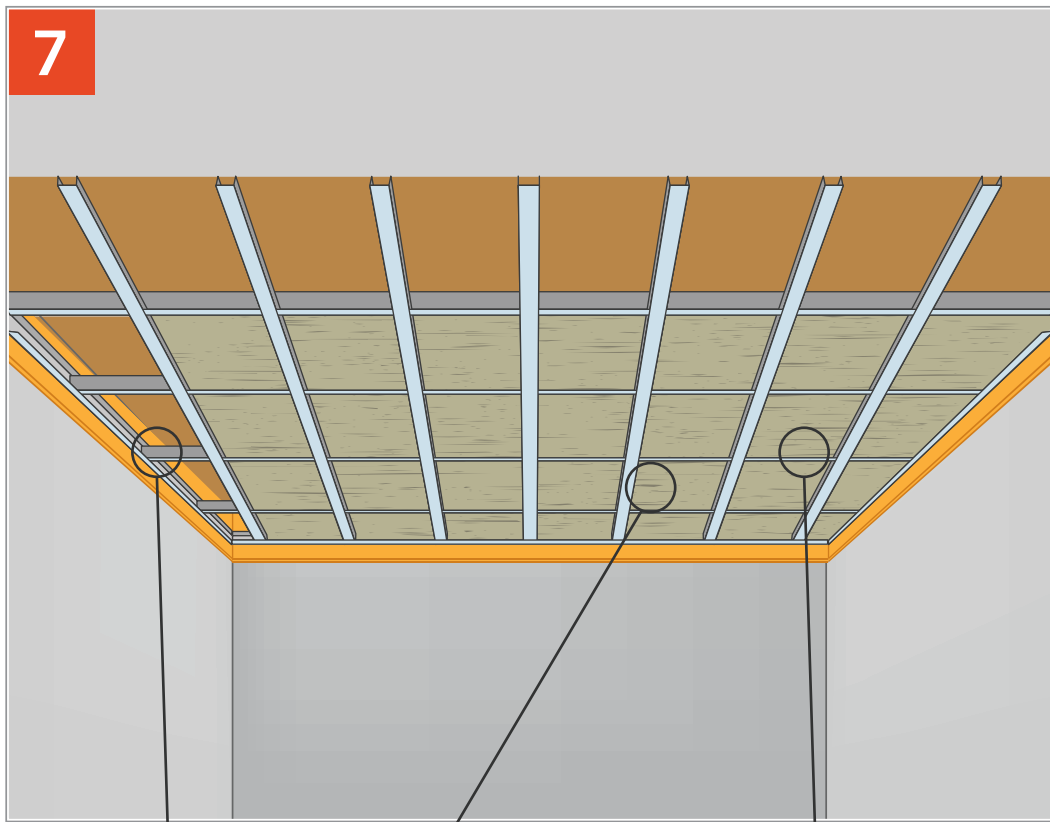
Fix anti-vibration hangers at intervals of 400 crosswise and 600 lengthwise the room.



Fix PP profiles to the anti-vibration hangers and connect them by Crab connectors.

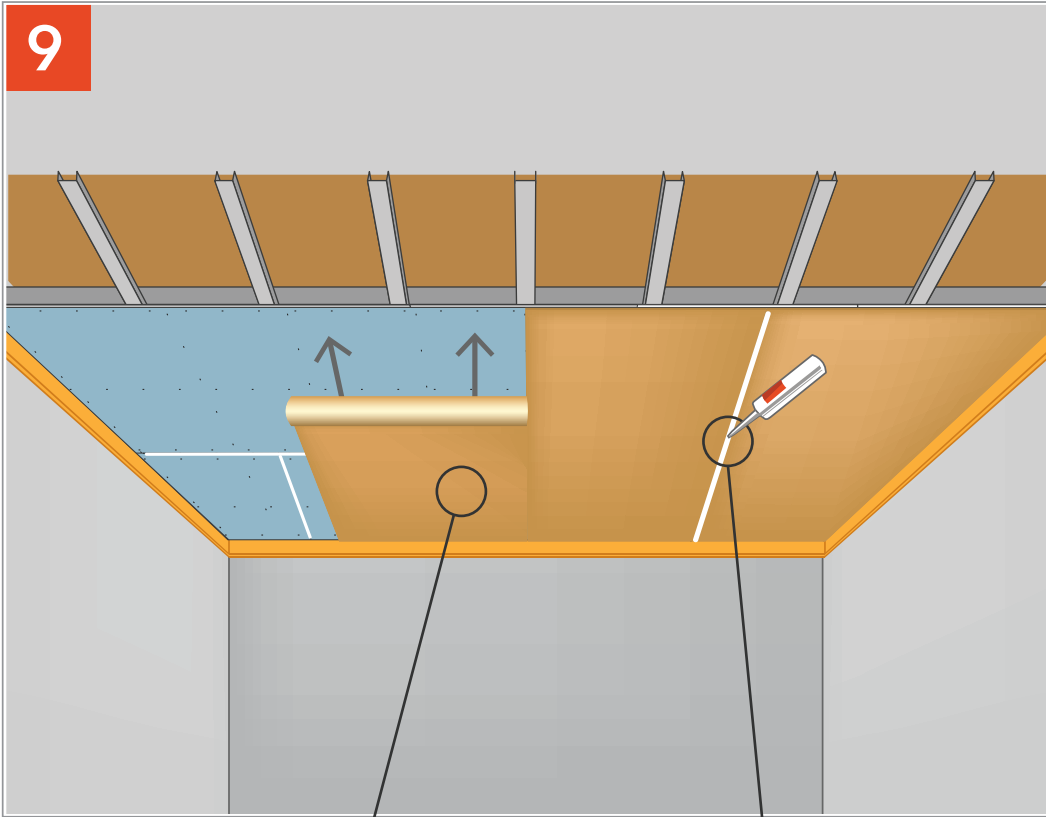
PREMIUM M CEILING SOUNDPROOFING SYSTEM

PREMIUM M CEILING SOUNDPROOFING SYSTEM

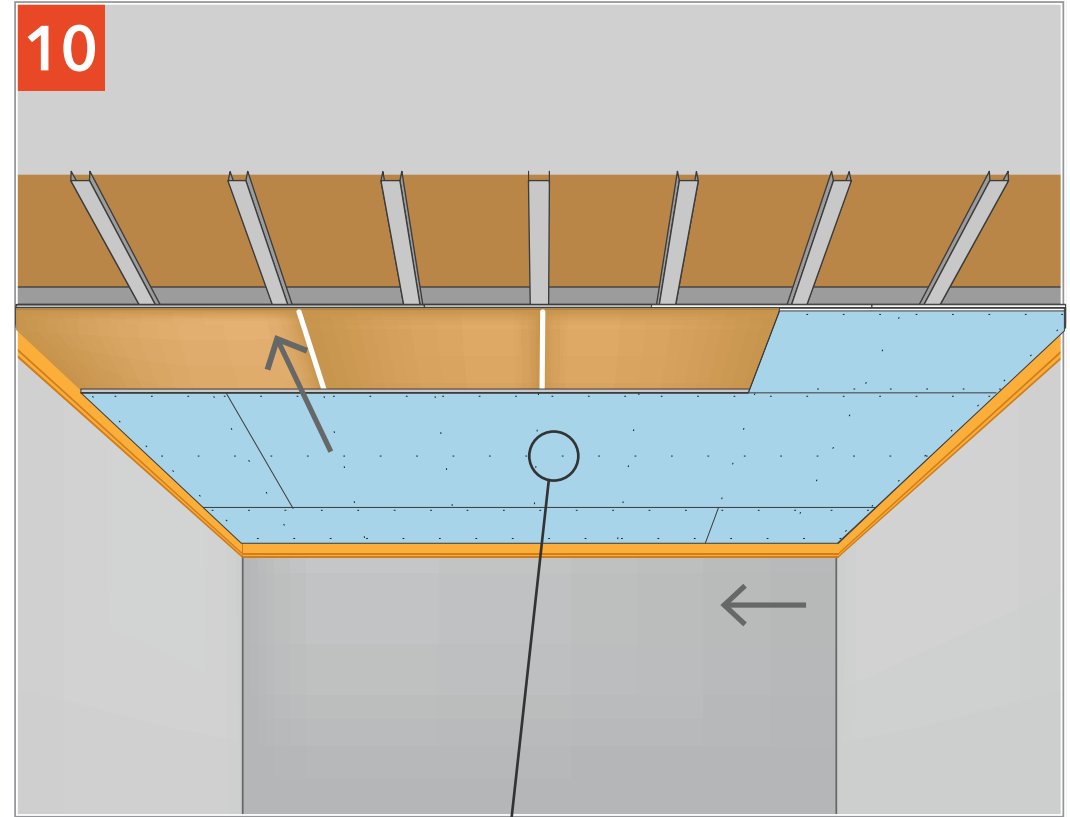


Glue vibration cushioning band to the surface of the profiles, insert StopZvuk BP boards. Remove the dowels from PN profiles.

Cover the frame with AcousticGyps soundproofing gypsum boards and seal the joints with Sonetic vibroacoustic sealant.



Glue membrane to the layer of AcousticGyps soundproofing gypsum boards.
Seal the joints with Sonetic vibroacoustic sealant.



Lay the second layer of AcousticGyps soundproofing gypsum boards.

PREMIUM M CEILING SOUNDPROOFING SYSTEM

