

CEILING SOUND INSULATION

PREMIUM M1


from typical technical solutions album of Technosonus and NIISF
version TS/01.2020/RD/S/R4 type S-4.1

components:

Tecsound membrane (Tecsound FT)
V-100 vibrodamping tape
Sonokrep vibrohangers
PPN 27/28, PP 60/27 AcousticGyps reinforced profile
One-level connector (crab) for PP 60/27 AcousticGyps
AcousticGyps extender for PP 60/27
DB sealing tape
StopZvuk BP/Eco sound-absorbing board
AcousticGyps M1 panel · AcousticGyps GKLZ 12.5 mm
TS-DG 6x60 plate-shaped dowel pin · Vibrowasher
TS-XTN 3.9x38, TS-XTN 3.9x55, TS-MM 4.2-13 self-tapping screws
Sonetik vibroacoustic sealant · Bautger glue

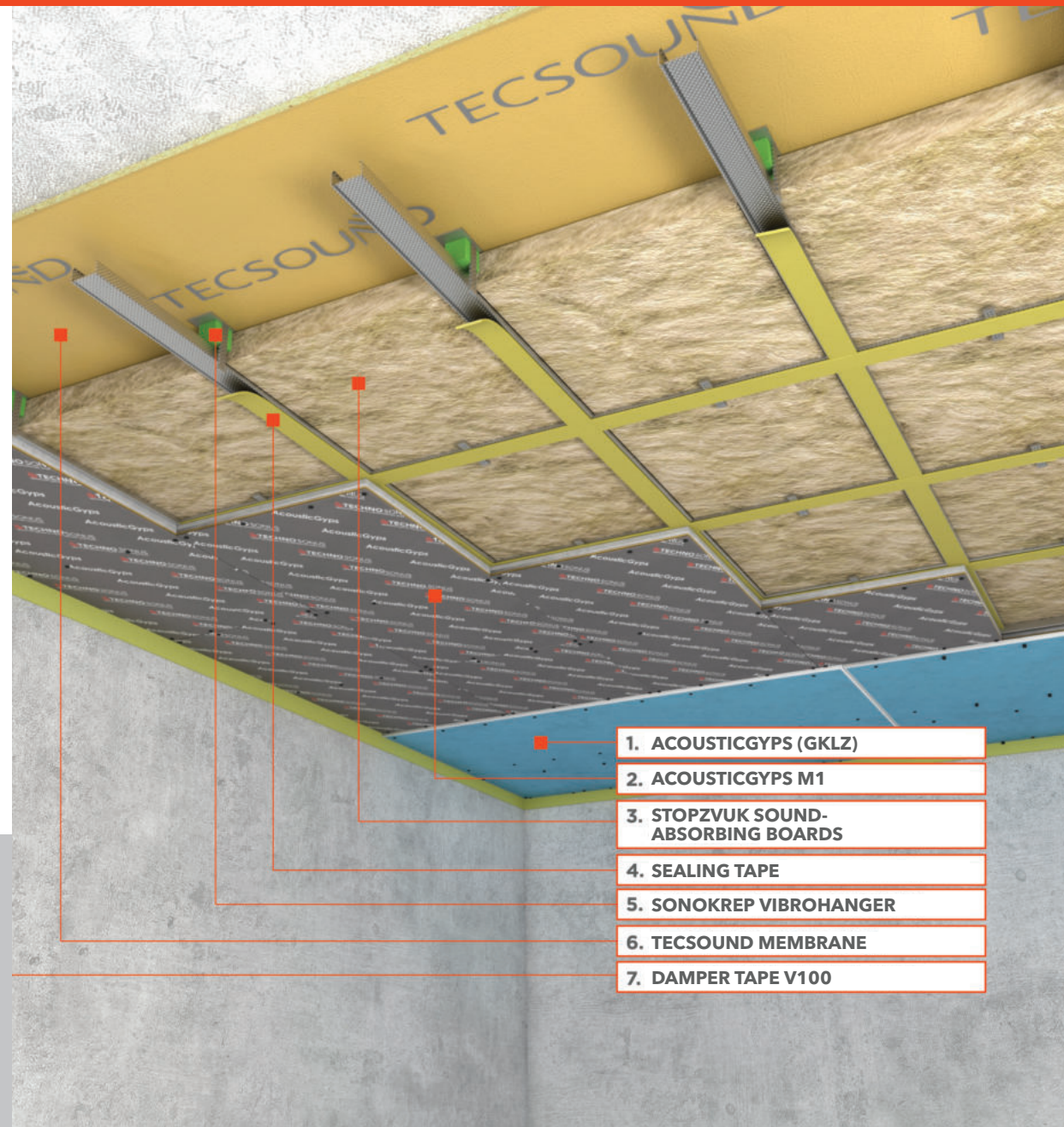
Efficient system with maximum sound absorption and sound insulation index. For use both in high comfort level residential buildings and apartments, and in special premises (recording studios, meeting rooms, cinema and concert halls, restaurants, karaoke bars, etc.).

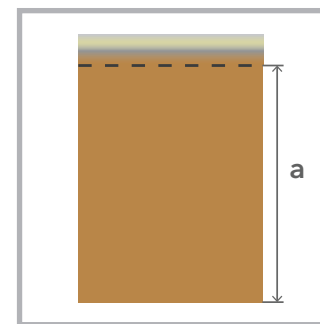
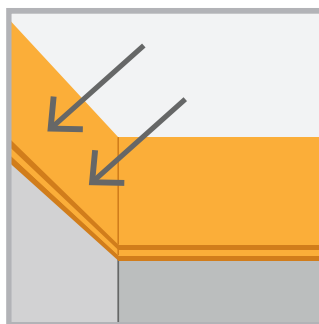
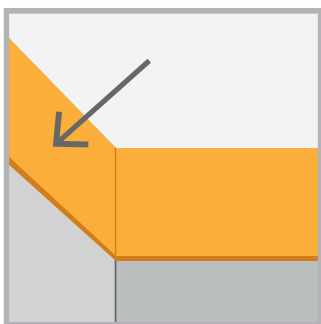
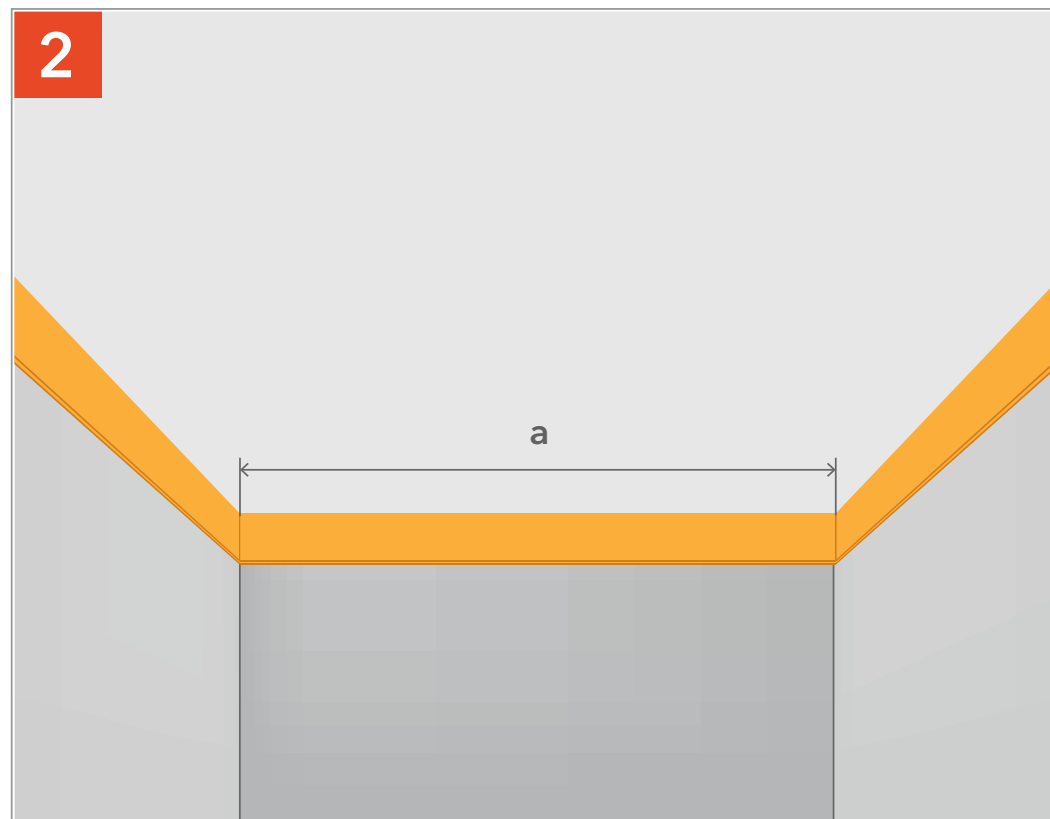
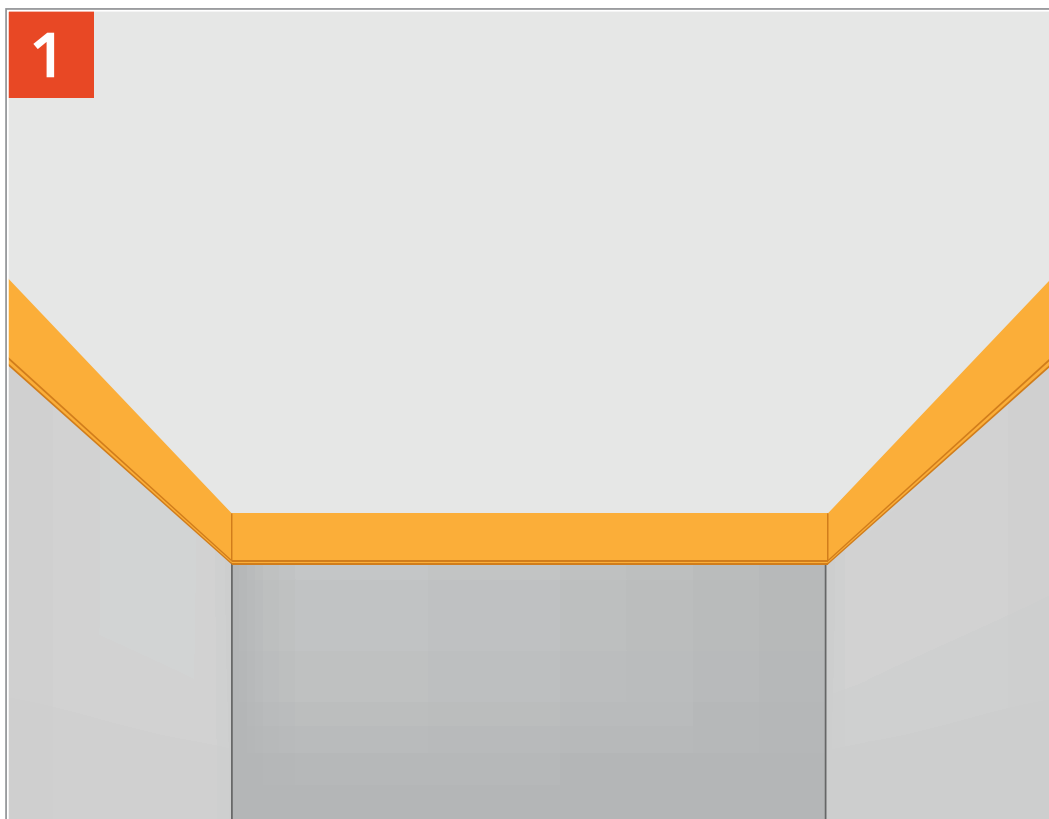
 SYSTEM
THICKNESS
98,5 mm

 AIRBORNE
NOISE REDUCTION
Rw = 75 dB

 SOUND INSULATION
ADDITION
▲ Rw = 24 dB

 IMPACT NOISE
REDUCTION
▲ Lnw = 21 dB



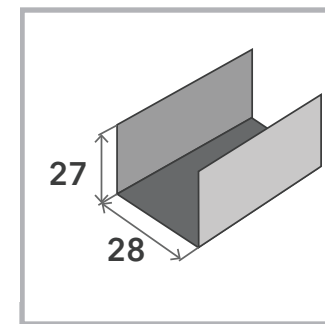
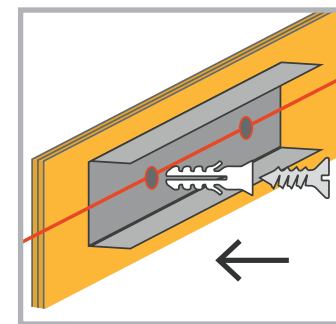
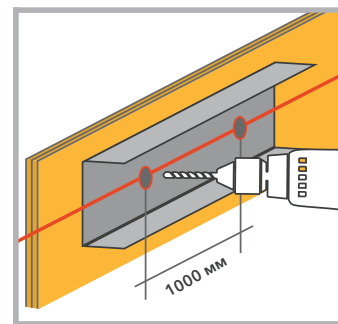
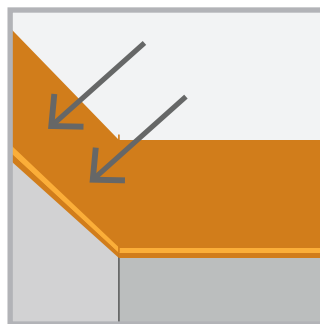
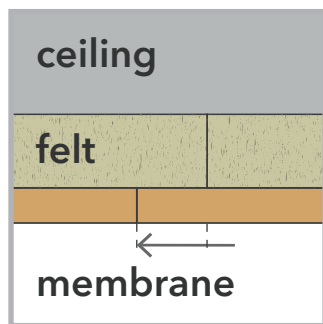
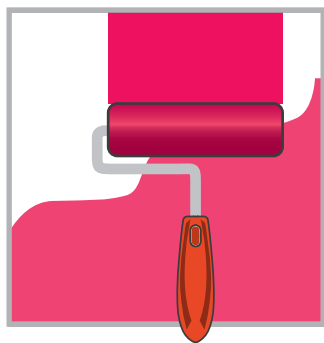
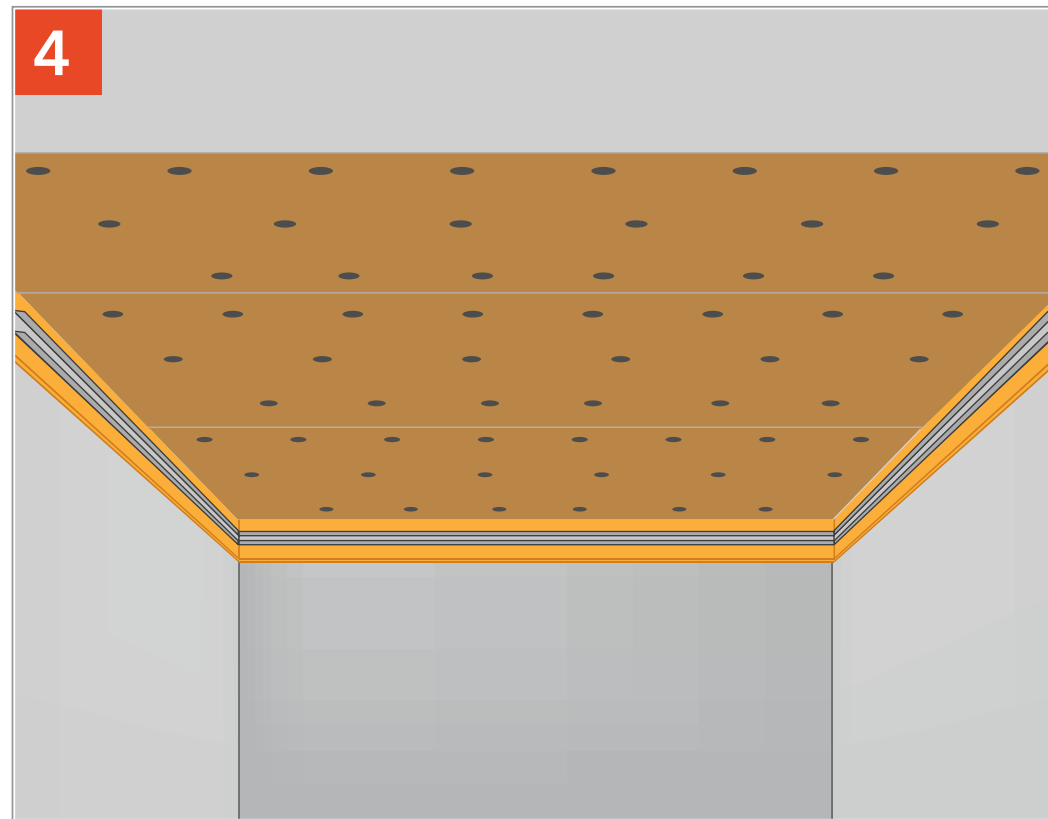
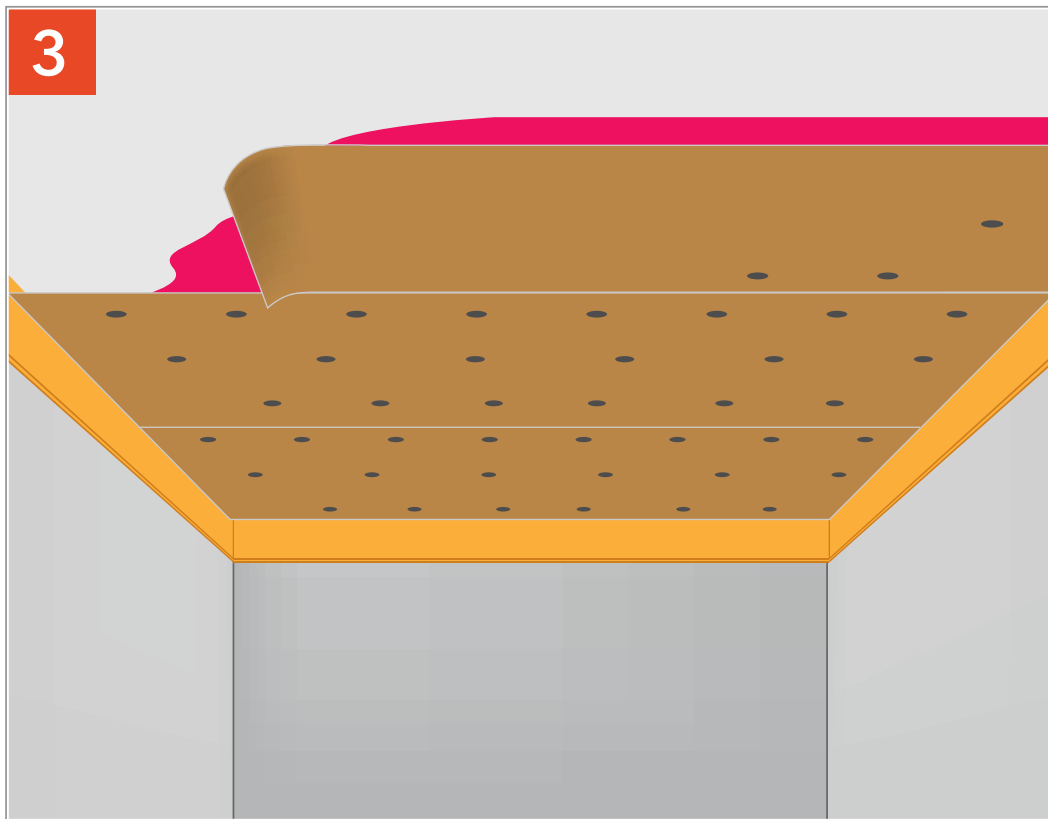


Glue perimeter of the wall with StopZvuk V100 tape using Sonetik sealant or Bautger glue.

Measure out Tecsound FT sound insulation membrane.

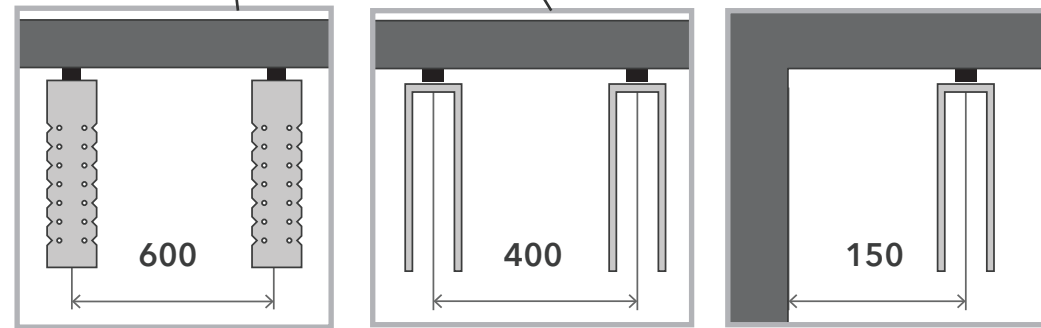
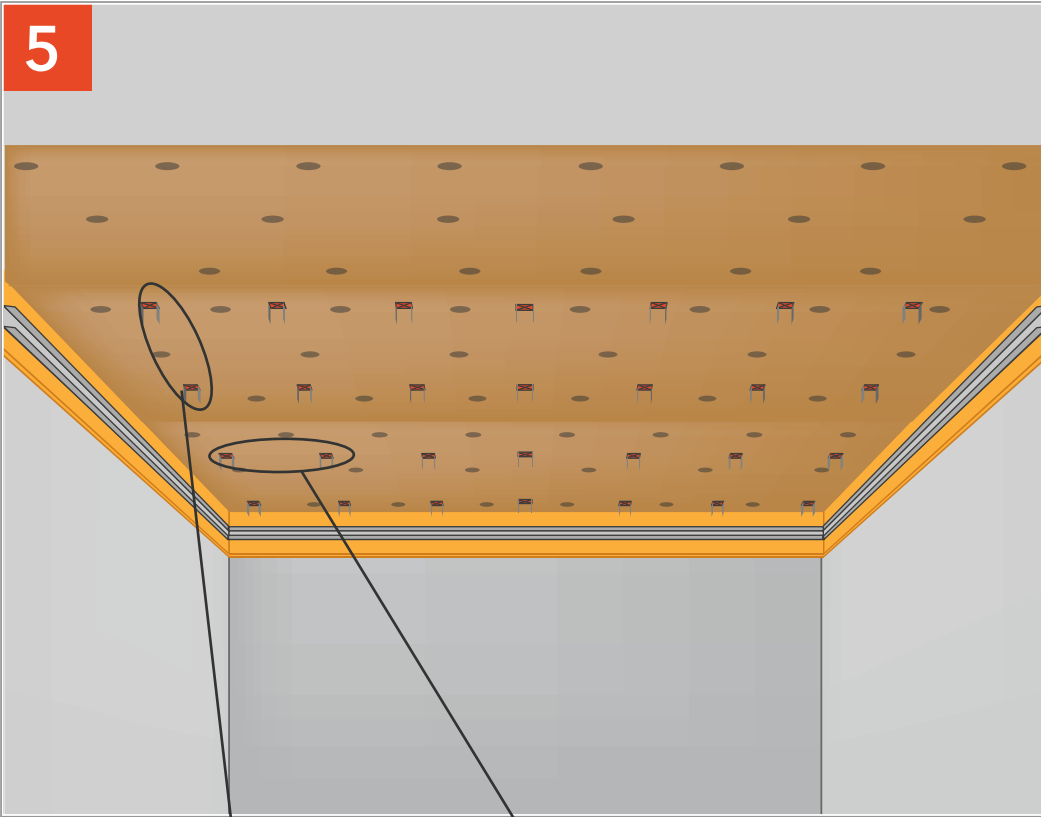
PREMIUM M1 CEILING SOUND INSULATION

PREMIUM M1 CEILING SOUND INSULATION

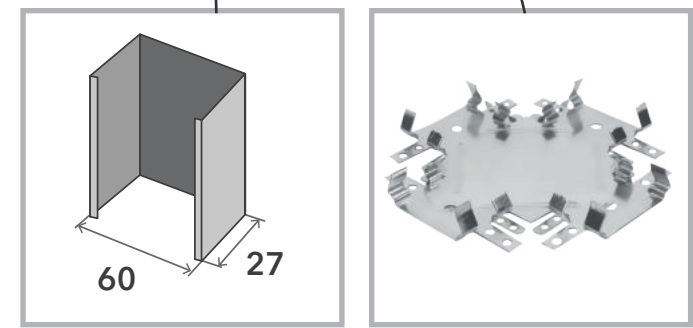
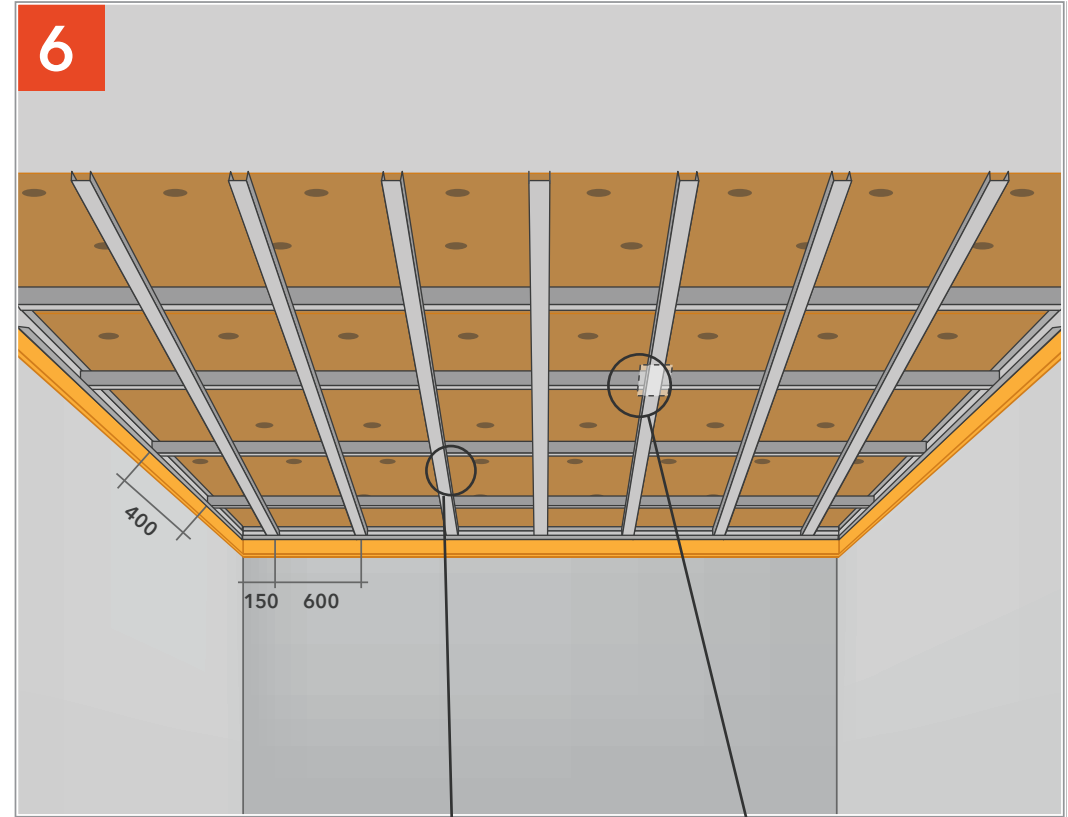


Mount the membrane using Bautger glue and fix with plate-shaped dowel pins.

Fix PN profile through StopZvuk V100 tape with 1000 mm pitch.



Mount vibrohangers with step 400 across and 600 along the room.

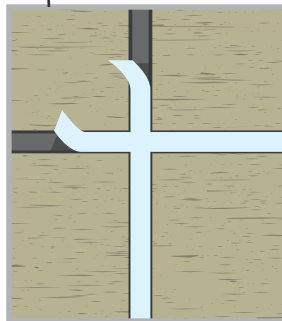
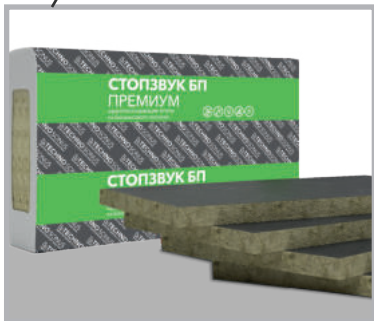
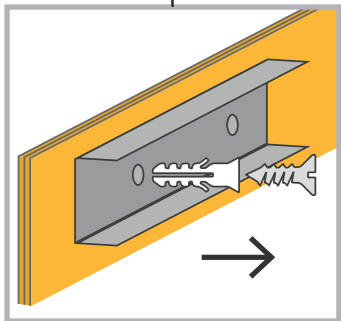
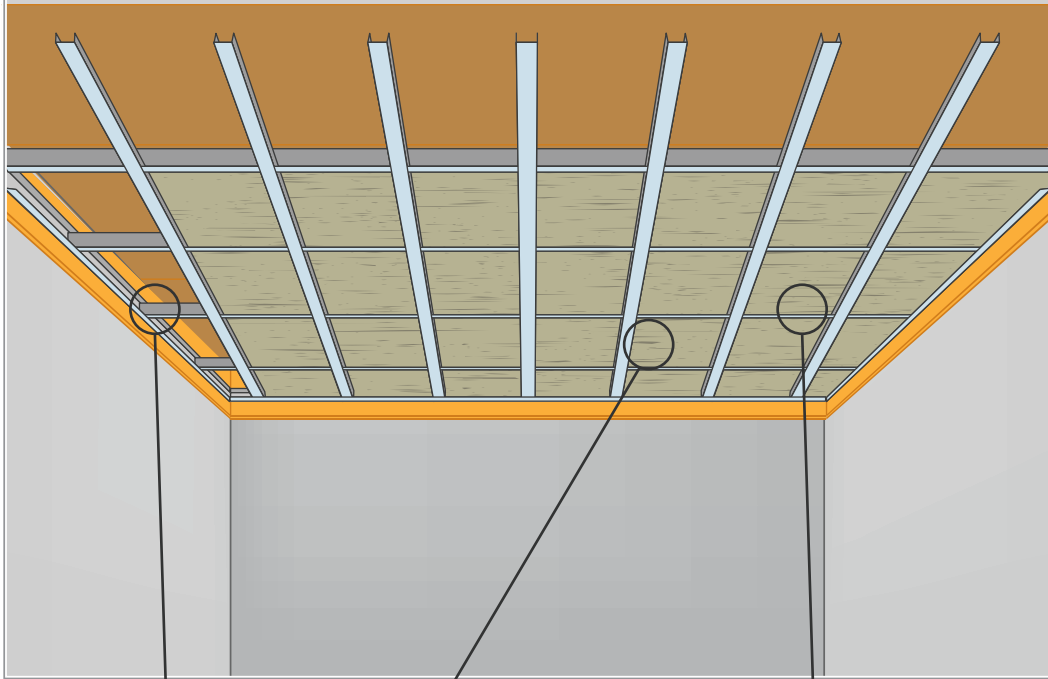


Fasten PP profile to vibrohangers and connect them together using a single-level connector (crab).

PREMIUM M1 CEILING SOUND INSULATION

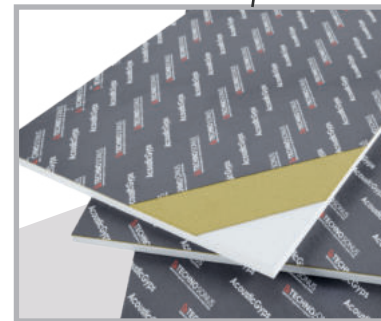
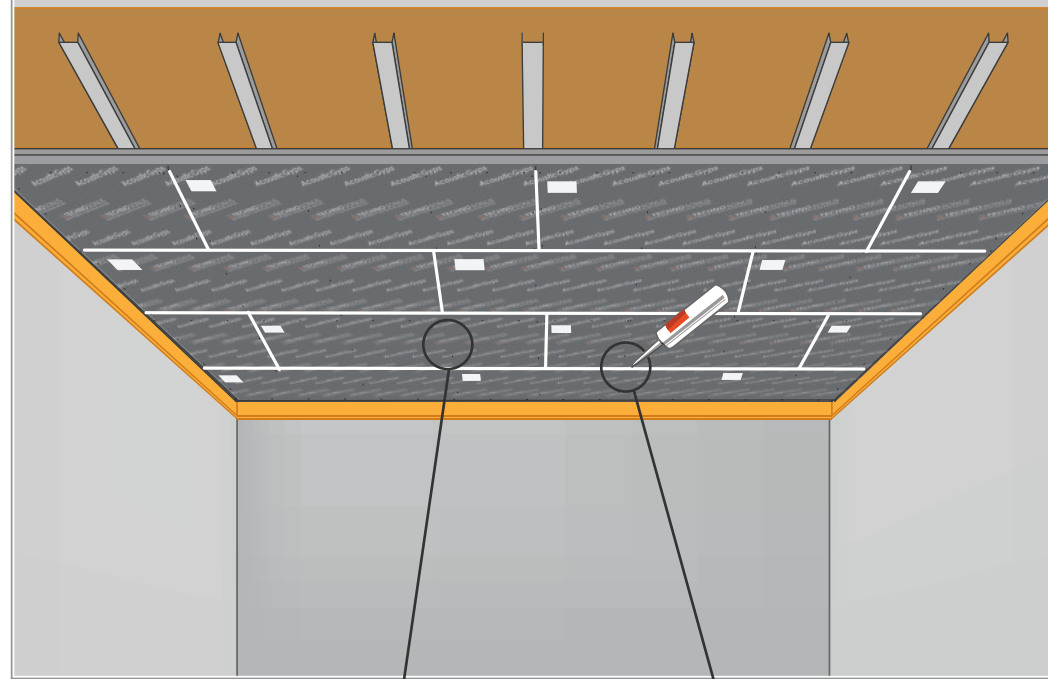
PREMIUM M1 CEILING SOUND INSULATION

7

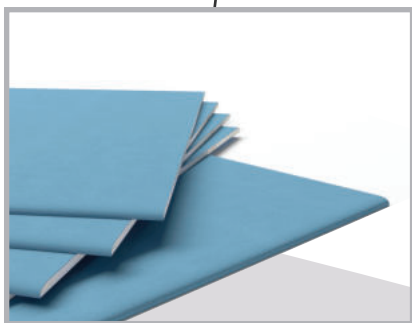
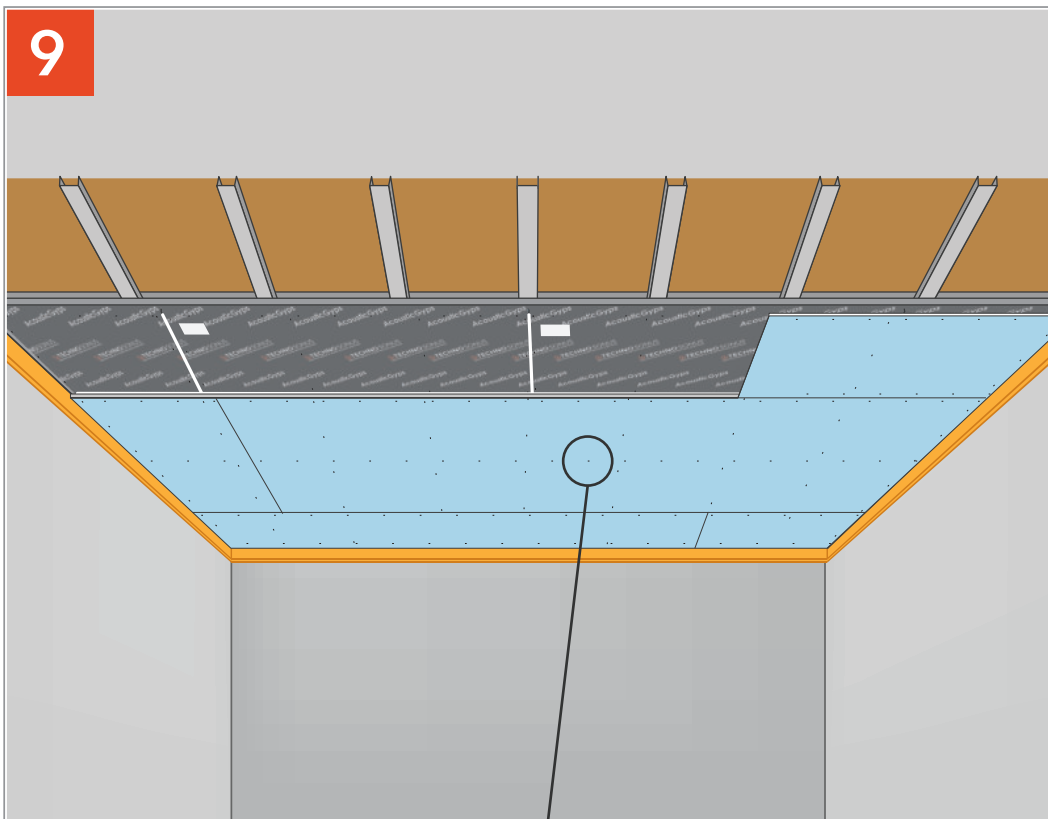


Glue damper tape on the surface of the profile, fill the space with StopZvuk BP boards. Remove dowel pins from PN profile.

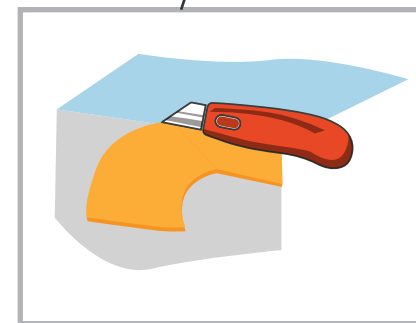
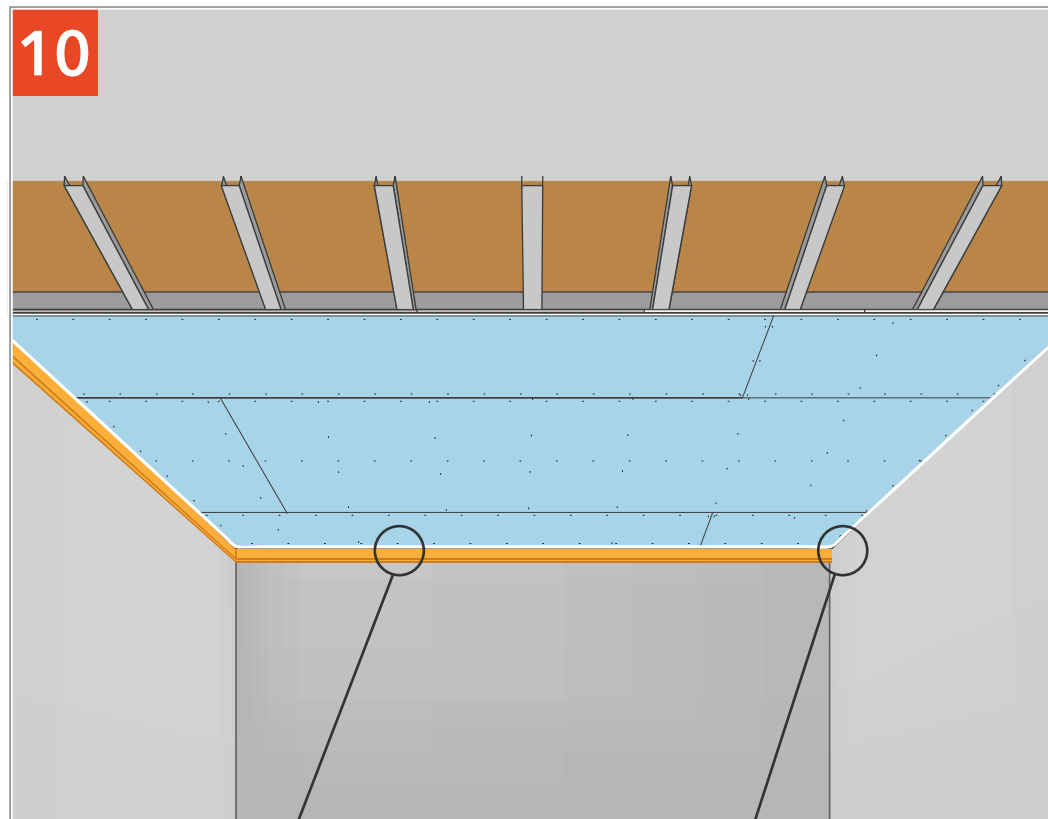
8



Mount AcousticGyps GKLZ sheets on the frame, fill the joint with Sonetik vibroacoustic sealant.



Mount a layer of AcousticGyps GKLZ.



Remove excess of StopZvuk V100 tape and seal the perimeter with Sonetik sealant.

PREMIUM M1 CEILING SOUND INSULATION